



by  **LUTRON**

Lighting Products from



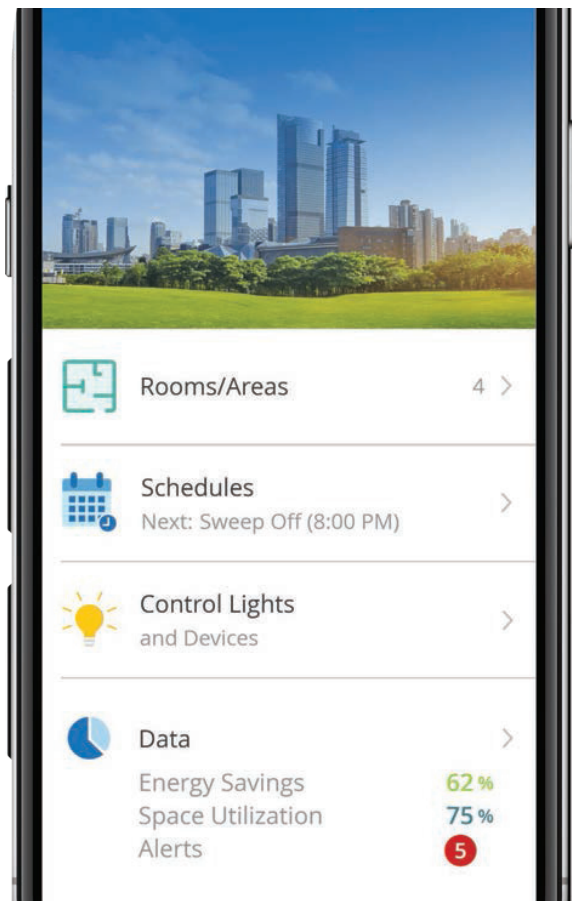
Simple, scalable, wireless lighting control

How can you make every office, school, or university campus an efficient, comfortable and productive place to work or learn?

Vive is the answer.

Vive by Lutron is a simple, scalable, wireless control that can be installed in a single space or throughout an entire campus. It's designed to meet today's energy codes, be used in new construction or retrofit situations, and meet your budgetary needs.

And with a wide family of products – including sensors, remotes, load controllers, and an available software management suite – Vive provides the flexibility to select the products you want and handle any on-site challenges with ease.





Wireless Occupancy/ Vacancy Sensors

- Occupancy/vacancy sensors turn lights on and/or off for convenience and energy savings
- Wireless devices can be mounted to any surface with no wiring needed
- Controls communicate wirelessly to the controls in the ceiling
- 10-year battery life



Wireless Occupancy Sensor
Ceiling Mounted

Daylight Harvesting Sensors

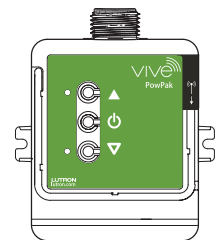
- Save energy by dimming the lights when natural light is available
- Wireless devices can be mounted to any surface with no wiring needed
- 10-year battery life



Wireless Daylight sensor
Ceiling Mounted

PowPak

- Controls up to 60 mA of 0 – 10 V- controlled fixtures together
- Switches up to 8 A total
- 0 – 10 V- control link automatically sources or sinks to the third party fixtures
- Configurable high- and low-end trim
- Receives wireless inputs from up to 10 Pico remote controls, 10 Radio Powr Savr occupancy / vacancy sensors, and 1 Radio Powr Savr daylight sensor
- Utilizes Lutron Clear Connect RF Technology; refer to model number chart on the next page for frequency band data
- Mounts to the exterior of a US-style junction box through a standard-size knockout



PowPak



Wireless Daylight sensor



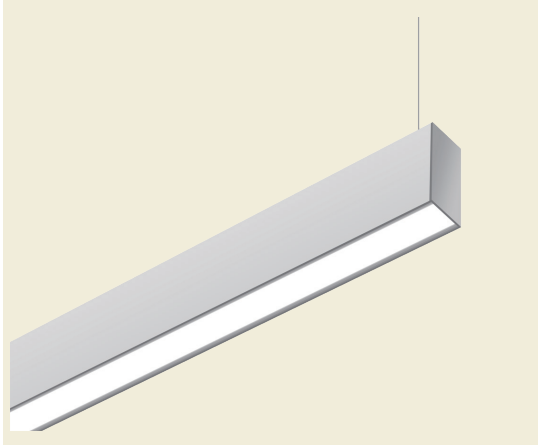
Wireless Occupancy Sensor



For a list of all Vive wireless solutions product model numbers and pricing see lutron.com/vive

Typic Compatible Products

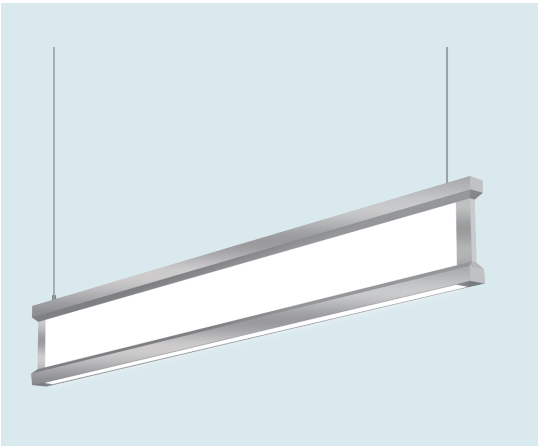
All our 0-10V dimming products can be used with the wireless Vive lighting control system. Few products are listed here for reference. Choose more products at www.abovealllighting.com



Magic Linear



LED Troffer



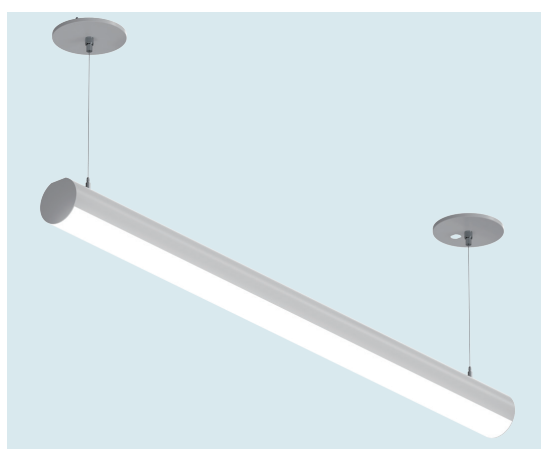
Vagary Pendant



Flat Panel



Focus Round



Britube Linear

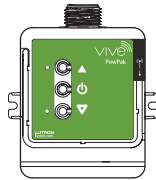
System Diagram



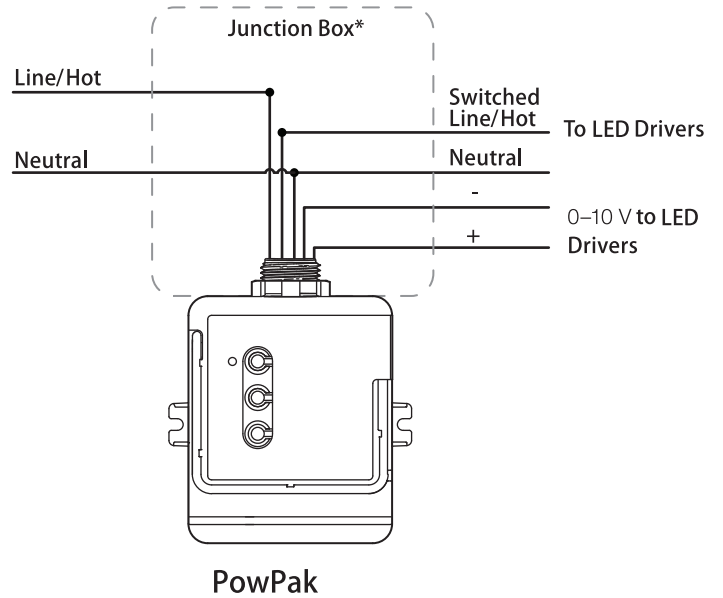
Radio Powr Savr Occupancy Sensor (up to 10)



Radio Powr Savr Daylight Sensor (up to 1)



PowPak



How it works

Users need to deploy dimming wires in the power grid. Each group is equipped with a PowPak. Connect the dimming wires of each group to a same PowPak, then the PowPak receives wireless signals to control this group of fixtures. These fixtures are controlled in groups. Each fixture must be equipped with a set of external sensor and PowPak if you want to control a single fixture.

