

SUITABLE FOR MODEL



IMAGE MAY VARY FROM ACTUAL PRODUCT

SAFETY INSTRUCTION 

READ CAREFULLY BEFORE INSTALLING FIXTURE. PLEASE KEEP THIS MANUAL FOR FUTURE USE.
Fixtures must be wired in accordance with the National Electrical Code and all applicable local codes. Proper grounding is required for safety.

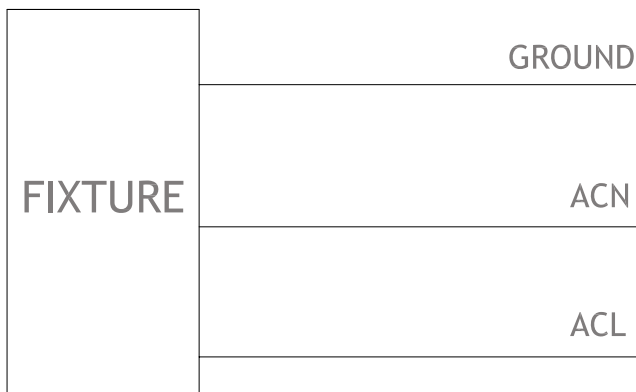
THIS PRODUCT MUST BE INSTALLED IN ACCORDANCE WITH THE APPLICATION CODE BY A PERSON FAMILIAR WITH THE CONSTRUCTION AND OPERATION OF THE PRODUCT AND THE HAZARDS INVOLVED. MAKE CERTAIN POWER IS OFF BEFORE INSTALLING OR MAINTAINING FIXTURE. CHECK THAT VOLTAGE IS COMPATIBLE WITH FIXTURE DRIVER. USE APPROVED CONNECTORS FOR ALL ELECTRICAL CONNECTIONS.

MAINTENANCE CAUTION 

1. Review the wire connection before beginning, and make sure fixture is grounded properly.
2. For lighting controls, follow control instructions carefully.
3. Turn power off and wait for fixture to cool before performing maintenance.
4. Maintenance must be done by professionals.

WIRE CONNECTION

Universal voltage driver permits operation at 120VAC thru 277VAC or 347VAC OR 480VAC, 50 or 60 Hz.



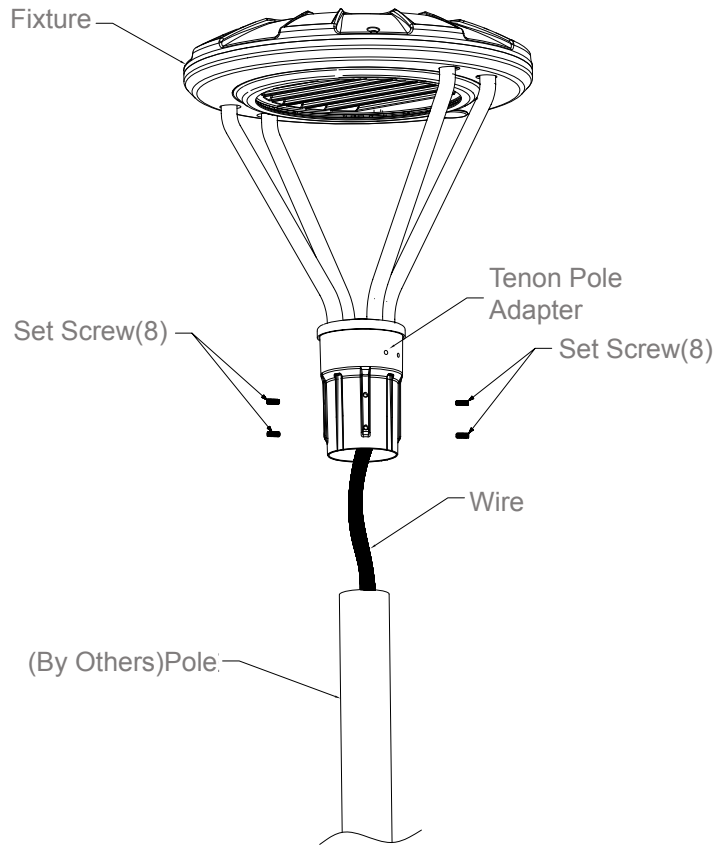
INSTALLATION

WARNING

Risk of injury or damage. Make certain power is OFF before installing or maintaining fixture.

POLE MOUNTING

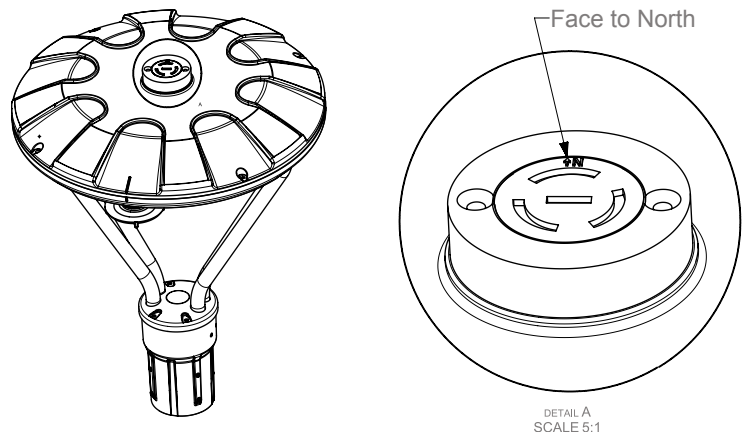
1. Turn power off.
2. Make the wiring connections with UL approved connectors(by others) and knot the wires for strain relief.
3. Slip the tenon pole adapter over tenon pole with diameter of 2 3/8" or 3".
4. Open the accessory bag and take out the nuts. Secure the fixture with set screws and nuts.
5. Turn power on.



PHOTOCONTROL ORIENTATION

The orientation need to be done if the indicator arrow doesn't points north.

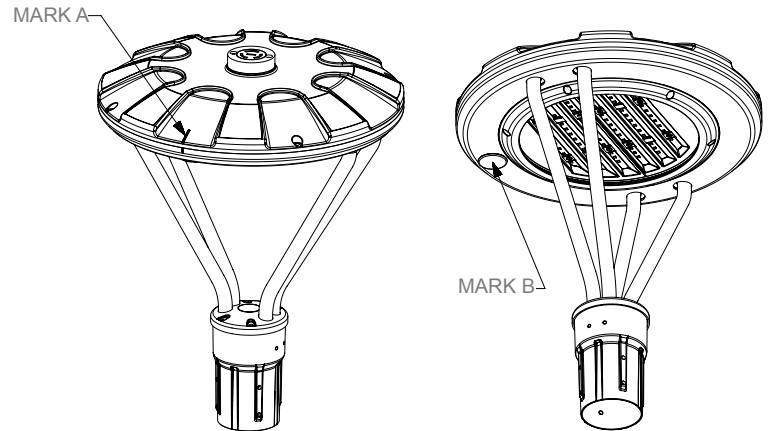
- 1, Loosen the two screws.
- 2, Rotate the center of the receptacle with a screw driver until the indicator arrow points north.
- 3, Retighten the two screws.
- 4, Match the Pins with correct sockets and insert the photoelectric control (not included) or shorting cap in receptacle.
- 5, Twist the photoelectric control (not included) clockwise into locking position.



INSTALLATION ORIENTATION FOR TYPE III

There is a marking line (MARK A) on the top of Moon series post top. It is just above the position of motion sensor or motion sensor cover as the drawing showed MARK B.

During the installation, please make sure the mark A or mark B are opposite to the street or road.



Ref#: 11230-20705

MAINTENANCE

No matter what kind of light distributions, please make sure the MARK A is right above the MARK B after the maintenance.