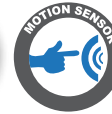




IMAGE MAY VARY FROM ACTUAL PRODUCT

LED MOON SERIES POST TOP

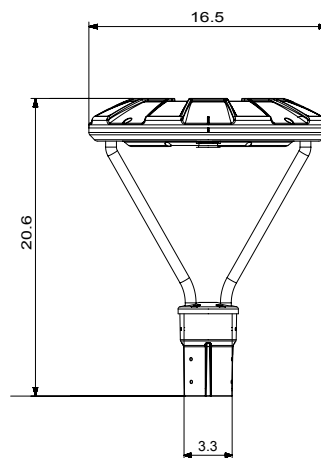


PRODUCT DESCRIPTION

The moon series has the high-performance solution for the most demanding applications within a unique design. With different precision refractive optical lens and an easy-install design, it can be used in many applications such as pedestrian street, factory, schools, garden, courtyard, hotel, parking lot, public parks etc.

SPECIFICATION

Dimension(L-W-H):
 Length: 16.5"
 Width: 16.5"
 Height: 20.6"
 Max. Weight: 16.54 lbs



FEATURE

1. Patented Air Cooling Design
2. IP66 Rated Enclosure
3. Post top or Pendant Mounting
4. Superior Low-glare Illumination
5. Programmable Multi-level Motion Sensor
6. 7 Pin Receptacle
7. Optional with Photo Cell

Ordering Information

Example: **MPT35501-MS-L3B-P1-V**

Moon Series	Watts	CCT	Voltage	Control	Installation	Distribution	Finish
MPT	35 - 35W	30 - 3000K	1 - 120-277V	MS - L3B - Motion Sensor ² With Black L3 Lens	P1 - 2 3/8" or 3" Tenon pole	V - Type V III - Type III	Blank - Dark Bronze AL- Aluminum Silver
	50 - 50W	40 - 4000K	6 - 347/480V ¹				
	75 - 75W	50 - 5000K		PC - Photoelectric Control			
	100 - 100W			7P - 7-Pin PE Receptacle ³			

Notes:

1. 347/480V is available for 50W and 75W. No controls for 347/480V.
2. Black L3 lens is standard for 35W and 50W; Black L7 lens is standard for 75W and 100W. Please check the motion sensor manual for more information.
3. Shorting cap included.

Special Order-Ask Customer Service

PERFORMANCE DATA

LUMEN OUTPUT

Lumen values are measured by third party certified laboratories performed in accordance with IESNA LM-79-08 as well as Lighting Facts listed.

Lumen Ambient Temperature (LAT) Multipliers

Use these factors to determine relative lumen output for average ambient temperature from -40-104°F (-40-40°C)

System Watts	Lumen Output (Post Top)	CRI	CCT	Dist. Type	LPW
35W	4039lm	>70	5000K	Type V	115
47.8W	5319lm	>70	3000K	Type III	111
72.1W	8057.4lm	>70	5000K	Type III	111.8
99.4W	11595lm	>70	5000K	Type V	116.7

Ambient		Multiplier
Celsius	Fahrenheit	
0	32	1.02
10	50	1.01
20	68	1.00
25	77	1.00
30	86	1.00
40	104	0.99

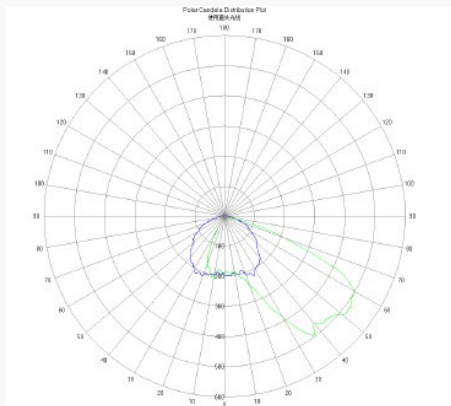
Projected LED Lumen Maintenance

Data references the extrapolated performance projections for the LED Post Top in a 77°F ambient, (tested per IESNA LM-80-08 and projected per IESNA TM-21-11).

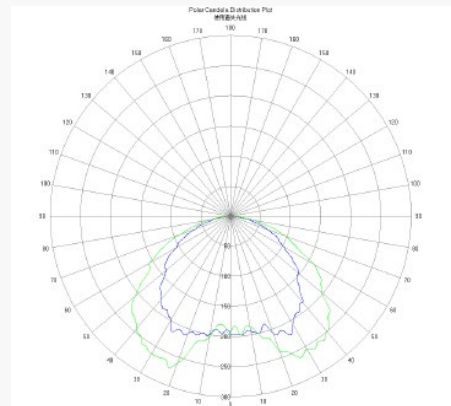
Operating Hours	175,000
Lumen Maintenance Factor	0.70(L70)

Photometry

All published luminaire photometric testing performed to IESNA LM-79-08 standards by a NVLAP certified laboratory.



**Post Top
Type III**



**Post Top
Type V**

PRODUCT SPECIFICATIONS

ELECTRICAL SYSTEM

- Input Voltage: 120-277VAC/347V/480V
- 50/60Hz
- 0-10V dimming for 35W, 50W and 75W; 1-10V dimming for 100W
- Operating temperature range: -40-104°F (-40-40°C)
- Power Factor: > 0.9 at full load
- Total Harmonic Distortion: < 20% at full load
- Integral 10KA surge suppression protection standard

CERTIFICATIONS AND QUALIFICATIONS

- cETLus
- IP66 rated
- DLC
- RoHS compliant

Warranty

Twelve year limited warranty. Full warranty terms located at www.abovealllighting.com/warrantystatements

Note:

Specifications subject to change without notice.