



LED MOON SERIES POST TOP



PRODUCT DESCRIPTION

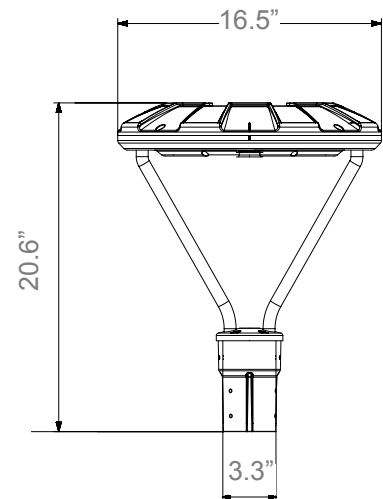
The moon series has the high-performance solution for the most demanding applications within a unique design. With different precision refractive optical lens and an easy-install design, it can be used in many applications such as pedestrian street, factory, schools, garden, courtyard, hotel, parking lot, public parks etc.

FEATURE

1. Light weight design and low EPA minimize pole load
2. Die-cast aluminum housing and excellent thermal management
3. IES distribution Types II, III & V for various applications
4. Tempered glass lens doesn't fade and discolor
5. Multi-level motion sensor, photocontrol & 3/5/7 PIN NEMA receptacle for option

SPECIFICATION

Max. Weight: 16.54 lbs
 Effective Projected Area (EPA): 0.7ft²



Ordering Information

Example: MPT35501-MS-L3B-P1-V

| Moon Series | Watts | CCT | Voltage | Control | Installation | Distribution | Finish |
|-------------|------------|------------|---------------------------|--|---|---|---|
| MPT | 35 - 35W | 30 - 3000K | 1 - 120-277V | MS - L3B - Motion Sensor With Black L3 Lens ⁴ | P1 - 2 3/8" or 3" Tenon pole ⁶ | V - Type V III - Type III II - Type II | Blank - Dark Bronze AL - Aluminum Silver |
| | 50 - 50W | 40 - 4000K | 2 - 347V ¹ | MS - L7B - Motion Sensor with Black L7 Lens ⁴ | | | |
| | 75 - 75W | 50 - 5000K | 3 - 480V ² | | | | |
| | 100 - 100W | | 6 - 347/480V ³ | | | | |
| | | | | PC - Photoelectric Control | | | |
| | | | | 7P - 7-Pin PE Receptacle ⁵ | | | |



Notes:

1. 347V is only used with photoelectric control.
2. 480V is only used with photoelectric control.
3. If choose 347/480V, please do not choose photoelectric control. 347/480V is not available for 35W.

4. Black L3 lens is standard for 35W and 50W; Black L7 lens is standard for 75W and 100W. Please check the motion sensor manual for more information.
5. Shorting cap included.
6. 4"OD round pole adapter is available for accessory.

*Please Ask Customer Service for any special requests.

Accessories

| MODEL | MODEL | IMAGE | DESCRIPTION |
|-------|----------|---|--|
| 90178 | MPT-4RPA |  | 4"OD round pole adapter for Moon series post top |
| 90198 | MPT-HSS |  | House side shield for Moon series post top |

PERFORMANCE DATA

LUMEN OUTPUT

Lumen values are measured by third party certified laboratories performed in accordance with IESNA LM-79-08 as well as Lighting Facts listed.

Lumen Ambient Temperature (LAT) Multipliers

Use these factors to determine relative lumen output for average ambient temperature from -40-104°F (-40-40°C)

| System Watts | Lumen Output (Post Top) | CRI | CCT | Dist. Type | LPW |
|--------------|-------------------------|-----|-------|------------|-------|
| 35W | 4039lm | >70 | 5000K | Type V | 115 |
| 47.8W | 5319lm | >70 | 3000K | Type III | 111 |
| 72.1W | 8057.4lm | >70 | 5000K | Type III | 111.8 |
| 99.4W | 11595lm | >70 | 5000K | Type V | 116.7 |

| Ambient | | Multiplier |
|---------|------------|------------|
| Celsius | Fahrenheit | |
| 0 | 32 | 1.02 |
| 10 | 50 | 1.01 |
| 20 | 68 | 1.00 |
| 25 | 77 | 1.00 |
| 30 | 86 | 1.00 |
| 40 | 104 | 0.99 |

Projected LED Lumen Maintenance

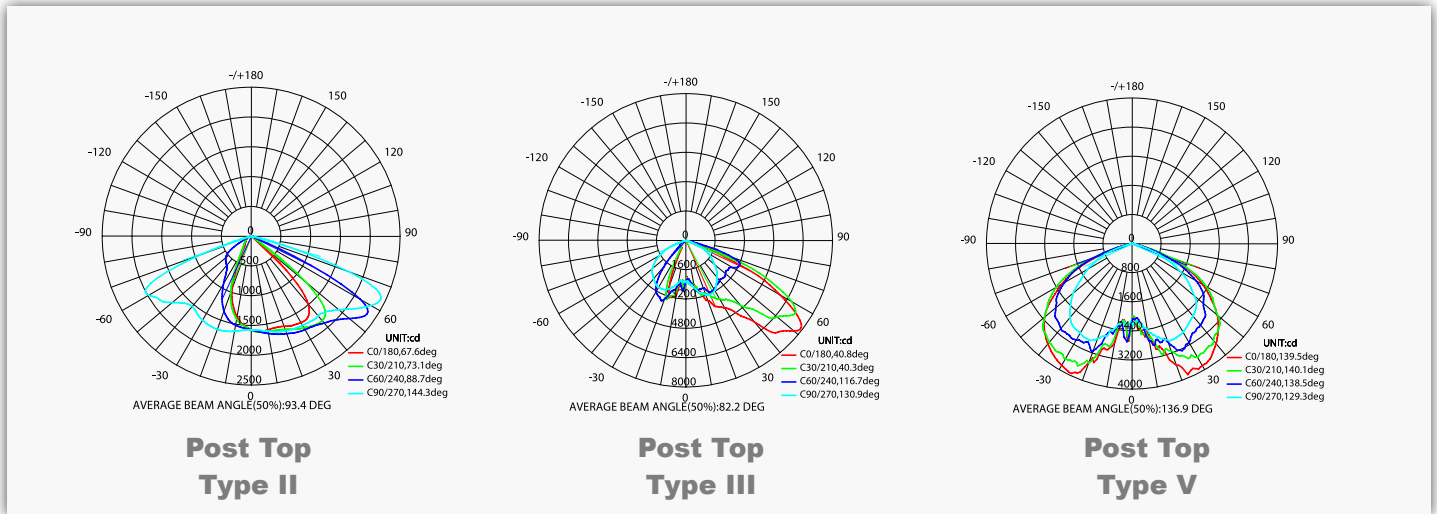
Data references the extrapolated performance projections for the LED Post Top in a 77°F ambient, (tested per IESNA LM-80-08 and projected per IESNA TM-21-11).

| Operating Hours | 100W (351B) | | | |
|--------------------------|-------------|-----------|-----------|-----------|
| | 10,000H | 16,000H | 29,000H | 109,000H |
| Lumen Maintenance Factor | 0.98(L98) | 0.96(L96) | 0.92(L92) | 0.70(L70) |

| Operating Hours | 75W (5630) | | | |
|--------------------------|------------|-----------|-----------|-----------|
| | 11,000H | 16,000H | 27,000H | 97,000H |
| Lumen Maintenance Factor | 0.98(L98) | 0.96(L96) | 0.92(L92) | 0.70(L70) |

Photometry

All published luminaire photometric testing performed to IESNA LM-79-08 standards by a NVLAP certified laboratory.



PRODUCT SPECIFICATIONS

ELECTRICAL SYSTEM

- Input Voltage: 120-277VAC/347V/480V
- 50/60Hz
- 0-10V dimming for 35W, 50W and 75W; 1-10V dimming for 100W
- Operating temperature range: -40-104°F (-40-40°C)
- Power Factor: > 0.9 at full load
- Total Harmonic Distortion: < 20% at full load
- Integral 10KA surge suppression protection standard

| System Wattage | Max THD (%) | Power Factor | Power Efficiency | Replaces/ Equiv.(MH) |
|----------------|-------------|--------------|------------------|----------------------|
| 35W | 20 | >0.9 | 93% | 150W |
| 50W | 20 | >0.9 | 93% | 175W |
| 75W | 20 | >0.9 | 93% | 250W |
| 100W | 20 | >0.9 | 93% | 320W |

CERTIFICATIONS AND QUALIFICATIONS

- cETLus
- IP66 rated
- DLC
- RoHS compliant

Warranty

Twelve year limited warranty. Full warranty terms located at www.aboveallLighting.com/warrantystatements

Note:

Specifications subject to change without notice.

BUG RATING

Performed to IESNA LM-79-08 standards by a NVLAP accredited laboratory

| Model | BUG Rating |
|---------------|------------|
| MPT35301-III | B2-U1-G1 |
| MPT35501-III | B2-U1-G1 |
| MPT35301-V | B2-U1-G1 |
| MPT35501-V | B2-U1-G1 |
| MPT50301-III | B2-U2-G1 |
| MPT75301-V | B3-U2-G2 |
| MPT75301-III | B2-U2-G2 |
| MPT75501-III | B2-U2-G2 |
| MPT100301-III | B3-U2-G2 |
| MPT100501-III | B3-U2-G3 |
| MPT100301-V | B3-U2-G2 |
| MPT100501-V | B3-U2-G3 |