



# LED MOON SERIES POST TOP



## PRODUCT DESCRIPTION

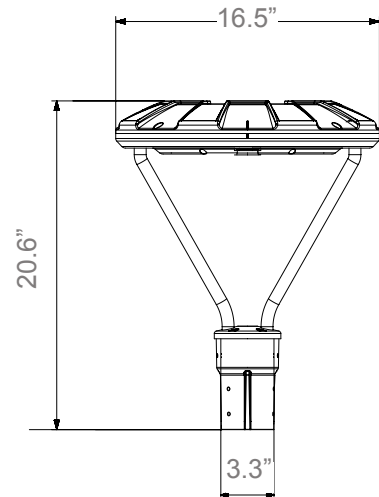
The moon series has the high-performance solution for the most demanding applications within a unique design. With different precision refractive optical lens and an easy-install design, it can be used in many applications such as pedestrian street, factory, schools, garden, courtyard, hotel, parking lot, public parks etc.

## FEATURE

1. Light weight design and low EPA minimize pole load
2. Die-cast aluminum housing and excellent thermal management
3. IES distribution Types II, III & V for various applications
4. Tempered glass lens doesn't fade and discolor
5. Multi-level motion sensor, photocontrol & 3/5/7 PIN NEMA receptacle for option

## SPECIFICATION

Max. Weight: 16.54 lbs  
 Effective Projected Area (EPA): 0.7ft<sup>2</sup>



## Ordering Information

**Example: MPT35501-MS-L3B-P1-V**

Moon Series	Watts	CCT	Voltage	Control	Installation	Distribution	Finish
MPT	35 - 35W	30 - 3000K	1 - 120-277V	<b>MS - L3B</b> - Motion Sensor With Black L3 Lens <sup>4</sup>	<b>P1</b> - 2 3/8" or 3" Tenon pole <sup>6</sup>	<b>V</b> - Type V <b>III</b> - Type III <b>II</b> - Type II	<b>Blank</b> - Dark Bronze <b>AL</b> - Aluminum Silver
	50 - 50W	40 - 4000K	2 - 347V <sup>1</sup>	<b>MS - L7B</b> - Motion Sensor with Black L7 Lens <sup>4</sup>			
	75 - 75W	50 - 5000K	3 - 480V <sup>2</sup>				
	100 - 100W		6 - 347/480V <sup>3</sup>				
				<b>PC</b> - Photoelectric Control			
				<b>7P</b> - 7-Pin PE Receptacle <sup>5</sup>			



### Notes:

1. 347V is only used with photoelectric control.
2. 480V is only used with photoelectric control.
3. If choose 347/480V, please do not choose photoelectric control. 347/480V is not available for 35W.

4. Black L3 lens is standard for 35W and 50W; Black L7 lens is standard for 75W and 100W. Please check the motion sensor manual for more information.
5. Shorting cap included.
6. 4"OD round pole adapter is available for accessory.

\*Please Ask Customer Service for any special requests.

## Accessories

SKU	MODEL	IMAGE	DESCRIPTION
90178	MPT-4RPA		4"OD round pole adapter for Moon series post top
90198	MPT-HSS		House side shield for Moon series post top

## PERFORMANCE DATA

### LUMEN OUTPUT

Lumen values are measured by third party certified laboratories performed in accordance with IESNA LM-79-08 as well as Lighting Facts listed.

### Lumen Ambient Temperature (LAT) Multipliers

Use these factors to determine relative lumen output for average ambient temperature from -40-104°F (-40-40°C)

System Watts	Lumen Output (Post Top)	CRI	CCT	Dist. Type	LPW
35W	4039lm	>70	5000K	Type V	115
47.8W	5319lm	>70	3000K	Type III	111
72.1W	8057.4lm	>70	5000K	Type III	111.8
99.4W	11595lm	>70	5000K	Type V	116.7

Ambient		Multiplier
Celsius	Fahrenheit	
0	32	1.02
10	50	1.01
20	68	1.00
25	77	1.00
30	86	1.00
40	104	0.99

### Projected LED Lumen Maintenance

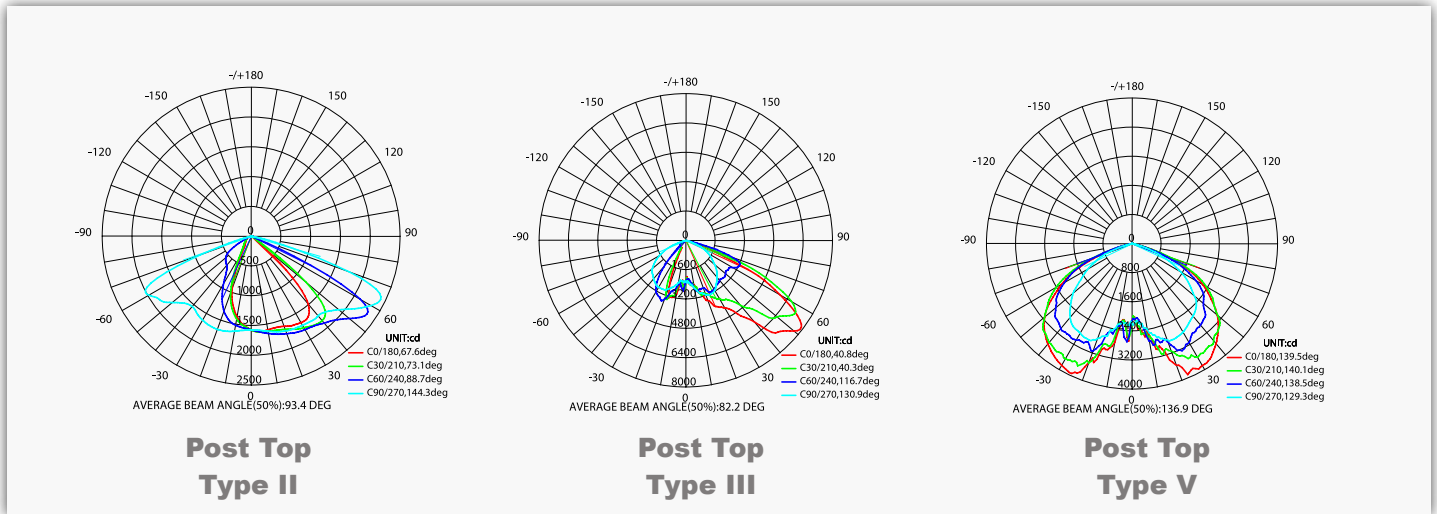
Data references the extrapolated performance projections for the LED Post Top in a 77°F ambient, (tested per IESNA LM-80-08 and projected per IESNA TM-21-11).

Operating Hours	100W (351B)			
	10,000H	16,000H	29,000H	109,000H
Lumen Maintenance Factor	0.98(L98)	0.96(L96)	0.92(L92)	0.70(L70)

Operating Hours	75W (5630)			
	11,000H	16,000H	27,000H	97,000H
Lumen Maintenance Factor	0.98(L98)	0.96(L96)	0.92(L92)	0.70(L70)

**Photometry**

All published luminaire photometric testing performed to IESNA LM-79-08 standards by a NVLAP certified laboratory.



**PRODUCT SPECIFICATIONS**

**ELECTRICAL SYSTEM**

- Input Voltage: 120-277VAC/347V/480V
- 50/60Hz
- 0-10V dimming for 35W, 50W and 75W; 1-10V dimming for 100W
- Operating temperature range: -40-104°F (-40-40°C)
- Power Factor: > 0.9 at full load
- Total Harmonic Distortion: < 20% at full load
- Integral 10KA surge suppression protection standard

System Wattage	Max THD (%)	Power Factor	Power Efficiency	Replaces/ Equiv.(MH)
35W	20	>0.9	93%	150W
50W	20	>0.9	93%	175W
75W	20	>0.9	93%	250W
100W	20	>0.9	93%	320W

**CERTIFICATIONS AND QUALIFICATIONS**

- cETLus
- IP66 rated
- DLC
- RoHS compliant

**Warranty**

Twelve year limited warranty. Full warranty terms located at [www.aboveallLighting.com/warrantystatements](http://www.aboveallLighting.com/warrantystatements)

**Note:**

Specifications subject to change without notice.

**BUG RATING**

Performed to IESNA LM-79-08 standards by a NVLAP accredited laboratory

Model	BUG Rating
MPT35301-III	B2-U1-G1
MPT35501-III	B2-U1-G1
MPT35301-V	B2-U1-G1
MPT35501-V	B2-U1-G1
MPT50301-III	B2-U2-G1
MPT75301-V	B3-U2-G2
MPT75301-III	B2-U2-G2
MPT75501-III	B2-U2-G2
MPT100301-III	B3-U2-G2
MPT100501-III	B3-U2-G3
MPT100301-V	B3-U2-G2
MPT100501-V	B3-U2-G3