

SUITABLE FOR MODEL



SAFETY INSTRUCTION

READ CAREFULLY BEFORE INSTALLING FIXTURE. PLEASE KEEP THIS MANUAL FOR FUTURE USE.
Fixtures must be wired in accordance with the National Electrical Code and all applicable local codes. Proper grounding is required for safety.

THIS PRODUCT MUST BE INSTALLED IN ACCORDANCE WITH THE APPLICATION CODE BY A PERSON FAMILIAR WITH THE CONSTRUCTION AND OPERATION OF THE PRODUCT AND THE HAZARDS INVOLVED.

MAKE CERTAIN POWER IS OFF BEFORE INSTALLING OR MAINTAINING FIXTURE.

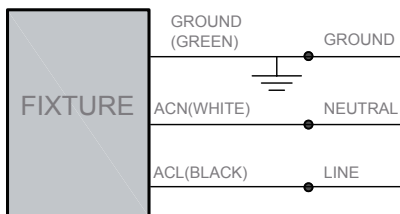
CHECK THAT VOLTAGE IS COMPATIBLE WITH FIXTURE DRIVER. USE APPROVED CONNECTORS FOR ALL ELECTRICAL CONNECTIONS.

MAINTENANCE CAUTION

1. Review the wire connection before beginning, and make sure fixture is grounded properly.
2. For lighting controls, follow control instructions carefully.
3. Turn power off and wait for fixture to cool before performing maintenance.
4. Maintenance must be done by professionals.

WIRE CONNECTION

Universal Voltage permits operation at 120VAC thru 277VAC, 50 or 60 Hz.



Make the following Electrical Connection:

- a). Connect the voltage supply line to ACL in Black.
- b). Connect the voltage supply Neutral to ACN in White.
- c). Connect Green ground lead to the supply ground lead.

INSTALLATION

ACCESSORY PACK



WIRE NUT x 3

WARNING

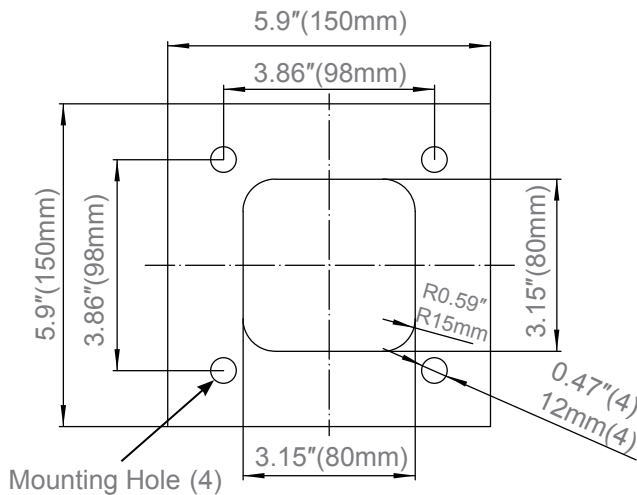
Risk of injury or damage. Make certain power is OFF before installing or maintaining fixture.

Notes:

Mounting plate and Anchor bolts need to be bought separately.

Installation Steps

1. Make sure the concrete base is suitable for the bollard load.
2. Install Anchor Bolts (4) with mounting plate (1) (order separately or customer supplied) into concrete, having at least 1.18" protruding from concrete with threads free and clear of debris and dirt. See Figure 2.
3. Ensure that conduit (customer supplied) exits concrete in the center of the four anchor bolts.
4. Loosen the Set Screw (4) with an L-type Wrench (customer supplied), and remove the Bollard Base of the Bollard. See Figure 3.
5. Place the Bollard Base over Anchor Bolts (4) and tighten all the Nuts and Washers. See Figure 1.
6. Be sure supply leads extend far enough to make wire connections.
7. Slide the Bollard over on Bollard Base. Be sure to check the LED position on the Bollard. See Figure 3.
8. Replace the Set Screws (4) to secure the Bollard to the Bollard Base. See Figure 3.



ANCHOR BOLT MOUNTING PLATE
(The thickness of 2.0mm)

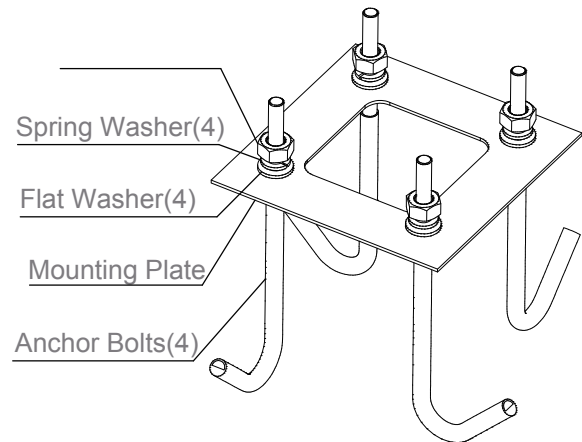


Figure1

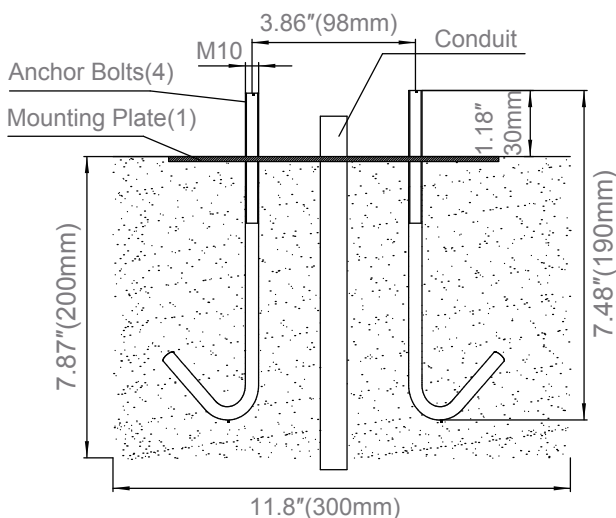


Figure2

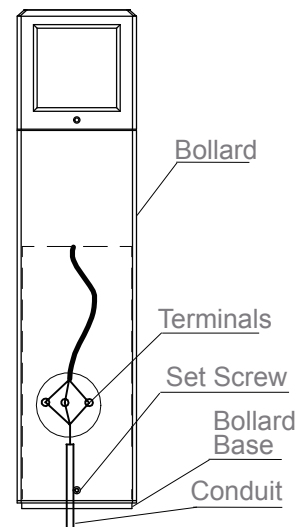


Figure3

WATTAGE AND CCT SETTING

Factory Wattage Default Setting: 24W.

Factory CCT Default Setting: 3000K

By selecting the combination on the DIP switches, wattages and CCT can be set as required.

1. Remove the waterproof plugs with a cross screwdriver (by others). See figure 4.
2. Select desired wattage or CCT by the DIP switches. See figure 5.
3. Replace the removed waterproof plugs.

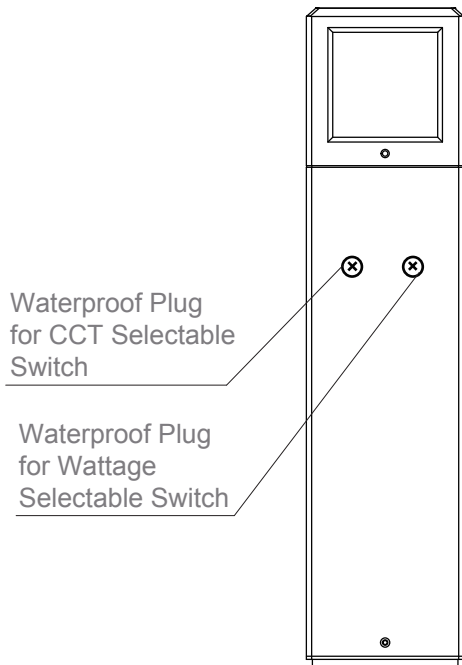


Figure 4

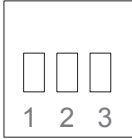
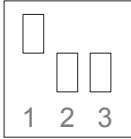

Wattage Setting	 24W  12W
	<p>Note: 24W is default setting. Please do not turn on multiple wattage switches at the same time.</p>
CCT Setting	 3000K 4000K 5000K
	<p>Note: 3000K is default setting.</p>

Figure 5