

TR LED SECURITY LIGHT



PRODUCT DESCRIPTION

LED Security Light is the ideal for security entrance, stairways, and storage area's. Featuring a classic form, the TR Series offers a unique appearance and is powered by advanced LEDs.

The TR Series is powerful yet energy efficient, capable of replacing up to a 100W MH wall pack while saving energy costs. Integral Photocell is preinstalled for more efficient operation and energy savings. Available in 120V only.

FEATURE

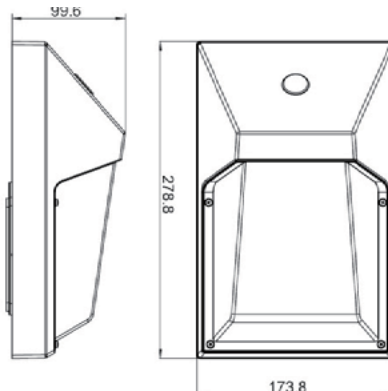
- Slim Modern design
- Integrated button photocell
- Uniform color consistency
- Super thin prismatic lens design to minimize the glare

ELECTRICAL SYSTEM

- Input Voltage: 120V, 277V, 120-277V
- 60Hz
- Class 2 driver
- Power Factor: > 0.98 at full load
- Total Harmonic Distortion: < 20% at full load

SPECIFICATION

Length: 10.98"
Width: 6.84"
Height: 3.93"
Max. Weight: 3.39 lbs



PERFORMANCE

CRI

80

CCT

3000K, 4000K, 5000K

Dimming

0-10V Dimming Standard

Projected Lifetime

L70 - 250,000 Hours

Working Temperature

-40-104°F (-40-40°C)

Certifications

- cETLus
- Suitable for wet location
- IP65 rated
- DLC 4.2 Premium
- RoHS compliant

Ordering Information

Example: TRSEC14504

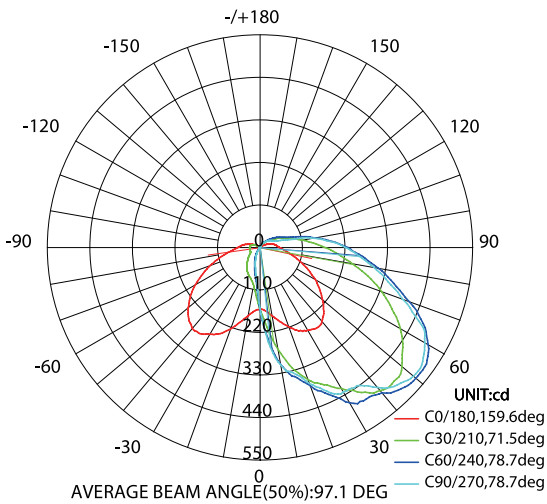
Transformer Series	Security Light	Watts	CCT	Voltage
TR	SEC	10-10W	30 - 3000K	1 - 120-277V
		14-14W	40 - 4000K	4 - 120V ²
		24-24W	50 - 5000K	5 - 277V ³

Notice:

1. DLC Premium only for 5000K at present.
 2. It is with 120V button photocell.
 3. It is with 277V button photocell.
- * Bronze finish is standard. Custom color is available for a premium setup fee. Consult customer service for additional information.

PHOTOMETRY

All published luminaire photometric testing performed to IESNA LM-79-08 standards by a NVLAP certified laboratory.



PERFORMANCE DATA

LUMEN OUTPUT

Lumen values are measured by third party certified laboratories performed in accordance with IESNA LM-79-08 as well as Lighting Facts listed.

Watts	Lumen Output	AC Input 120V	Measured Watts	CRI	CCT	LPW
10W	1215	0.08A	9W	>80	5000K	135
14W	1720	0.10A	13W	>80	5000K	133
24W	3460	0.22A	26W	>80	5000K	133

Lumen Ambient Temperature (LAT) Multipliers

Use these factors to determine relative lumen output for average ambient temperature from -40-104°F (-40-40°C)

Ambient		Multiplier
Celsius	Fahrenheit	
0	32	1.02
10	50	1.01
20	68	1.00
25	77	1.00
30	86	1.00
40	104	0.99

Projected LED Lumen Maintenance

Data references the extrapolated performance projections for the LED Security Light in a 77°F ambient, (tested per IESNA LM-80-08 and projected per IESNA TM-21-11).

Operating Hours	0	25,000	50,000	100,000	250,000
Lumen Maintenance Factor	1.0	0.98(L98)	0.96(L96)	0.92(L92)	0.70(L70)

BUG RATING

Model	BUG Rating
TRSEC10301	B0-U3-G1
TRSEC10501	B0-U3-G1
TRSEC14301	B0-U3-G2
TRSEC14501	B0-U3-G2
TRSEC24301	B0-U3-G3
TRSEC24501	B0-U3-G3

Warranty

Ten year limited warranty. Full warranty terms located at www.abovealllighting.com/warrantystatements

Note:

Specifications subject to change without notice.