



SLEEKCEILING LED Luminaire

- Simple and elegant appearance design
- Edge-lit technology, even illuminations
- Easy to install on various standard junction boxes with a quick snap
- Triac and 0-10V dimming optional
- Suitable for damp locations



1501 Industrial Way N,
Toms River, NJ 08755
©2020 ABOVE ALL Lighting, Inc. All rights reserved

866-222-8866
info@abovealllighting.com
www.AboveAllLighting.com



- Edge-lit technology, even illuminations



Description

SleekCeiling with Edge-lit technology features even illumination and glare free. Low profile appearance design solves the problem of limited plenum space. The integrated driver design reduce the time to recess the driver into junction box, allowing for easy and quick installation on standards junction boxes with a quick snap. Simple and elegant appearance ideal for a variety of applications for both residential and commercial settings.

Performance

CRI

80, 90

CCT

2700K, 3000K, 3500K, 4000K

Dimming

Triac dimming and 0-10V Dimming optional

Projected Lifetime

L70 - 156,000 Hours

Working Temperature

-4-113°F (-20-45°C)

Certifications

- cETLus conforms to UL Std. 1598
- Cert. to CSA Std. C22.2 No.250.0
- Suitable for wet locations
- RoHs compliant

Input Watts (Nominal): 13W, 20W

Lumens (@3000K): 1050lm, 1800lm,

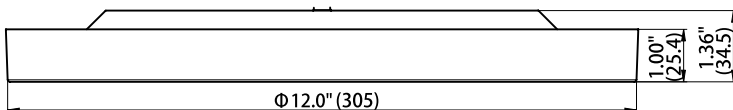
Input Voltage: 120-277V, 120V 50/60Hz

Power Factor: > 0.9 at full load

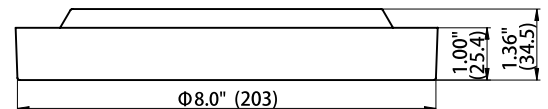
Total Harmonic Distortion: < 20% at full load

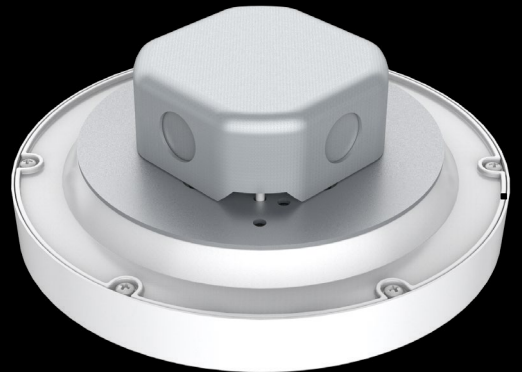
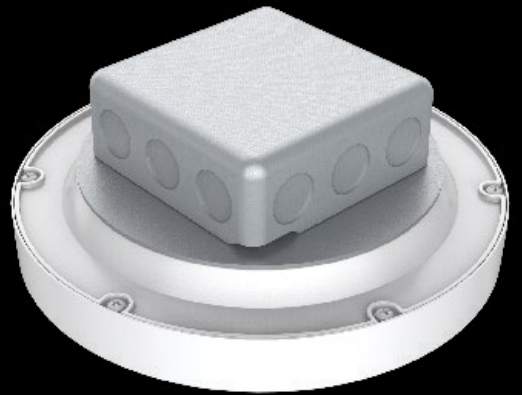
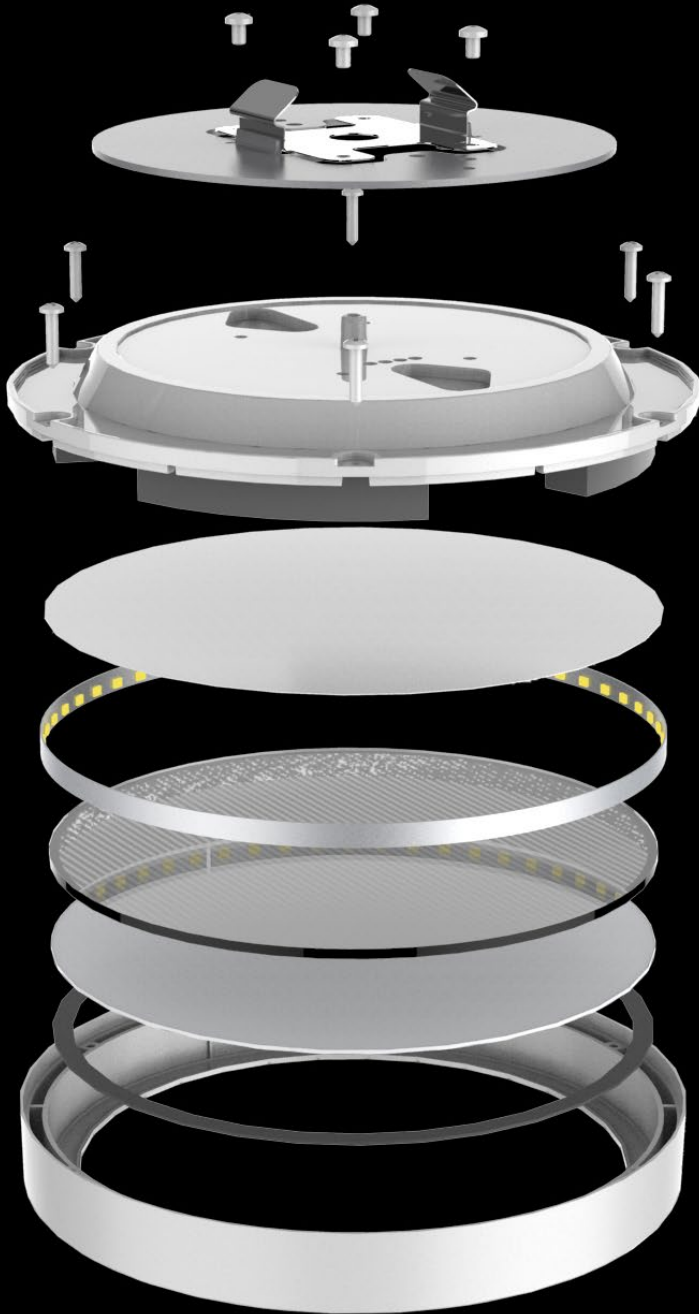
Specification

12 Inch



8 Inch





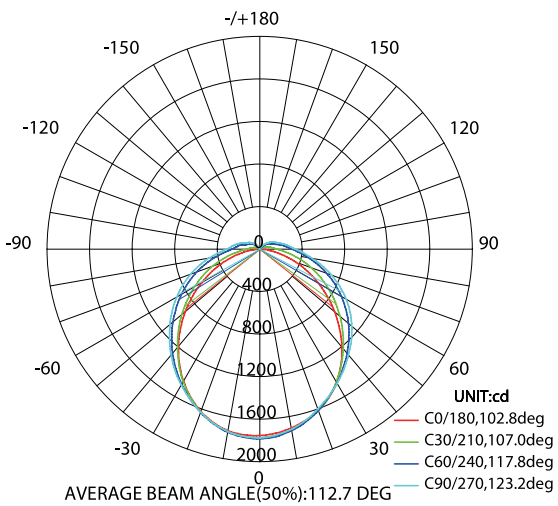
- Easy to install on various standard junction boxes with a quick snap



- Suitable for damp locations



Photometry

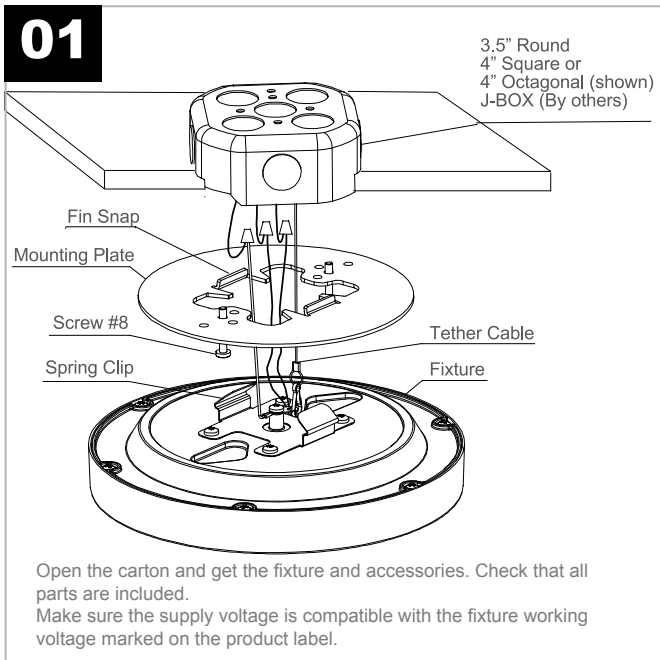




Easy
INSTALLATION

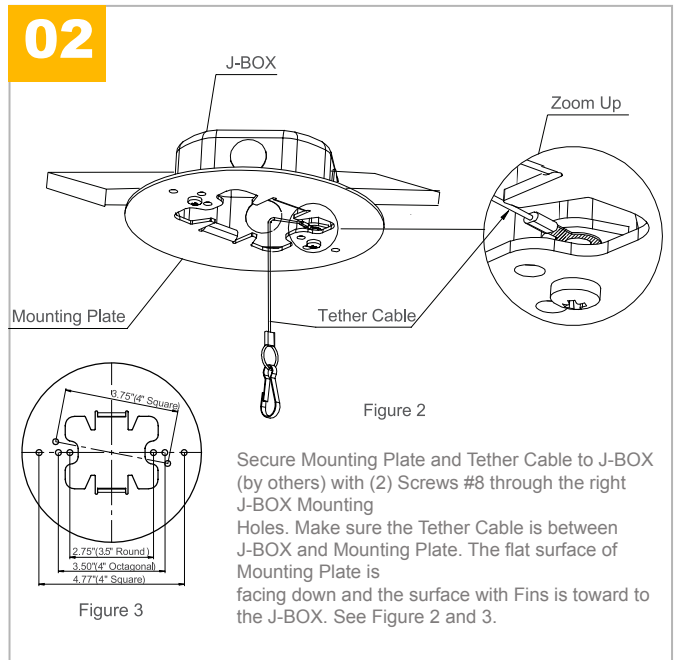
4 Steps
Installation

01



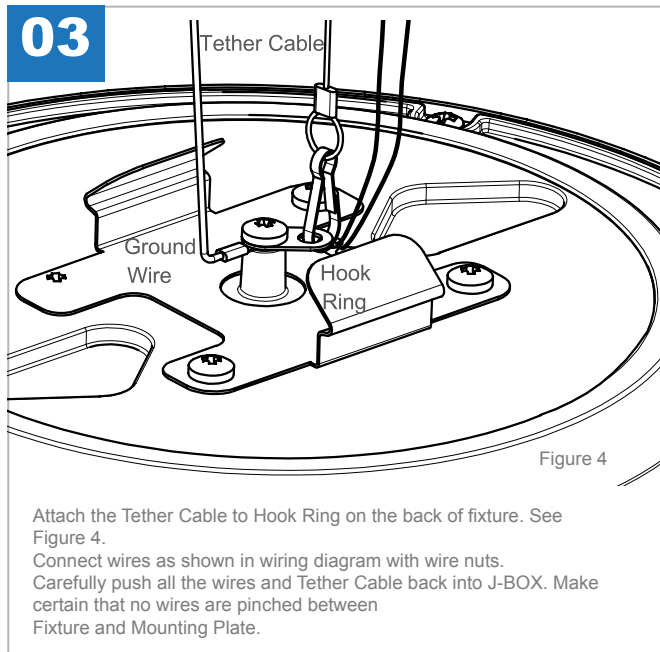
Open the carton and get the fixture and accessories. Check that all parts are included. Make sure the supply voltage is compatible with the fixture working voltage marked on the product label.

02



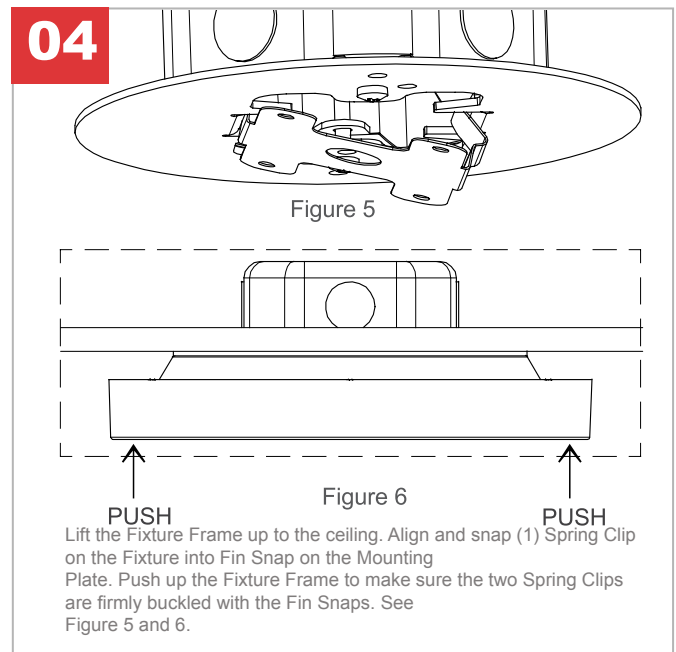
Secure Mounting Plate and Tether Cable to J-BOX (by others) with (2) Screws #8 through the right J-BOX Mounting Holes. Make sure the Tether Cable is between J-BOX and Mounting Plate. The flat surface of Mounting Plate is facing down and the surface with Fins is toward to the J-BOX. See Figure 2 and 3.

03



Attach the Tether Cable to Hook Ring on the back of fixture. See Figure 4. Connect wires as shown in wiring diagram with wire nuts. Carefully push all the wires and Tether Cable back into J-BOX. Make certain that no wires are pinched between Fixture and Mounting Plate.

04



Lift the Fixture Frame up to the ceiling. Align and snap (1) Spring Clip on the Fixture into Fin Snap on the Mounting Plate. Push up the Fixture Frame to make sure the two Spring Clips are firmly buckled with the Fin Snaps. See Figure 5 and 6.