

**SUITABLE FOR MODEL**



300W



100W & 150W

**SAFETY INSTRUCTION**



**READ CAREFULLY BEFORE INSTALLING FIXTURE. PLEASE KEEP THIS MANUAL FOR FUTURE USE.**

Fixtures must be wired in accordance with the National Electrical Code and all applicable local codes. Proper grounding is required for safety.

**THIS PRODUCT MUST BE INSTALLED IN ACCORDANCE WITH THE APPLICATION CODE BY A PERSON FAMILIAR WITH THE CONSTRUCTION AND OPERATION OF THE PRODUCT AND THE HAZARDS INVOLVED.**

**MAKE CERTAIN POWER IS OFF BEFORE INSTALLING OR MAINTAINING FIXTURE.**

**CHECK THAT VOLTAGE IS COMPATIBLE WITH FIXTURE DRIVER. USE APPROVED CONNECTORS FOR ALL ELECTRICAL CONNECTIONS.**

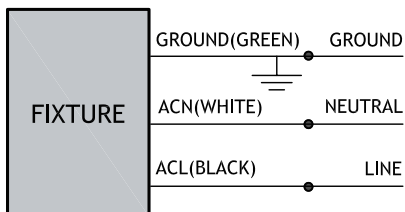
**MAINTENANCE CAUTION**



1. Review the wire connection before beginning, and make sure fixture is grounded properly.
2. For lighting controls, follow control instructions carefully.
3. Turn power off and wait for fixture to cool before performing maintenance.
4. Maintenance must be done by professionals.

**WIRE CONNECTION**

Universal Voltage permits operation at 120VAC thru 277VAC or 347VAC or 480VAC, 50 or 60 Hz.



Make the following Electrical Connection:

- a). Connect the voltage supply line to ACL in Black.
- b). Connect the voltage supply Neutral to ACN in White.
- c). Connect Green ground lead to the supply ground lead.

**INSTALLATION**

**ACCESSORY**



WIRE NUT X 3



HEX WRENCH X 1

**ACCESSORY PACK FOR PHOTOCELL**



PHOTOCELL X 1

**ACCESSORY PACK FOR 7 PIN**



SHORTING CAP X 1

**WARNING**

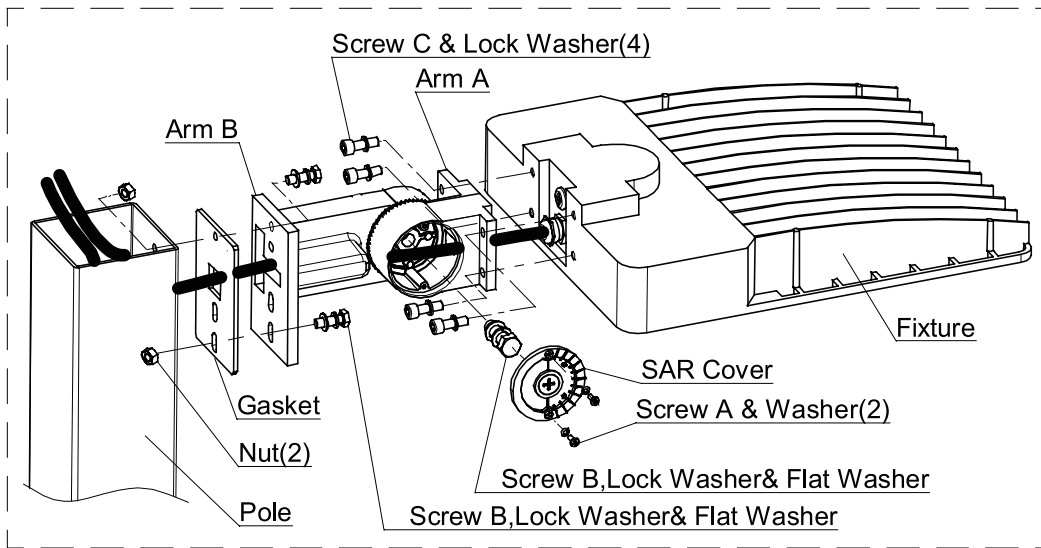
**Risk of injury or damage. Make certain power is OFF before installing or maintaining fixture.**

**Notes:**

1. These installation diagrams are based on the 100W & 150W fixture. Installing steps are the same for 300W fixture.
2. The Arm (SAR and RAR), Slip Fitter (SF) and Trunnion (TR) are field installed, need to be bought separately.
3. If fixture is furnished with photocell receptacle, please make sure install the photocell or shorting cap.

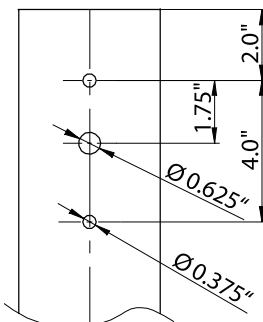
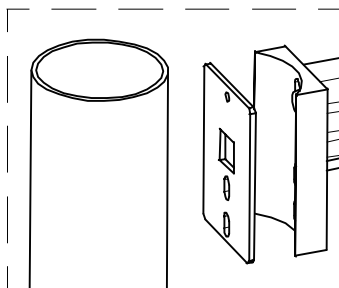
**ARM MOUNT (SAR OR RAR)**

1. Drill the pole according to the drill pattern.
2. Remove (2) Screws A (M4) and Washers on Arm A Cover and open the cover. The removed (2) Screws A and Washers will be used later.
3. Loosen Hex Head Screw B (M12) in the center of Arm and thread the luminaire cord through the Arm.
4. Fasten the Arm to the luminaire using (4) Screws C (M8) , Lock Washers and Nuts.
5. Align the two Arms then fasten the Hex Head Screw B (M12) again. Make sure the luminaire cord do not get pinched between two Arms.
6. Reinstall the Arm A Cover with (2) Screws A and Washers.
7. Feed the luminaire cord into Pole. Secure Arm to the pole by (2) Screws D, Lock Washers and Flat Washers. Make sure the Gasket is between Arm and Pole.
8. Make wire connections between luminaire and supply wires in the pole with appropriate waterproof connectors.
9. Secure Pole Top Cap (not supplied).



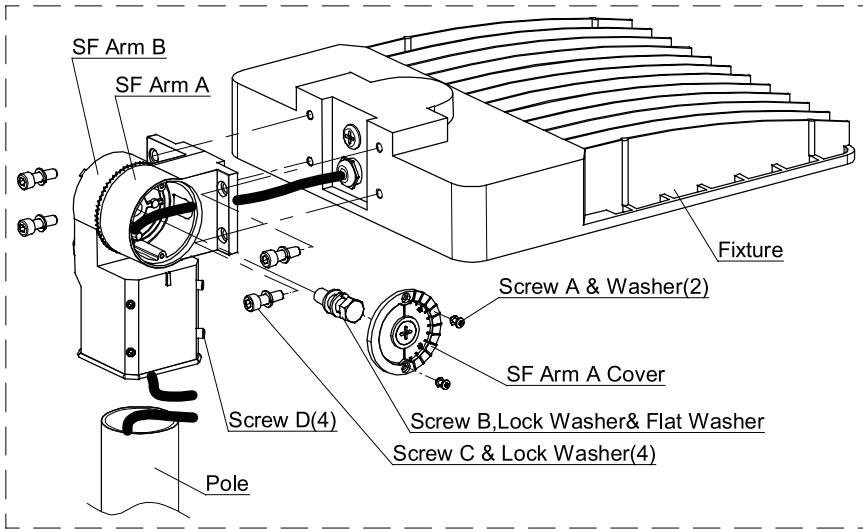
**For Round Pole**

**Pole Mount Drill Pattern**



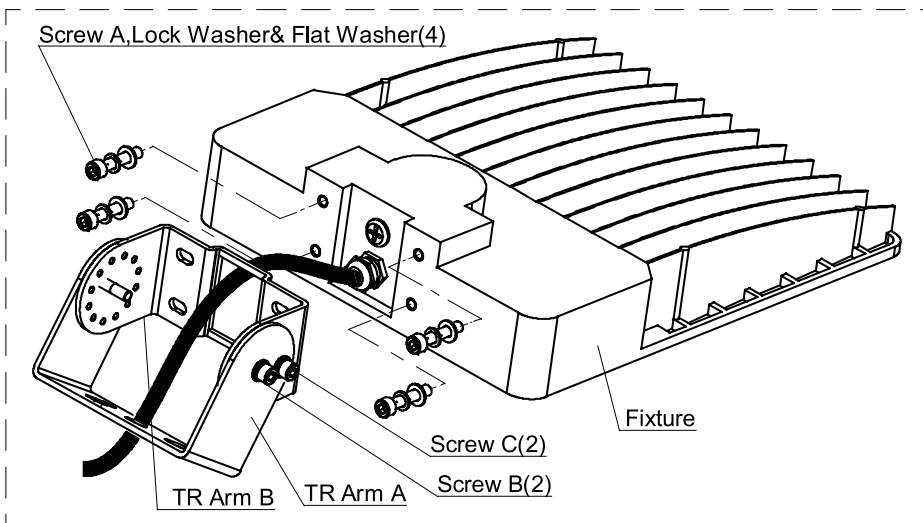
### SLIP FITTER MOUNT (SF)

1. Remove (2) Screws A (M4) and Washers on SF Arm A Cover and open the cover. The removed (2) Screws A and Washers will be used later.
2. Loosen Hex Head Screw B (M12) in the center of Slip Fitter and thread the luminaire cord through the Slip Fitter.
3. Fasten the SF Arm A to the luminaire using (4) Screws C (M8) and Lock Washers.
4. Adjust the two SF Arms in desired angle then fasten the Hex Head Screw B (M12) again. Make sure the luminaire cord do not get pinched between two SF Arms.
5. Reinstall the SF Arm A Cover with (2) Screws A and Washers.
6. Make wire connections between luminaire and supply wires in a pole or tenon with appropriate waterproof connectors.
7. Loosen (4) Set Screws D on SF Arm B. Slip the luminaire over a pole or tenon and push all wires down into the pole or tenon. Then secure the luminaire with (4) Set Screws D.

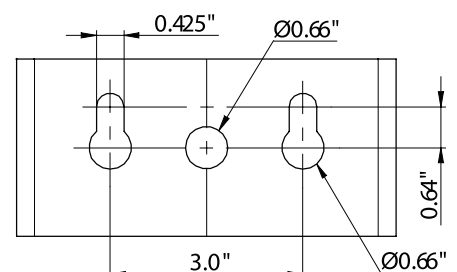


### TRUNNION MOUNT (TR)

1. Drill the desired bracketry according to the drill pattern.
2. Thread the luminaire cord through the center opening of Trunnion Bracket along with a Waterproof Bushing (not supplied). Fasten the Trunnion to the luminaire using (4) Screws A (M8) and Lock Washers.
3. Install the trunnion to a desired bracketry by the hole using (2) Bolts, Locking Washers and Nuts (not supplied) according to the drill pattern.
4. Adjust the angle of the fixture by trunnion.
  - a. Loosen (2) Screws B and remove (2) Screw C on the TR Arm A.
  - b. Swivel fixture to a desired angle.
  - c. Tighten (2) Screws B and C to secure TR Arm A and B.
5. Make wire connections between luminaire and supply wires in bracketry with appropriate waterproof connectors.



#### Trunnion Mount Drill Pattern



### PIR DIMMING SENSOR SETTING DBI823-B-D (120-277V)

By selecting the combination on the DIP switch, sensor data can be precisely set for each specific application. The sensor setting also can be done by a remote control (RC-100) which need to be bought separately.

	1	2	
I	↓	↓	20%
II	↓	↑	50%
III	↑	↓	75%
IV	↑	↑	100%

#### Sensitivity

Sensitivity can be reduced by selecting the combination on the DIP switches to fit precisely each application .


Default Setting: 100%

	3	4	
I	↓	↓	10 S
II	↓	↑	1 Min
III	↑	↓	5 Min
IV	↑	↑	15 Min

#### Hold time

Refers to the time period the lamp remains at 100% illumination after no motion detected.

Default Setting: 1min

	5	6	
I	↓	↓	
II	↓	↑	10 Lux
III	↑	↓	30 Lux
IV	↑	↑	50 Lux

#### Daylight sensor

The sensor can be set to only allow the lamp to illuminate below a defined ambient brightness threshold.

Default Setting: 30lux

	7	8	
I	↓	↓	0%
II	↓	↑	10%
III	↑	↓	30%
IV	↑	↑	50%

#### Stand-by dimming level

The low light level you would like to have after the hold time in the long absence of people.

Default Setting: 30%

	9	10	
I	↓	↓	+ ∞
II	↓	↑	1 Min
III	↑	↓	30 Min
IV	↑	↑	60 Min

#### Stand-by time

Refers to the time period the lamp remains at a low light level before it completely switches off in the long absence of people. When set to“ +∞ ” mode, the low light is maintained until motion is detected

Default Setting: +∞