

**SUITABLE FOR MODEL**



**SAFETY INSTRUCTION**



**READ CAREFULLY BEFORE INSTALLING FIXTURE. PLEASE KEEP THIS MANUAL FOR FUTURE USE.** Fixtures must be wired in accordance with the National Electrical Code and all applicable local codes. Proper grounding is required for safety.

**THIS PRODUCT MUST BE INSTALLED IN ACCORDANCE WITH THE APPLICATION CODE BY A PERSON FAMILIAR WITH THE CONSTRUCTION AND OPERATION OF THE PRODUCT AND THE HAZARDS INVOLVED.**

**MAKE CERTAIN POWER IS OFF BEFORE INSTALLING OR MAINTAINING FIXTURE.**

**CHECK THAT VOLTAGE IS COMPATIBLE WITH FIXTURE DRIVER. USE APPROVED CONNECTORS FOR ALL ELECTRICAL CONNECTIONS.**

**MAINTENANCE CAUTION**



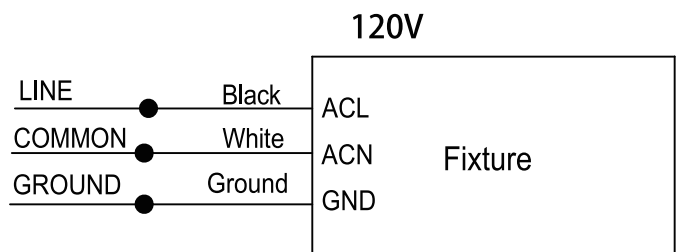
1. Review the wire connection before beginning, and make sure fixture is grounded properly.
2. For lighting controls, follow control instructions carefully.
3. Turn power off and wait for fixture to cool before performing maintenance.
4. Maintenance must be done by professionals.

**WIRE CONNECTION**

Voltage permits operation at 120VAC, 50 or 60 Hz.

Make the following Electrical Connection:

- a). Connect the voltage supply line to ACL in Black.
- b). Connect the voltage supply Neutral to ACN in White.
- c). Connect ground lead to the supply ground lead.



**INSTALLATION**

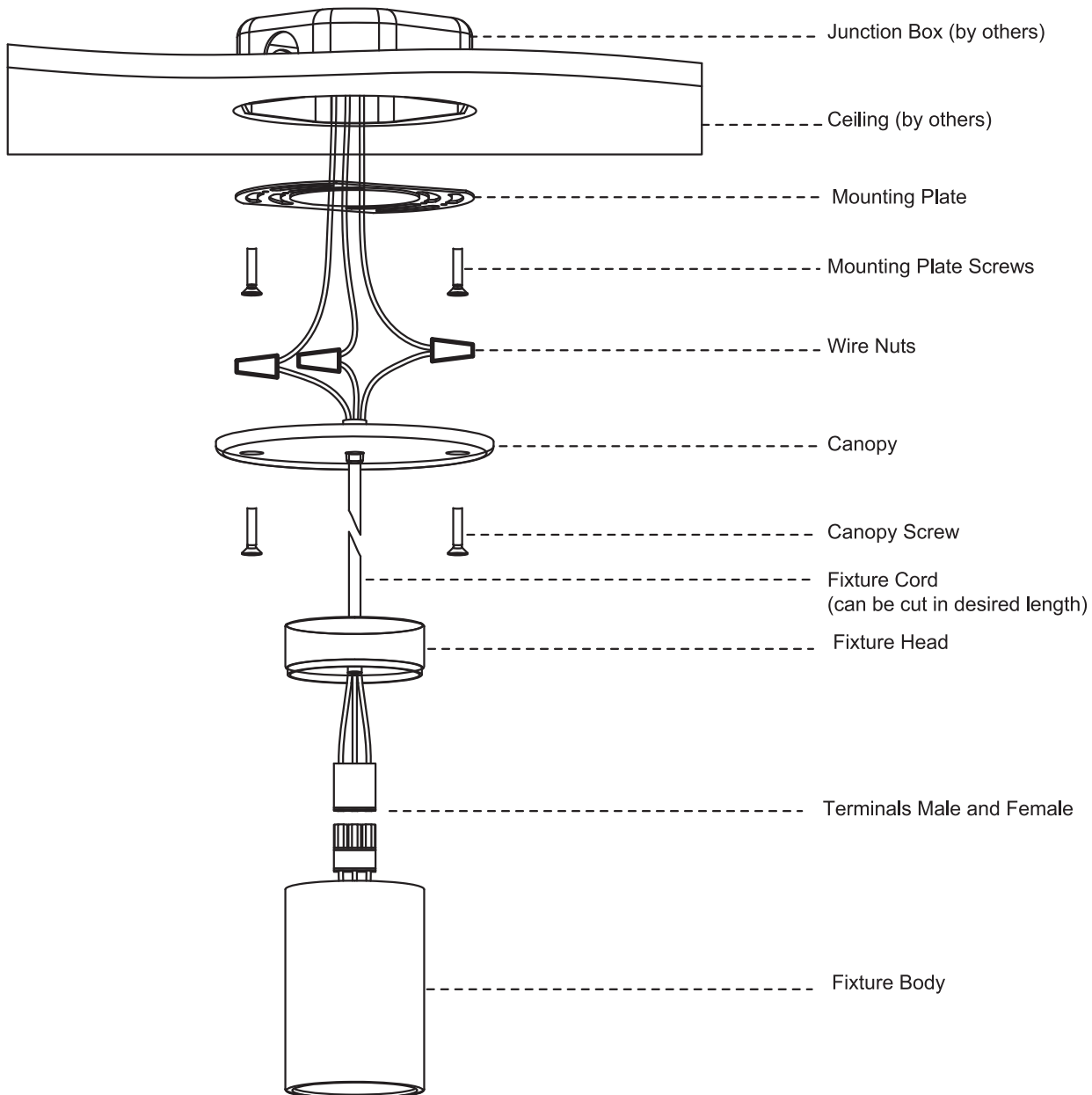
**WARNING**

**Risk of injury or damage. Make certain power is OFF before installing or maintaining fixture.**

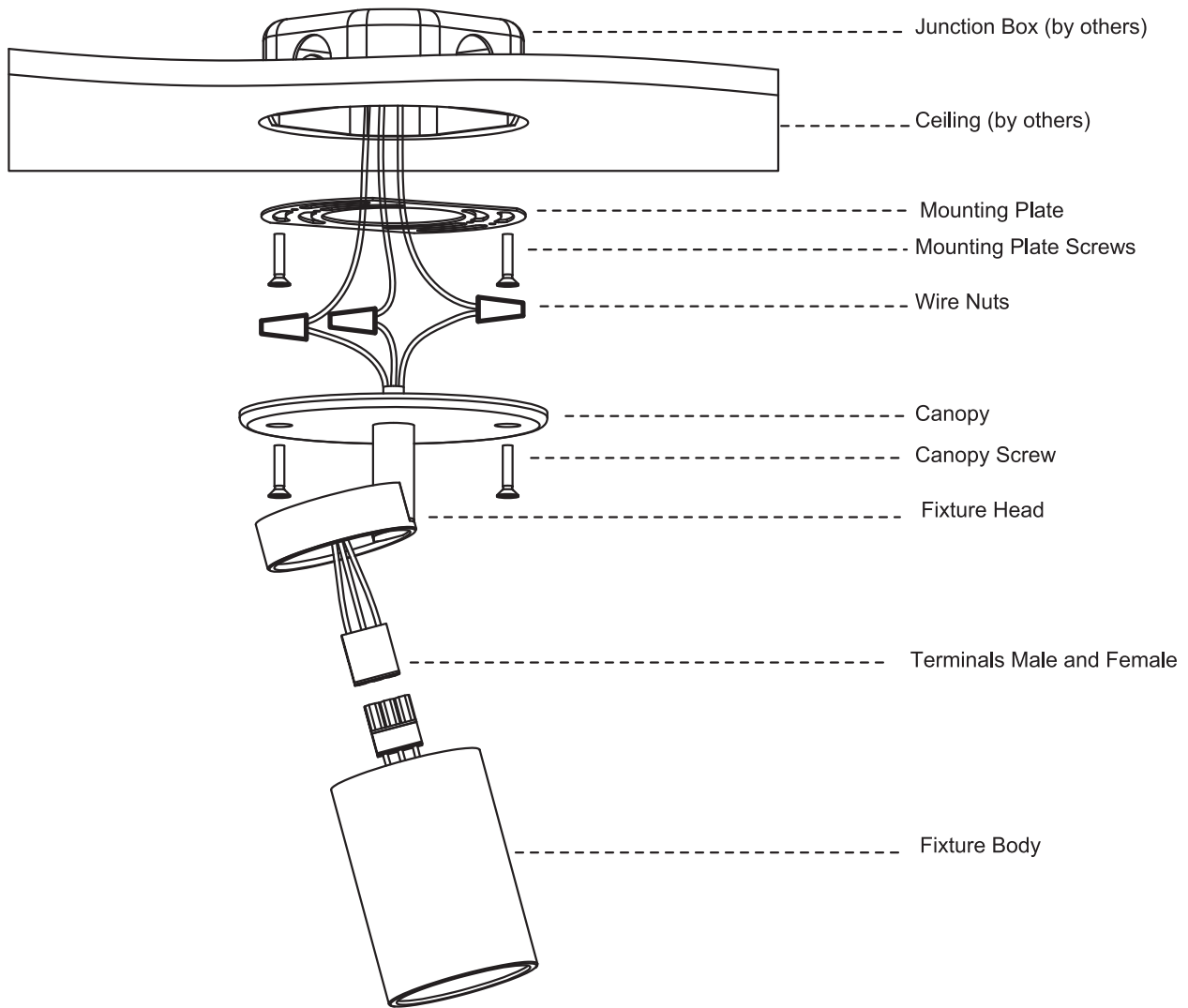
## INSTALLATION STEPS

1. Separate Mounting Plate from Canopy (by removing (2) Canopy Screws).
2. Attach Mounting Plate to Electrical Junction Box using (2) Mount Plate Screws.
3. Make proper electrical connections (black to hot "L", white to neutral "N", ground to "GND") with wire nuts provided.
4. Secure the Canopy to the Mounting Plate with removed (2) Canopy Screws.
5. Connect the Terminals Male and Female.
6. Screw the Fixture Body to the Fixture Head.

## Pendant Mount Drawing



**Spotlight Mounted Drawing**



**Surface Mounted Drawing**

