



CORRUGATED The Acoustic Light



PRODUCT DESCRIPTION

The Corrugated acoustic light is made up of a sound absorbing polyester fiber materials. It is a new materials that integrate sound absorbing, heat insulation and decorative effects. The corrugated surface allows for various frequencies of sound to be absorbed within a space. Deep anti-glare cup optic design is for better glare control.

FEATURE

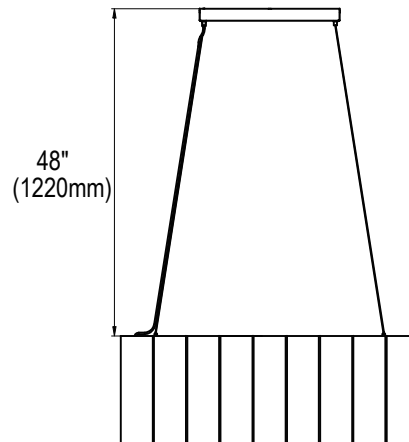
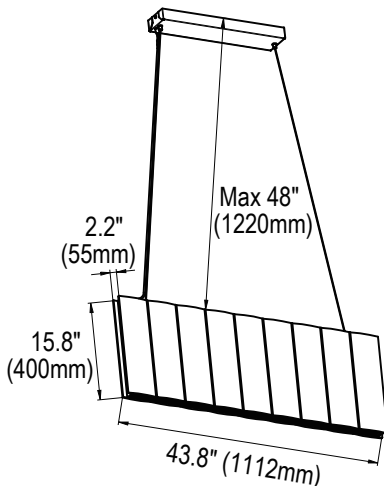
- Corrugated surface design for better sound absorbing
- Sound absorbing polyester fiber
- Deep anti-glare cup optics
- Various finish colors available

ELECTRICAL SYSTEM

- Input Voltage: 120-347V, 50/60Hz
- 0-10V Dimming optional
- Minimum Ambient -20°C, Maximum Ambient is 40°C
Power Factor: > 0.9 at full load
- Total Harmonic Distortion: < 20% at full load

SPECIFICATION

Net Weight: 7.72 lbs / 3.5 kg



PERFORMANCE

CRI

80

CCT

3000K, 3500K, 4000K

Dimming

0-10V Dimming

Projected Lifetime

L70 - 100,000 Hours

Working Temperature

-4-104°F (-20-40°C)

Certifications

- cETLus conforms to UL Std. 1598
Cert. to CSA Std. C22.2 No.250.0
- Suitable for dry locations
- RoHs compliant

Ordering Information

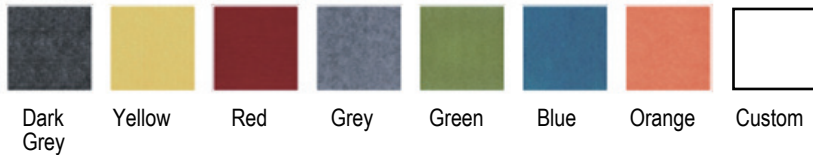
Example: CORD36-40808-DG

Series	Distribution	Watts	CCT	CRI	Voltage	Installation	Controls	Coat Finish
COR	D - Direct	36 - 36W	30 - 3000K 35 - 3500K 40 - 4000K	80 - 80Ra	8-120-347V	Blank -Pendant	- Blank-None	- DG-Dark Grey ¹ GN-Green BU-Blue

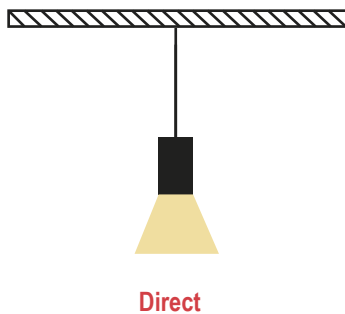
Notice:

1. Dark grey is standard. Other finish colors are available for a premium setup fee. Consult customer service for additional information.

Color Options



Illumination Ratio



PERFORMANCE DATA

LUMEN OUTPUT

Lumen values are measured by third party certified laboratories performed in accordance with IESNA LM-79-08 as well as Lighting Facts listed.

Nominal Watts	Measured Watts	Lumen Output	AC Input 120V	CCT	CRI	LPW
36	35	3500	0.3A	4000K	80	100

Warranty

Five year limited warranty.

Note:

Specifications subject to change without notice.