



WWRP LED WRAPAROUND LIGHT

3500K	4000K	5000K
30W	35W	40W
SELECTABLE		



PRODUCT DESCRIPTION

The WWRP led wraparound light with metal housing, wide and tree-side optical design provides widespread illumination. This cost effective LED utility wrap fixture provides high uniformity, excellent efficiency and reduced glare. Widely used for Indoor Excellent for Offices, Hallways, Multipurpose Rooms ,Office Buildings, Conference Rooms,super market, store and many other applications.

FEATURES

- Simple sheet iron design
- Wide and tree-side optical lens
- Wattage and CCT selectable
- DLC 5.1 listed

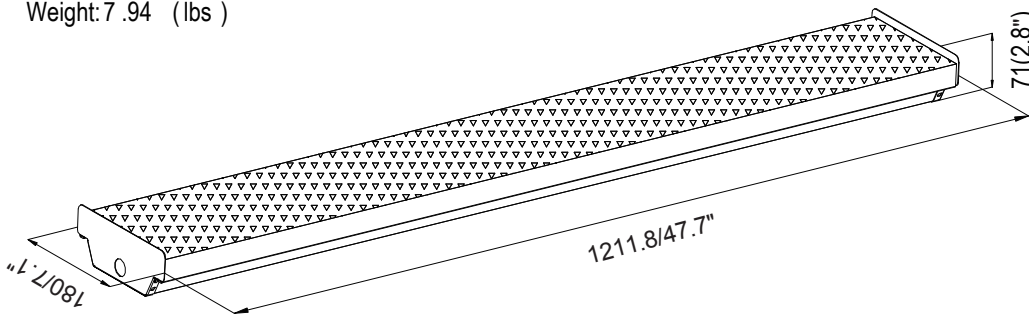
ELECTRICAL SYSTEM

- Input Voltage: 120-277V, 50/60Hz
- Operating temperature range: -4-104°F (-20-40°C)
- Power Factor: > 0.9 at full load
- Total Harmonic Distortion: < 20% at full load

SPECIFICATION

4FT

Length: 1211.8 MM (47.7")
Width: 180 MM (7.1")
Depth: 71 MM (2.8")
Weight: 7.94 (lbs)



PERFORMANCE

CRI

80

CCT

3500K、 4000K、 5000K

Projected Lifetime

L70 - 100,000 Hours

Working Temperature

-4-104°F (-20-40°C)

Certifications

- cULus listed
- DLC 5.1 listed
- Dry location
- RoHS compliant

Ordering Information

Example: WWRP12D-SP-SW1

Name	Dimension	Dimmable	Watts	CCT	Voltage	Control
WWRP	12 - 4FT	D - 0-10V Dimmable	SP - Selectable Power 30W/35W/40W ¹	SW - Selectable White 3500K/4000K/5000K ²	1 - 120-277V	Blank - None

Notes:

- 40W is default setting, If need other wattage, please contact Customer Service in advance to change the setting in factory or change the setting in the field.
 - 4000K is default setting. If need other CCT please contact Customer Service in advance to change the setting in factory or change the setting in the field.
- * White finish is standard. Additional charge will apply for optional finish.

PERFORMANCE DATA

LUMEN OUTPUT

Lumen values are measured by third party certified laboratories performed in accordance with IESNA LM-79-08 as well as Lighting Facts listed.

Watts	Size	Nominal Lumen	CCT	CRI	LPW
30W	4FT	4110lm	4000K	>80	137
35W	4FT	4690lm	4000K	>80	134
40W	4FT	5240lm	4000K	>80	131

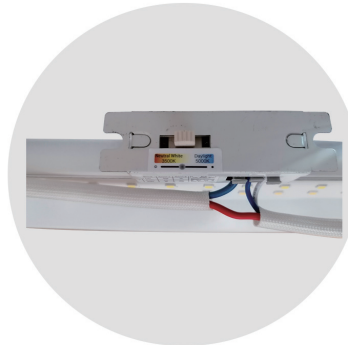
Lumen Ambient Temperature (LAT) Multipliers

Use these factors to determine relative lumen output for average ambient temperature from -4-104°F (-20-40°C).

Ambient		Multiplier
Celsius	Fahrenheit	
0	32	1.02
10	50	1.01
20	68	1.00
25	77	1.00
30	86	1.00
40	104	0.99



Wattage Selectable



CCT Selectable

Warranty

Five year limited warranty.

Note:

Specifications subject to change without notice.