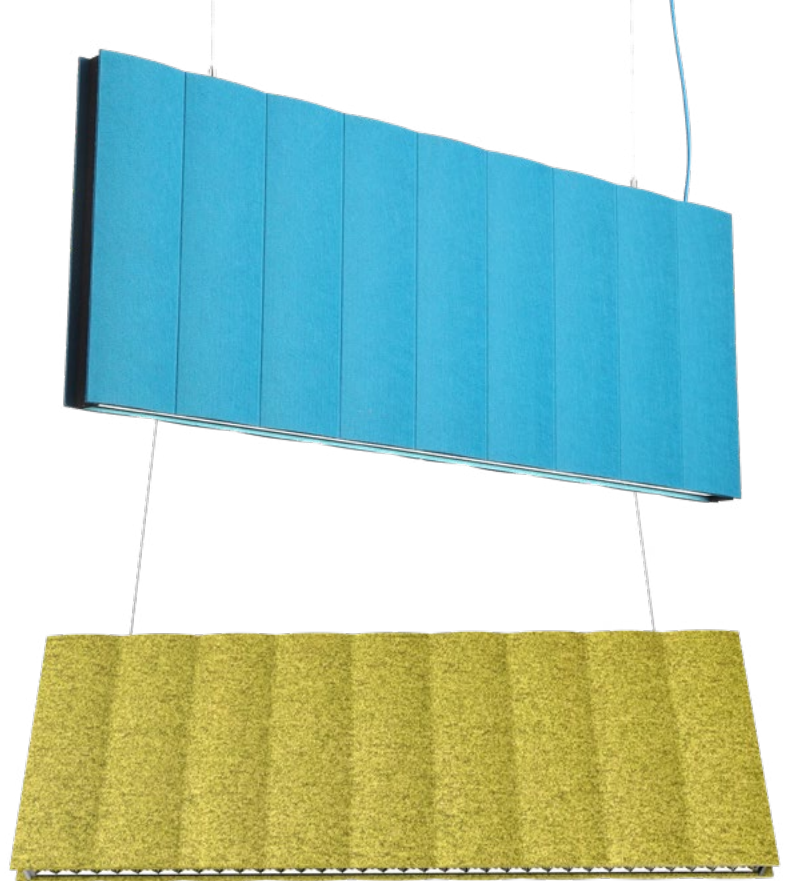




CORRUGATED

The Acoustic Light

- Corrugated surface design for better sound absorbing
- Sound absorbing polyester fiber
- Deep anti-glare cup optics
- Direct and indirect distribution
- Various finish colors available





Description

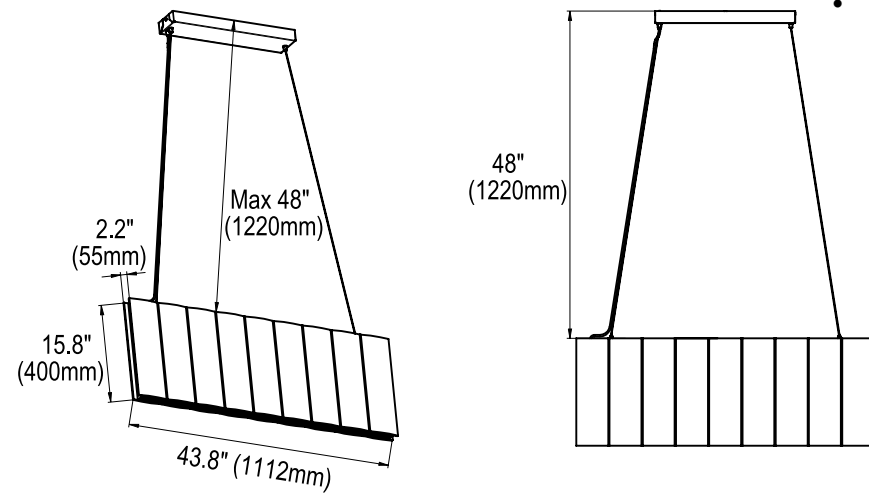
The Corrugated acoustic light is made up of a sound absorbing polyester fiber materials. It is a new materials that integrate sound absorbing, heat insulation and decorative effects. The corrugated surface allows for various frequencies of sound to be absorbed within a space. Deep anti-glare cup optic design is for better glare control.

Input Watts (Nominal):	36W
Input Voltage:	120V-347V
Distribution	Indirect & Direct
Lumen Output	3500
Efficacy@4000K	100lm/w
CCT	4000K
CRI	80
Working Temperature:	-4-104°F (-20-40°C)

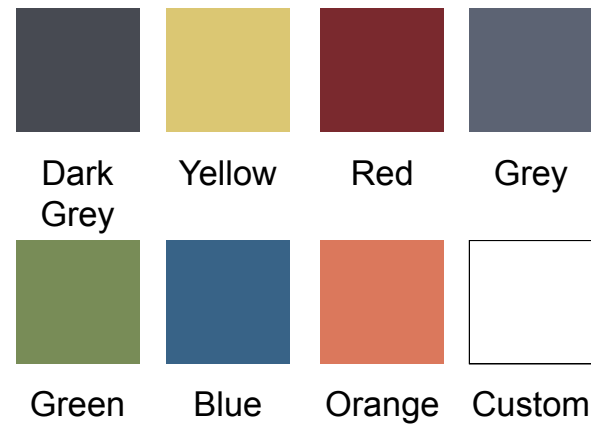
- Input Voltage: 120-277V, 50/60Hz
- 0-10V Dimming optional
- Minimum Ambient -20°C, Maximum Ambient is 40°C
- Power Factor: > 0.9 at full load
- Total Harmonic Distortion: < 20% at full load

Specification

Net Weight: 7.72 lbs / 3.5 kg



- Corrugated surface design for better sound absorbing



- Sound absorbing polyester fiber



- Deep anti-glare cup optics

- Direct and indirect distribution



