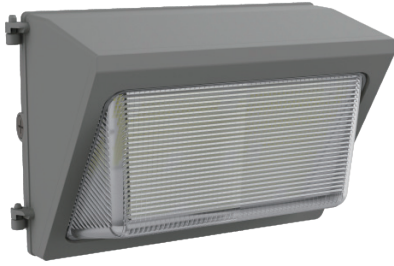


PUS CLASSIC LED WALL PACK



PRODUCT DESCRIPTION

The PUS Selectable Classic LED Wall Pack offers a traditional appearance and is powered by advanced LEDs, featured by wattage and CCT selectable. The Selectable Classic LED Wall Pack is powerful yet energy efficient, with lumen output from 7800lm to 15,600lm, capable of replacing a 400W metal halide luminaire easily. The Selectable Classic LED Wall Pack not only is suitable for entryway / pathway lighting with 8'-15' mounting heights but also suitable for area / perimeter lighting up to 25' mounting heights.

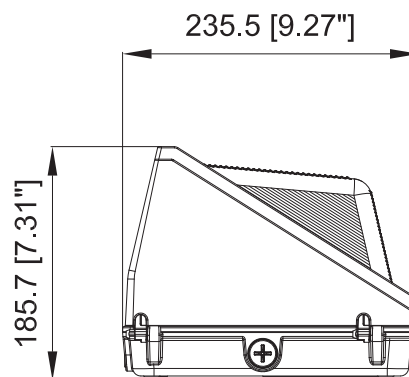
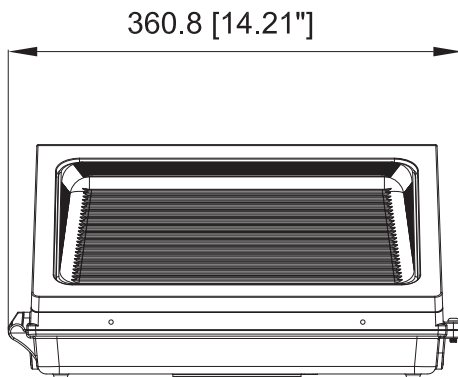
FEATURES

- Wattage selectable
- 3500K, 4000K and 5000K selectable
- Lumen output range from 7800lm to 15,600lm
- Button photocontrol available
- Tempered glass lens

ELECTRICAL SYSTEM

- Input voltage: 120-277V
- 50/60Hz
- Power Factor: >0.9
- Total Harmonic Distortion: <20% at full load
- Working Temperature: -40 - 104°F (-40 - 40°C)

DIMENSION



PERFORMANCE

CRI

70

CCT

3500K, 4000K, 5000K selectable

Dimming

0-10V Dimming Standard

Projected Lifetime

L70 -100,000 Hours

Working Temperature

-40 - 104°F (-40 - 40°C)

Certifications

- cUL listed
- DLC 5.1 Premium listed
- Suitable for wet locations
- RoHs compliant
- Sale in US only

Ordering Information

Example: SCWP-SPS-SW1-PUS

Name	Watts	CCT	Voltage	Control	Finsh	Version
SCWP	SPS - Selectable Power 60W/80W/100W ¹ SPL - Selectable Power /80W/100W/120W ¹	SW - Selectable White 3500K/4000K/5000K ²	1-120-277V	Blank - None PC - Button Photocontrol	Blank - Bronze	PUS

Ref#: 20220928

Notice:

- SPS@100W and SPL@120W are default setting, If need other wattage, please contact Customer Service in advance to change the setting in factory or change the setting in the field
- 4000K is default setting. If need other CCT please contact Customer Service in advance to change the setting in factory or change the setting in the field.

* Bronze finish is standard. Custom color is available for a premium setup fee. Consult customer service for additional information.

PERFORMANCE DATA

Lumen values are measured by third party certified laboratories performed in accordance with IESNA LM-79-08 as well as Lighting Facts listed.

Nominal Watts	Lumen Output	AC Input 120V	CCT	CRI	LPW
60W	7800	0.49A	4000K	>70	130
80W	10400	0.67A	4000K	>70	130
100W	13000	0.83A	4000K	>70	130
120W	15600	1.00A	4000K	>70	130

WARRANTY

Five year limited warranty.

Note: Specifications subject to change without notice.