



LED DARK SKY WALL PACK



PRODUCT DESCRIPTION

LED Wall Packs are designed and engineered as maintenance free, energy-efficient alternatives to traditional fluorescent, high & low pressure sodium, metal halide, induction, and other types of light sources.

CONTROL

- Photo control: Voltage-specific photocontrols power the fixture when light levels reach 20 lux or below, and turn it off at 30 lux or higher.
- Motion/Daylight sensor: 0-10V microwave-based motion sensor with integral photocontrol, featuring high/low motion detection. Field adjustable for 100% light output in the high with 10, 20, 30, 50 or 0% on the low side. Detection area, hold time, daylight threshold, and dimming level all have DIP switches. At its maximum mounting height of 15 feet, the sensor can detect motion up to 30 feet away. Sensor mounted internally behind glass.

ELECTRICAL SYSTEM

- Input Voltage: 120-277V/120V/277V
- 50/60Hz
- Minimum Ambient -31°F, maximum ambient 104°F
- Power Factor: > 0.9 at 120Vac
- Total Harmonic Distortion: < 20%
- 20W, 30W and 38W integral 2KV surge suppression protection standard
- 52W integral 4KV surge suppression protection standard

PERFORMANCE

CRI
>70

CCT
3000K, 4000K, 5000K

Dimming
0-10V Dimming Standard

Projected Lifetime
L70 - 155,000 Hours

Working Temperature
-31-104°F (-35-40°C)

Certifications

- cETLus Listed
- Suitable for wet location
- RoHS compliant

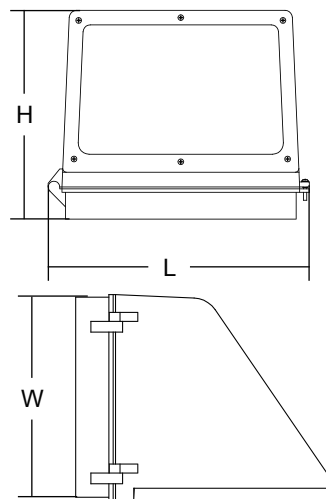
SPECIFICATION

20W, 30W & 38W

Length: 14.4"
 Width: 9"
 Height: 11.4"
 Max. Weight: 9 lbs

52W

Length: 18"
 Width: 9.5"
 Height: 13.5"
 Max. Weight: 15.4 lbs



Ordering Information

Example: ABWP40LED50DS-MSW

ABOVE ALL	Wall Pack	Watts	Source	CCT	Voltage	Distribution	Controls
AB	WP	20-20 Watts	LED	30 - 3000K	Blank - 120-277V¹	DS - Dark Sky Type V	MSW - Microware Motion Sensor²
		30-30 Watts		40 - 4000K			PC12 - Photo Control 120V
		40-38 Watts		50 - 5000K			PC27 - Photo Control 277V
		60-52 Watts					EBU6 - 6W Emergency Battery Backup³
							Leave blank for no controls

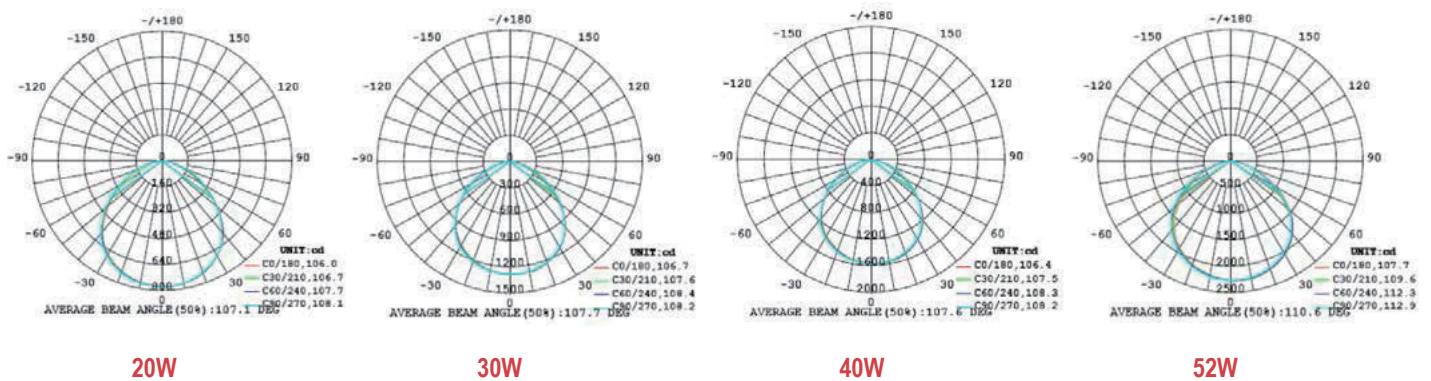
Notice:

- 120-277V is standard. 347/480V can be offered as special requirement. Please contact Customer Service.
- MSW is not available for 20W. The sensor can not be installed in the room of long-time vibration because the vibration signal will be regarded as the moving signal to trigger sensor.
- Working temperature of 32-104°F is for 20W, 30W and 38W. 32-95°F is for 52W. The EBU is Title 20 compliant.

* Bronze finish is standard. Custom color is available for a premium setup fee. Consult customer service for additional information.

PHOTOMETRY

All published luminaire photometric testing performed to IESNA LM-79-08 standards by a NVLAP certified laboratory.



PERFORMANCE DATA

LUMEN OUTPUT

Lumen values are measured by third party certified laboratories performed in accordance with IESNA LM-79-08 as well as Lighting Facts listed.

Watts	Measured Watts	Lumen Output	CCT	AC Input 120V	CRI	LPW
20W	20W	2400	4000	0.17A	>70	120
30W	29W	3700	4000	0.24A	>70	128
38W	35W	4550	4000	0.29A	>70	130
52W	48W	6260	4000	0.40A	>70	130

Lumen Ambient Temperature (LAT) Multipliers

Use these factors to determine relative lumen output for average ambient temperature from -31-104°F (-35-40°C)

Ambient		Multiplier
Celsius	Fahrenheit	
0	32	1.02
10	50	1.01
20	68	1.00
25	77	1.00
30	86	1.00
40	104	0.99

Projected LED Lumen Maintenance

Data references the extrapolated performance projections for the ABWP60LED40DS in a 77°F ambient, (tested per IESNA LM-80-08 and projected per IESNA TM-21-11).

Operating Hours	0	9,000	18,000	37,000	155,000
Lumen Maintenance Factor	1.0	0.98(L98)	0.96(L96)	0.92(L92)	0.70(L70)

System Wattage	Max THD (%)	Power Factor (@ 120Vac)	Replaces/ Equiv.(MH)
20W	<20	>0.9	125W
30W	<20	>0.9	150W
40W	<20	>0.9	175W
52W	<20	>0.9	250W

BUG RATING

Model	BUG Rating
ABWP20LED40DS	B1-U1-G0
ABWP30LED40DS	B2-U1-G1
ABWP40LED40DS	B2-U1-G1
ABWP60LED40DS	B2-U1-G1

Warranty

Five year limited warranty.

Note:

Specifications subject to change without notice.