

MAG SERIES CURVE MAGNETIC TRACK SYSTEM

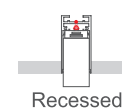
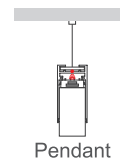
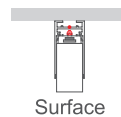


Thanks to the curvy series, the MAG magnetic track system is more than just straight, become curvaceous. Full circle isn't the purpose, compare to realizing the lines in different and gorgeous shapes. Provided with different types and colors, curvy series works perfectly with straight profile to build up various scenes.

CURVE MAGNETIC TRACK PROFILE

GENERAL SPECIFICATION

Material	Aluminum
Color	RAL9004 Black/RAL 9003 White
Input Voltage	24Vdc
Input Current	8A Max



Ordering Information

Example: CMTS-11-24V-BK

Series	- Length	- Voltage	Installation	- Frame Finish
CMTS -Curve Magnetic Track Profile	11 - In circle	24V-24Vdc ¹	Need to order and ship separately²	BK -Black³
	12 - In 1/2 circle		PMK -Pendant Mount Kits	Optional
	14 - In 1/4 circle		SMK- Surface Mount Kits	WH -White³
	18 - In 1/8 circle		RMK- Recessed Mount Kits	

Notice:

- 24V constant voltage LED drivers can be choosed in the following driver list. The 24V constant voltage LED drivers also can be supplied by customer.
- Different mounting kits need to be bought separately. Please check the details in the following accessory list.
- Black finish is standard. Custom color is available for a premium setup fee. Consult customer service for additional information.

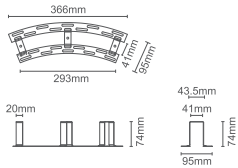
ACCESSORIES (ORDER AND SHIP SEPARATELY)

Recessed kit

■ Sandy Black □ Sandy White



Recessed mounting kits for Curver magnetic track including one piece

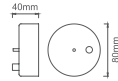


Pendant kit-A

■ Sandy Black □ Sandy White



Suspension 1.2meters with electrical wire (1 pc).



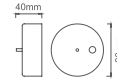
MTS-PM-A-BK

Pendant kit-B

■ Sandy Black □ Sandy White



Suspension 1.2meters(1pc).



MTS-PM-B-BK

CMTS-RM-BK

* The standard sell quantity is one piece per set.
 If for full circle track, 3 pieces recessed mounting kits are suggested.
 If for 1/2 curve track, 2 pieces recessed mounting kits are suggested.
 If for 1/4 and 1/8 curve track, 1 piece recessed mounting kits is suggested.

Surface Mount Kits

■ Sandy Black □ Sandy White



MTS-SM-BK

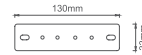
Surface mounted for magnetic track, includes 4pcs

Track connector

■ Sandy Black □ Sandy White



Profile connection.

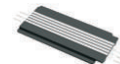


MTS-CNCT-BK

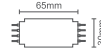
* The track connector must be worked together with power plate

Power plate 65mm

■ Sandy Black □ Sandy White



Electric connection, with 2 pins.



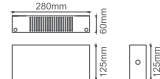
MTS-PP-65-BK

Driver box

■ Sandy Black □ Sandy White



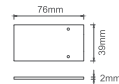
Empty box.



MTS-DBOX-BK

End cap

■ Sandy Black □ Sandy White



MTS-CAP-BK

Pin3

□ Sandy White



Pin connector for electric connection.

MTS-PIN3

CONSTANT VOLTAGE LED DRIVER LIST (ORDER AND SHIP SEPARATELY)

NON-DIMMABLE LED DRIVER

50W



XLG-50-24

50W, non-dimmable
 Size: 180x63x35.5mm
 input voltage: AC100-305V,
 output voltage: 24V DC

100W



XLG-100-24

100W, non-dimmable
 Size: 180x63x35.5mm
 input voltage: AC100-305V,
 output voltage: 24V DC

150W



XLG-150-24

150W, non-dimmable
 Size: 180x63x35.5mm
 input voltage: AC100-305V,
 output voltage: 24V DC

200W



XLG-200-24

200W, non-dimmable
 Size: 180x63x35.5mm
 input voltage: AC100-305V,
 output voltage: 24V DC

5 IN 1 DIMMABLE LED DRIVER

80W



KVG-24080-DWJ

80W, Triac/0-10V/1-10V/10V PWM
 Size: 220x93x41mm
 input voltage: 120-277V
 output voltage: 24V DC

100W



KVG-24100-DWJ

100W, Triac/0-10V/1-10V/10V PWM
 Size: 220x93x41mm
 input voltage: 120-277V
 output voltage: 24V DC

150W



KVG-24150-DWJ

150W, Triac/0-10V/1-10V/10V PWM
 Size: 260x103x46mm
 input voltage: 120-277V
 output voltage: 24V DC

200W



KVG-24200-DWJ

200W, Triac/0-10V/1-10V/10V PWM
 Size: 260x103x46mm
 input voltage: 120-277V
 output voltage: 24V DC

DALI INTELLIGENT LED DRIVER

100W

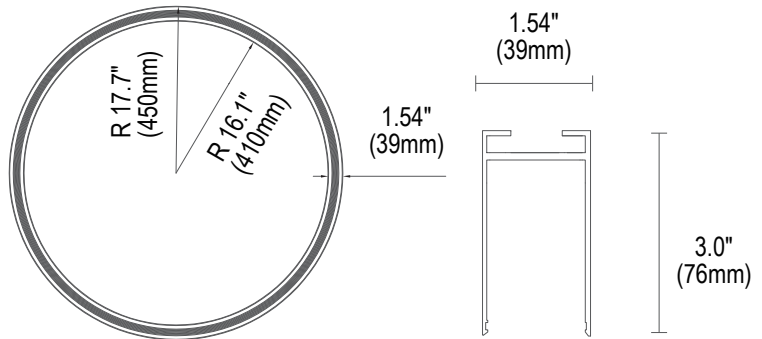


LM-100-24-G1D2

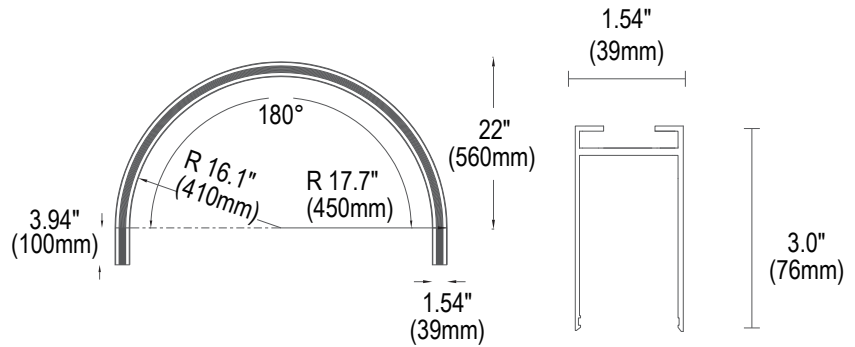
100W, DALI-2, Push DIM
 Size: 352x43x30mm(LxWxH)
 input voltage: AC120-277V,
 output voltage: 24V DC

DIMENSION

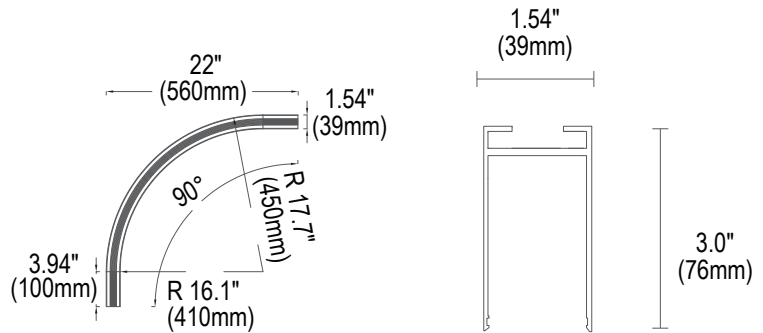
CURVE IN CIRCLE



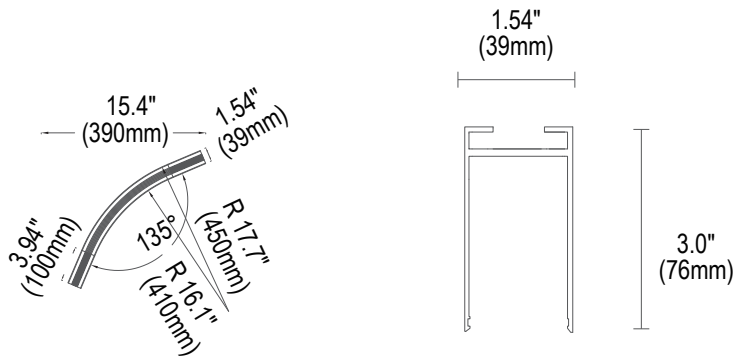
CURVE IN 1/2



CURVE 4/1



CURVE 8/1



INSTALLATION



Surface



Pendant



Recessed



Full



1/2



1/4



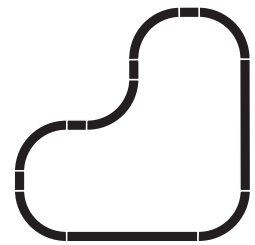
1/8



Creative design



Creative design



Creative design

CURVE DOT SERIES MAGNETIC TRACK LIGHT

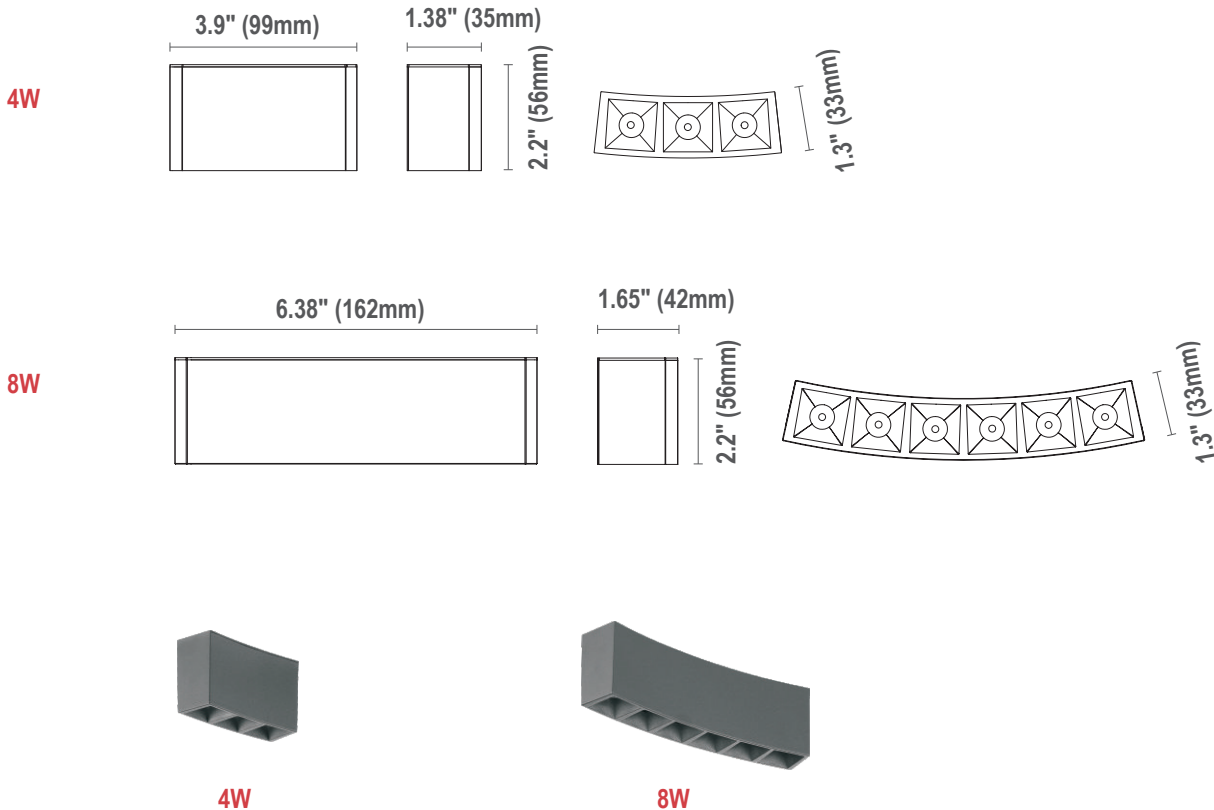
GENERAL SPECIFICATION

The Curve dot series is ideal for spot lighting. This design features a deep antiglare spot lens that allows for multiple beam angles, and is available in different wattages and lengths with elegant clean body.

Beam angle: 12/34/48°
 CCT: 2700K/3000K/4000K
 CRI: RA90
 DIM: Triac, 0/1-10V,
 Installation: Magnetic
 Environment: Indoor



DIMENSION



Ordering Information

Example: CDOT04-3090-24V-34-MTM-BK

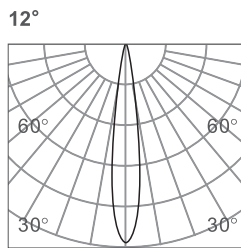
Series	Watts	- CCT&CRI	- Voltage	Beam Angle	Installation	- Finish
CDOT	04 - 4W/ 3.9"	2790 - 2700K 90Ra	24V-24Vdc ¹	12 - 12 degree	MTM - Magnetic Track Mount	BK -Black ²
	08 - 8W/ 6.38"	3090 - 3000K 90Ra		34 - 34 degree		
		4090 - 4000K 90Ra		48 - 48 degree		

Notice:

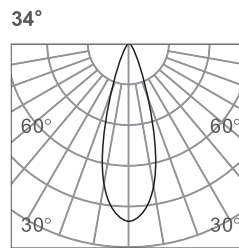
1. The fixture is used for 24V magnetic track system.
2. Standard Finish is black. Custom colors might be available for an additional fee. Please check with Customer Service for more information.

PHOTOMETRY

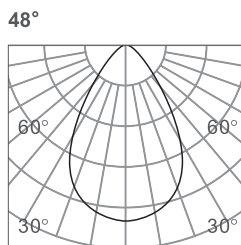
All published luminaire photometric testing performed to IESNA LM-79-08 standards by a NVLAP certified laboratory.



h(m)	E(lx)	Φ(m)
1	3693	Φ0.23
2	923	Φ0.47
3	410	Φ0.71
4	230	Φ0.94
5	147	Φ1.18



h(m)	E(lx)	Φ(m)
1	1238	Φ0.61
2	309	Φ1.22
3	137	Φ1.83
4	77	Φ2.44
5	49	Φ3.05



h(m)	E(lx)	Φ(m)
1	778	Φ0.91
2	194	Φ1.82
3	86	Φ2.73
4	48	Φ3.64
5	31	Φ4.55

PERFORMANCE DATA

Lumen values are estimated with LED data sheet.

Watts	Lumen Output	CRI	Beam Angle	CCT	LPW
4	300	90	12°/34°/48°	3000K	95
8	640	90	12°/34°/48°	3000K	92

CURVE LIN SERIES MAGNETIC TRACK LIGHT

GENERAL SPECIFICATION

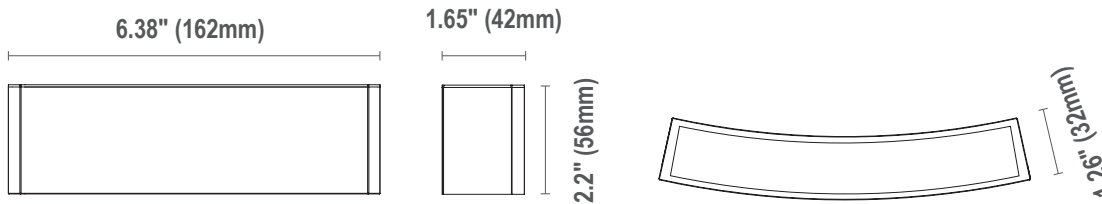
The Curve LIN series is a linear lighting solution designed to work with our Curve Magnetic Track System. It features a low glare diffused lens and is available in several different wattage/ length combinations all housed in an elegant body.

CCT: 2700K/3000K/4000K
CRI: RA90
Lens: Diffused
DIM: Triac,0/1-10V,
Installation: Magnetic
Environment: Indoor



DIMENSION

7W



Ordering Information

Example: CLIN04-3090-24V-DL-MTM-BK

Series	Watts	- CCT&CRI	- Voltage	Lens	Installation	- Finish
CLIN	07 - 07W/6.38"	2790 - 2700K 90Ra 3090 - 3000K 90Ra 4090 - 4000K 90Ra	24V-24Vdc ¹	DL - Diffused Lens	MTM - Magnetic Track Mount	BK -Black ²

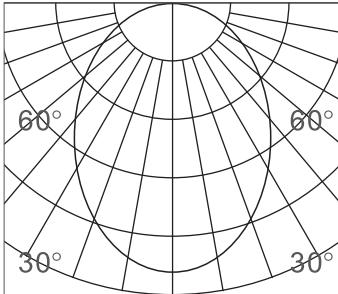
Notice:

1. The fixture is used for 24V magnetic track system.
2. Standard Finish is black. Custom colors might be available for an additional fee. Please check with Customer Service for more information.

PHOTOMETRY

All published luminaire photometric testing performed to IESNA LM-79-08 standards by a NVLAP certified laboratory.

Diffuse



h(m)	E(lx)	Φ(m)
1	105.5	Φ2.60
2	26.3	Φ5.20
3	11.7	Φ7.80
4	6.5	Φ10.40
5	4.2	Φ13.00

PERFORMANCE DATA

Lumen values are estimated with LED data sheet.

Watts	Lumen Output	CRI	Lens	CCT	LPW
7	490	90	Diffused	3000K	70

CURVE CYLINDER SPOT

GENERAL SPECIFICATION

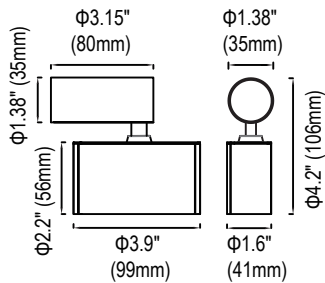
Two sizes with three different beam angles. Junction arm integrated in the spotlight's body to keep the barycentre aligned with the track. This junction arm allows 360° rotation in horizontal direction and 90° rotation in vertical direction.



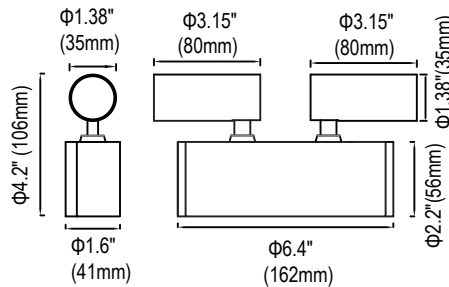
CCT: 2700K/3000K/4000K
CRI: RA90
DIM: Triac,0/1-10V,
Installation: Magnetic
Environment: Indoor

DIMENSION

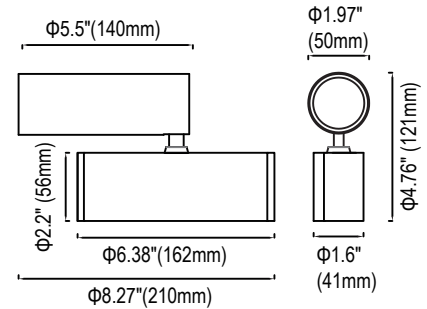
Small 5W



Small 2x5W



Medium 10W



Ordering Information

Example: CCSS2X5-3090-24V-30-MTM-BK

Series	Size	Watts	. CCT&CRI	. Voltage	Lens	Installation	- Finish
CCS	S - Small	5 - 5W	- 2790 - 2700K 90Ra	- 24V-24Vdc ¹	20 - 20 degree	MTM - Magnetic Track Mount	- BK -Black ²
		2X5 - 2X5W	3090 - 3000K 90Ra		30 - 30 degree		
			4090 - 4000K 90Ra		40 - 40 degree		
	M - Medium	10 - 10W			18 - 18 degree		
					24 - 24 degree		
					36 - 36 degree		

Notice:

1. The fixture is used for 24V magnetic track system.
2. Standard Finish is black. Custom colors might be available for an additional fee. Please check with Customer Service for more information.

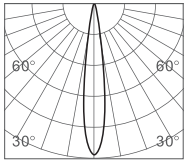

Small Spot 5W

Small Spot 2X5W

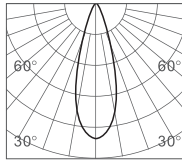
Medium Spot 10W

PHOTOMETRY

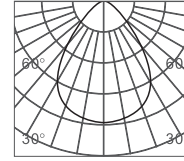
All published luminaire photometric testing performed to IESNA LM-79-08 standards by a NVLAP certified laboratory.

20°


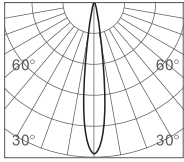
h(m)	E(lx)	Φ(m)
2	563	Φ0.69
3	250	Φ1.03
3.5	183	Φ1.20
4	140	Φ1.38
5	90	Φ1.55

30°


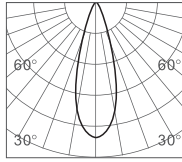
h(m)	E(lx)	Φ(m)
1	2519	Φ0.32
2	629	Φ0.65
3	279	Φ0.98
4	157	Φ1.31
5	100	Φ1.64

40°


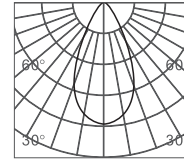
h(m)	E(lx)	Φ(m)
2	278	Φ0.96
3	124	Φ1.44
3.5	91	Φ1.68
4	69	Φ1.92
5	44	Φ2.40

18°


h(m)	E(lx)	Φ(m)
1	3011	Φ0.32
2	752	Φ0.64
3	334	Φ0.97
4	188	Φ1.29
5	120	Φ1.62

24°


h(m)	E(lx)	Φ(m)
1	3857	Φ0.40
2	964	Φ0.81
3	428	Φ1.22
4	241	Φ1.62
5	154	Φ2.03

36°


h(m)	E(lx)	Φ(m)
1	2154	Φ0.64
2	538	Φ1.28
3	239	Φ1.92
4	134	Φ2.56
5	86	Φ3.21

PERFORMANCE DATA

Lumen values are estimated with LED data sheet.

Watts	Lens	Lumen Output	CRI	CCT	LPW
5	20/30/40°	530	90	3000K	106
2X5	20/30/40°	1060	90	3000K	106
10	18/24/36°	680	90	3000K	68

CURVE ROUND SPOT

GENERAL SPECIFICATION

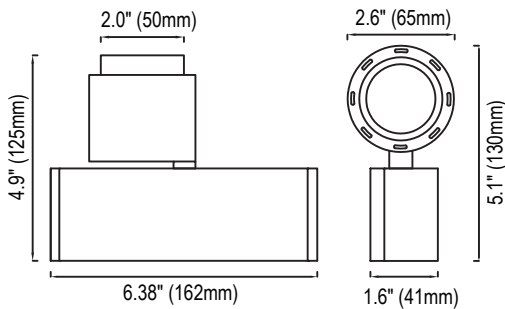
The Curve Round Spot series is available in two sizes and is designed to work with our Curve Magnetic Track System. The junction arm is integrated in the Spots body, keeping the body centered on the track while allowing for 360° rotation along the horizontal plane and 90° rotation along the vertical plane. The fixture is available in three beam angles.



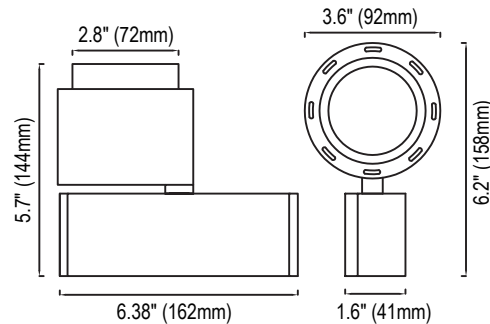
CCT: 2700K/3000K/4000K
CRI: RA90
DIM: Triac,0/1-10V,
Installation: Magnetic
Environment: Indoor

DIMENSION

Small 8W



Large 15W



Ordering Information

Example: CRSS08-3090-24V-30-MTM-BK

Series	Size	Watts	- CCT&CRI	- Voltage	Lens	Installation	- Finish
CRS	S - Small	08 - 8W	-2790 - 2700K 90Ra	-24V-24Vdc ¹	10 - 10 degree	MTM - Magnetic Track Mount	- BK -Black ²
			3090 - 3000K 90Ra		20 - 20 degree		Optional
	L - Large	15 - 15W	4090 - 4000K 90Ra		30 - 30 degree		WH -White ²

Notice:

- The fixture is used for 24V magnetic track system.
- Standard Finish is black. Custom colors might be available for an additional fee. Please check with Customer Service for more information.



Small Spot 8W

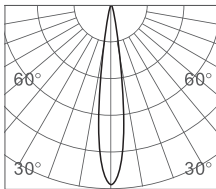


Large Spot 15W

PHOTOMETRY

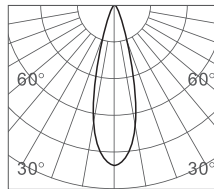
All published luminaire photometric testing performed to IESNA LM-79-08 standards by a NVLAP certified laboratory.

10°



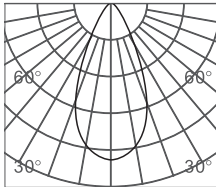
h(m)	E(lx)	Φ(m)
2	4203	Φ0.20
3	1051	Φ0.40
3.5	467	Φ0.61
4	262	Φ0.81
5	168	Φ1.02

20°



h(m)	E(lx)	Φ(m)
1	2675	Φ0.26
2	668	Φ0.53
3	297	Φ0.80
4	167	Φ1.06
5	107	Φ1.33

30°



h(m)	E(lx)	Φ(m)
2	699	Φ0.53
3	174	Φ1.06
3.5	77	Φ1.60
4	43	Φ2.13
5	27	Φ2.66

PERFORMANCE DATA

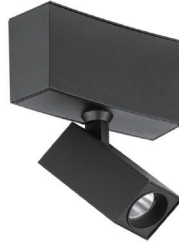
Lumen values are estimated with LED data sheet.

Watts	Lens	Lumen Output	CRI	CCT
8	10/20/30°	255	90	3000K
15	10/20/30°	485	90	3000K

CURVE SQUARE SPOT

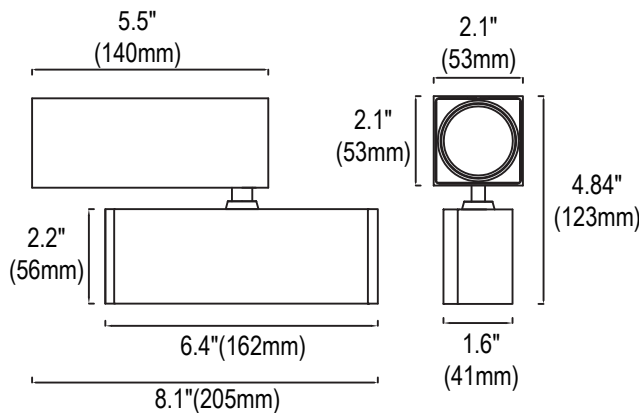
GENERAL SPECIFICATION

Square shape with three different beam angles. The junction arm is integrated in the Spots body, keeping the body centered on the track while allowing for 360° rotation along the horizontal plane and 90° rotation along the vertical plane.



CCT: 2700K/3000K/4000K
CRI: RA90
DIM: Triac,0/1-10V,
Installation: Magnetic
Environment: Indoor

DIMENSION



Ordering Information

Example: CSQ10-3090-24V-24-MTM-BK

Series	Watts	CCT&CRI	Voltage	Lens	Installation	Finish
CSQ	10 - 10W	2790 - 2700K 90Ra	24V-24Vdc ¹	18 - 18 degree	MTM - Magnetic Track Mount	BK -Black ²
		3090 - 3000K 90Ra		24 - 24 degree		Optional
		4090 - 4000K 90Ra		36 - 36 degree		WH -White ²

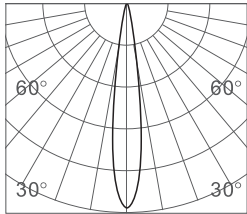
Notice:

- The fixture is used for 24V magnetic track system.
- Standard Finish is black. Custom colors might be available for an additional fee. Please check with Customer Service for more information.

PHOTOMETRY

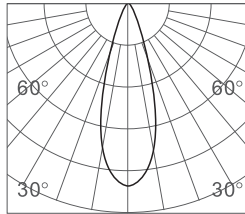
All published luminaire photometric testing performed to IESNA LM-79-08 standards by a NVLAP certified laboratory.

15°



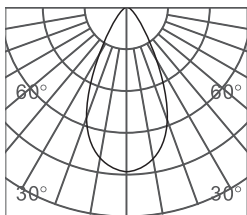
h(m)	E(lx)	Φ(m)
1	3011	Φ0.32
2	752	Φ0.64
3	334	Φ0.97
4	188	Φ1.29
5	120	Φ1.62

24°



h(m)	E(lx)	Φ(m)
1	3857	Φ0.40
2	964	Φ0.81
3	428	Φ1.22
4	241	Φ1.62
5	154	Φ2.03

36°



h(m)	E(lx)	Φ(m)
1	2154	Φ0.64
2	538	Φ1.28
3	239	Φ1.92
4	134	Φ2.56
5	86	Φ3.21

PERFORMANCE DATA

Lumen values are estimated with LED data sheet.

Watts	Lens	Lumen Output	CRI	CCT	LPW
10	18/24/36°	725	90	3000K	72

CURVE GLOWBALL

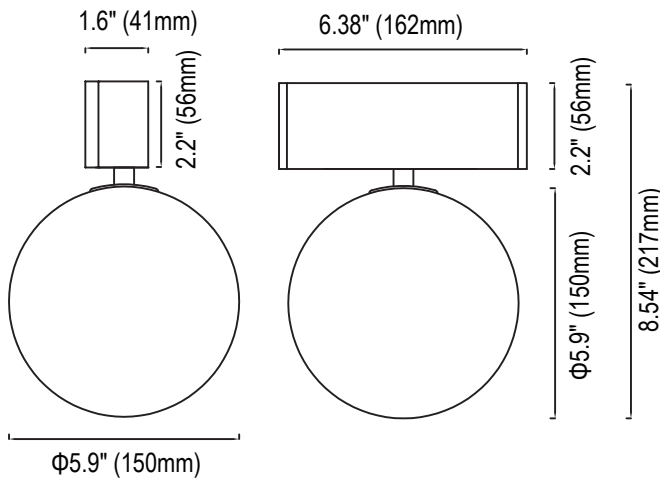
GENERAL SPECIFICATION

Our Curve Glowball Series Magnetic Track Light is designed for decorative and general lighting. The diffuse spherical glass lens yields a smooth uniform light output, and the fixture is available as both a pendant or surface mounted to our 24V magnetic track system.



CCT: 2700K/3000K/4000K
CRI: RA90
DIM: Triac,0/1-10V,
Installation: Magnetic
Environment: Indoor

DIMENSION



Ordering Information

Example: CGBL05-3090-24V-PM-BK

Series	Watts	- CCT&CRI	- Voltage	Lens	Installation	- Finish
CGBL	05 - 5W	- 2790 - 2700K 90Ra 3090 - 3000K 90Ra 4090 - 4000K 90Ra	- 24V-24Vdc ¹	Blank - Diffused	SM - Surface Magnetic Track Mount	- BK -Black ² Optional WH -White ²

Notice:

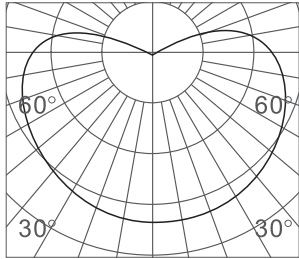
1. The fixture is used for 24V magnetic track system.
2. Standard Finish is black. Custom colors might be available for an additional fee. Please check with Customer Service for more information.

PHOTOMETRY

All published luminaire photometric testing performed to IESNA LM-79-08 standards by a NVLAP certified laboratory.

2700K 80Ra

Diffuse



h(m)	E(lx)	Φ(m)
1	24	Φ2
2	6	Φ4
3	2	Φ6
4	1	Φ8
5	0.9	Φ10

PERFORMANCE DATA

Lumen values are estimated with LED data sheet.

Watts	Lens	Lumen Output	CRI	CCT	LPW
5	Diffused	350	90	3000K	70

CURVE CYLINDER PENDANT

GENERAL SPECIFICATION

Elegant body coating and antiglare cover. Thanks to the length adjustable cable, the magnetic pendant works smooth in different spaces. Comfortable lighting without glare. Minimal glare and multiple light beams.

CCT: 2700K/3000K/4000K

CRI: RA90

DIM: Triac, 0/1-10V,

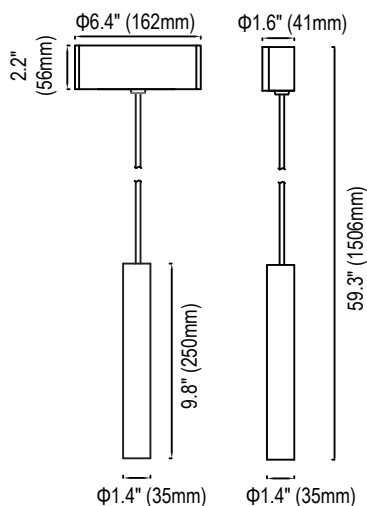
Installation: Magnetic

Environment: Indoor

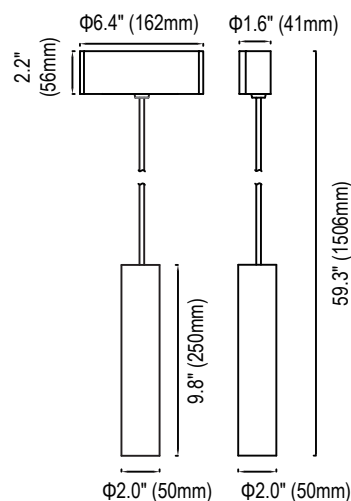


DIMENSION

Small 5W



Large 10W



Ordering Information

Example: CCYLP05-3090-24V-30-MTM-BK

Series	Watts	- CCT&CRI	- Voltage	Lens	Installation	- Finish
CCYLP	05 - 5W	- 2790 - 2700K 90Ra	- 24V-24Vdc ¹	20 - 20 degree	MTM - Magnetic Track Mount	- BK -Black ²
		3090 - 3000K 90Ra		30 - 30 degree		Optional
		4090 - 4000K 90Ra		40 - 40 degree		WH -White ²
	10 - 10W			18 - 18 degree		
				24 - 24 degree		
				36 - 36 degree		

Notice:

1. The fixture is used for 24V magnetic track system.
2. Standard Finish is black. Custom colors might be available for an additional fee. Please check with Customer Service for more information.

Small 5W

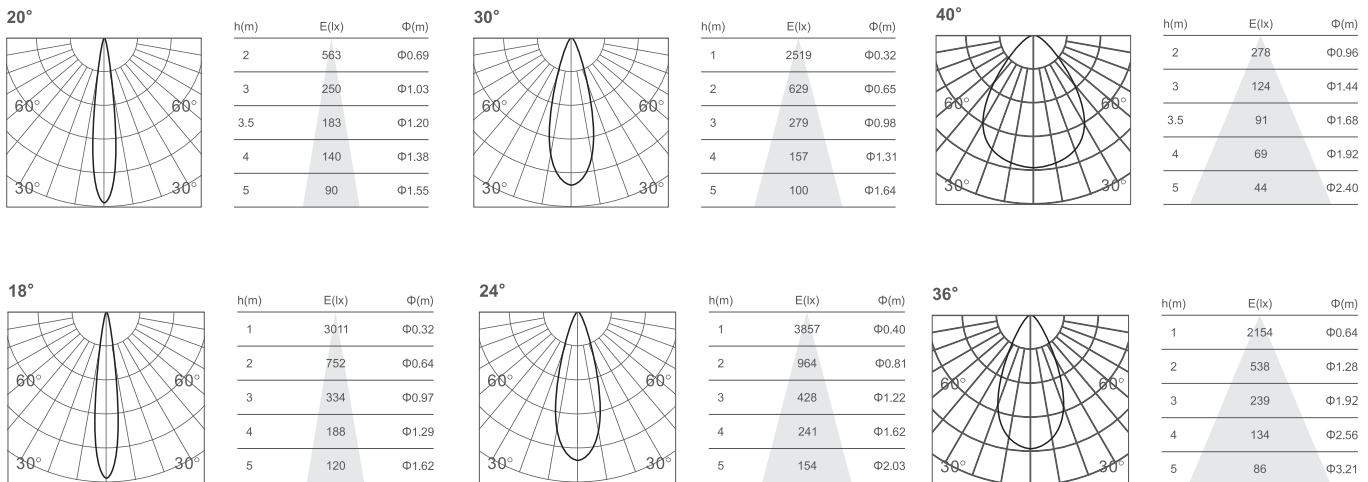


Large 10W



PHOTOMETRY

All published luminaire photometric testing performed to IESNA LM-79-08 standards by a NVLAP certified laboratory.



PERFORMANCE DATA

Lumen values are estimated with LED data sheet.

Watts	Lens	Lumen Output	CRI	CCT	LPW
5	20/30/40°	530	90	3000K	106
10	18/24/36°	680	90	3000K	68

CURVE METEOR PENDANT

GENERAL SPECIFICATION

Not only for decoration, it's professional in atmosphere creation by precious light control. Thanks to the length adjustable cable, the magnetic pendant works smooth in different spaces. Comfortable lighting without glare.

CCT: 2700K/3000K/4000K

CRI: RA90

DIM: Triac, 0/1-10V,

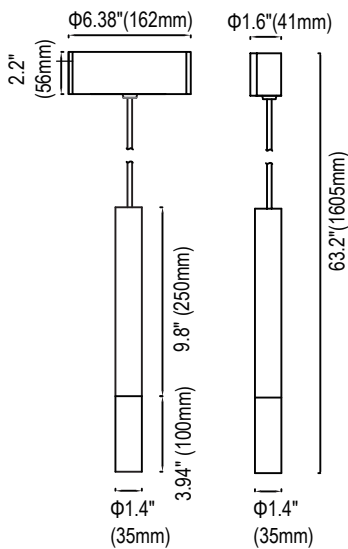
Installation: Magnetic

Environment: Indoor

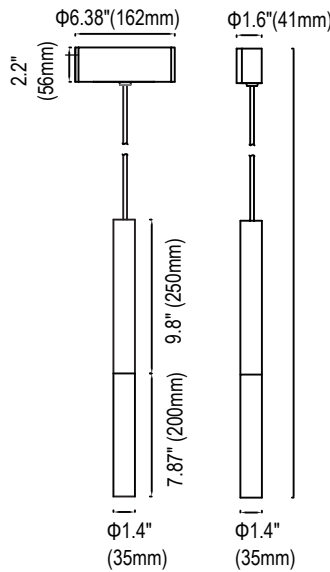


DIMENSION

4" Tube Length



8" Tube Length



Ordering Information

Example: CMET8-05-3090-24V-30-MTM-BK

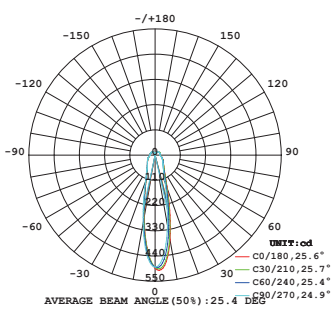
Series	Tube Length	-Watts	- CCT&CRI	- Voltage	Lens	Installation	- Finish
CMET	4 - 4"	05 - 5W	- 2790 - 2700K 90Ra	- 24V-24Vdc ¹	DL - Diffused	MTM - Magnetic Track Mount	- BK -Black ²
	8 - 8"		3090 - 3000K 90Ra				Optional
			4090 - 4000K 90Ra				WH -White ²

Notice:

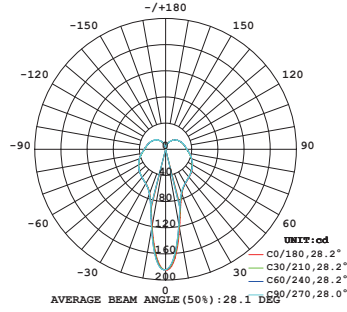
1. The fixture is used for 24V magnetic track system.
2. Standard Finish is black. Custom colors might be available for an additional fee. Please check with Customer Service for more information.

PHOTOMETRY

All published luminaire photometric testing performed to IESNA LM-79-08 standards by a NVLAP certified laboratory.



MET4



MET8

PERFORMANCE DATA

Lumen values are estimated with LED data sheet.

Watts	Tube Length	Lumen Output	CRI	CCT	LPW
5	10cm	460	90	3000K	92
5	20cm	460	90	3000K	92