



SELECTABLE TRUMPET LED WALL LIGHT



PRODUCT DESCRIPTION

The Selectable Trumpet LED Wall Light is ideal for lighting up signs and facades. Die casting aluminum gasketed enclosure, lasting appearance and excellent heat dissipation. Swivel Knuckle can make adjustable angle. Wattage and CCT selectable.

FEATURES

- Ideal for lighting up signs and facades
- Wattage and CCT selectable
- Swivel Knuckle can make adjustable angle
- Photocell sensor available for use as dusk to dawn light

ELECTRICAL SYSTEM

- Input voltage: 120-277V
- 50/60Hz
- Power Factor: >0.9
- Total Harmonic Distortion: <20% at full load

PERFORMANCE

CRI
80

CCT
3000K, 4000K, 5000K selectable

Working Temperature

For 50W, the minimum working temperature is -40°F(-40°C), maximum working temperature is 86°F(30°C).

For 40W, the minimum working temperature is -40°F(-40°C), maximum working temperature is 95°F(35°C).

For 30W, the minimum working temperature is -40°F(-40°C), maximum working temperature is 104°F(40°C).

Projected Lifetime

L70 -100,000 Hours

Dimming

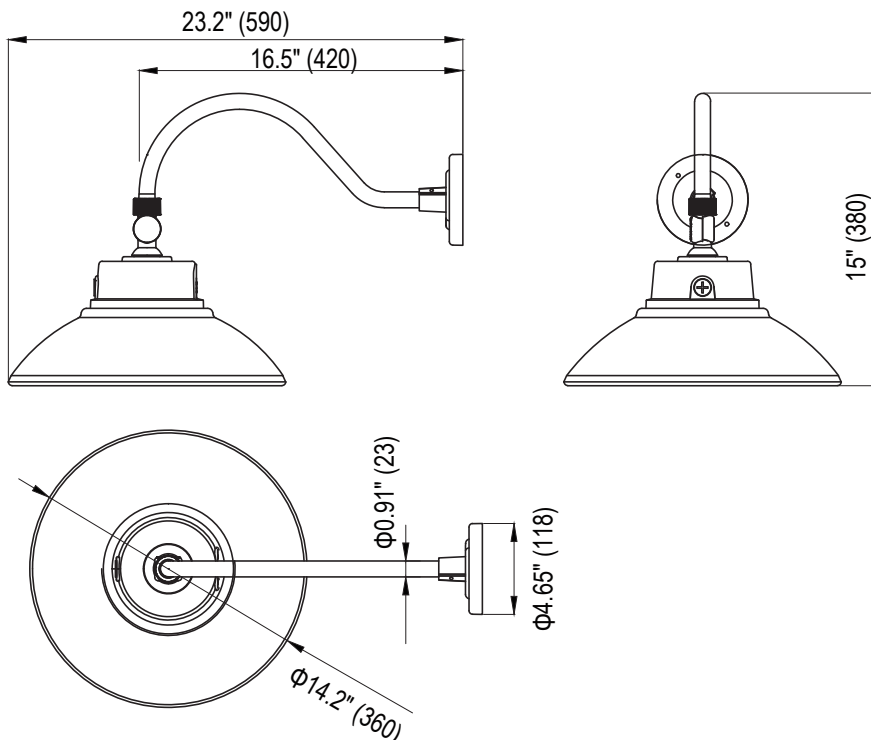
0-10V dimming

Certifications

- ETL listed
- IP65 rated
- Suitable for wet locations
- RoHs compliant

DIMENSION

Net Weight: 3.64lbs(1.65kgs)



Ordering Information

Example: STPT-SP-SW1-PC-T5-BK

Name	Watts	CCT	Voltage	Control	Installation	Optics	Finsh
STPT	SP- Selectable Power 30W/40W/50W ¹	SW - Selectable White 3000K/ 4000K/5000K ²	1-120-277V	PC - Button Photo Control ³	Blank - Gooseneck Arm	T5 -Type V	Standard* BK - Black Optional* BZ - Bronze WH - White

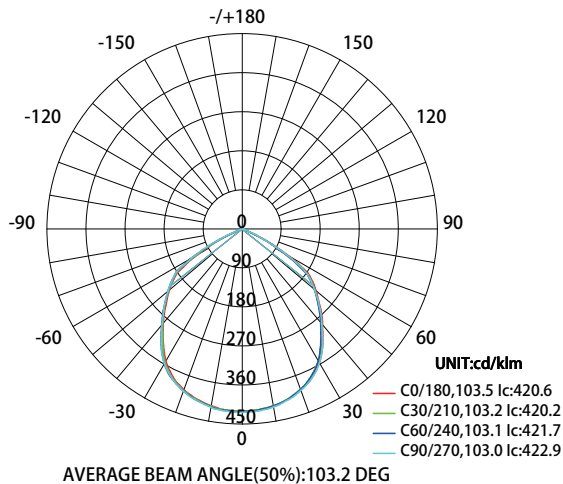
Notice:

- 30W is default setting. 40W or 50W can be set by DIP switch in the field.
- 3000K is default setting. 4000K and 5000K can be set by DIP switch in the field.
- The default setting of photocontrol is turned off. Please turn on the Photocontrol switch during installation if needed.

* Black finish is standard. Optional color might be available for an additional fee. Please check with Customer Service for more information.

PHOTOMETRY

All published luminaire photo metric testing performed to IESNA LM-79-08 standards by a NVLAP certified laboratory.

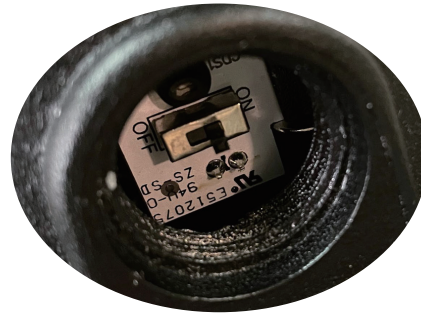


PERFORMANCE DATA

Nominal Watts	Lumen Output	CCT	Input Current @120V	LPW
30W	3600lm	3000K	0.25A	120
30W	3810lm	4000K	0.25A	127
30W	3660lm	5000K	0.25A	122
40W	4600lm	3000K	0.33A	115
40W	5000lm	4000K	0.33A	125
40W	4680lm	5000K	0.33A	117
50W	5500lm	3000K	0.42A	110
50W	6100lm	4000K	0.42A	122
50W	5750lm	5000K	0.42A	115



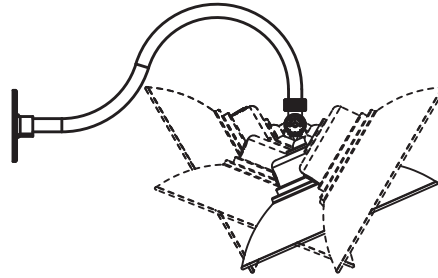
Wattage and CCT selectable



Photocontrol Standard
It can be turned on and off by
DIP switch during installation



Wingnut Tool-less Design



Aadjustable Swivel Knuckle

WARRANTY

Five year limited warranty.

Note: Specifications subject to change without notice.