

## SKY LIGHT LED Area Luminaire



### PRODUCT DESCRIPTION

The Sky Light is low profile, low maintenance and low effective projected area but feature long life. It replaces up to 1000W MH light and can be used as area light and flood light by applying different mounting options. The Sky Light is ideal for Parking Lots, Roadways, Auto Dealerships and Field Lighting.

### FEATURE

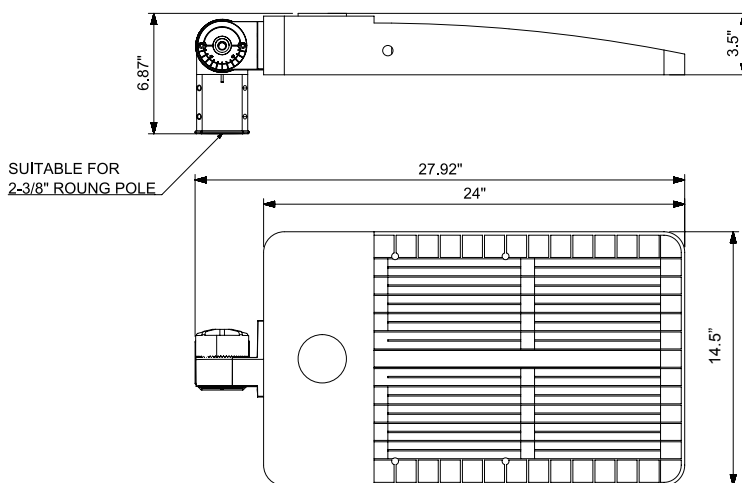
- IES distribution Types II, III & V
- Slip Fitter, trunnion, arm mount
- Photocell, sensor, 7pin receptacle
- 10kA surge protection included

### ELECTRICAL SYSTEM

- Input Voltage: 120-277V, 347V/ 480V
- 50/60Hz
- Minimum Ambient -40°F, maximum ambient 104°F
- Power Factor: > 0.9 @120Vac
- Total Harmonic Distortion: < 20%
- Integral 10KV surge suppression protection standard

### SPECIFICATION

300W Slip Fitter (SF)



### PERFORMANCE

CRI

70+

CCT

3000K, 4000K, 5000K

Dimming

1-10V Dimming Standard

The dimming wires are inside the fixture.

If need to have access to the dimming wire, please contact Customer Service.

Projected Lifetime

L70 - 154,000 Hours

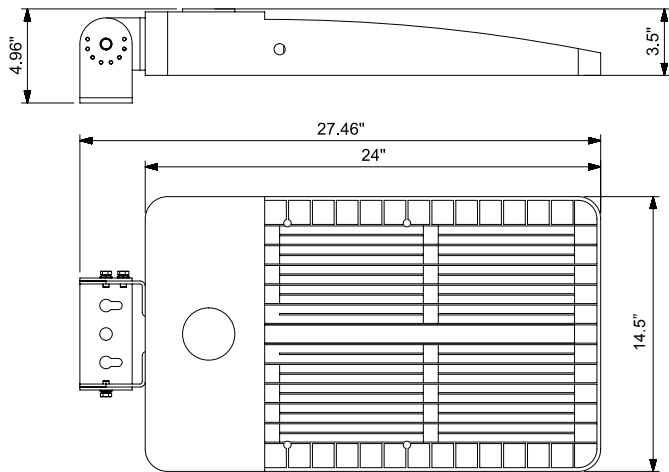
Working Temperature

-40-104°F (-40-40°C)

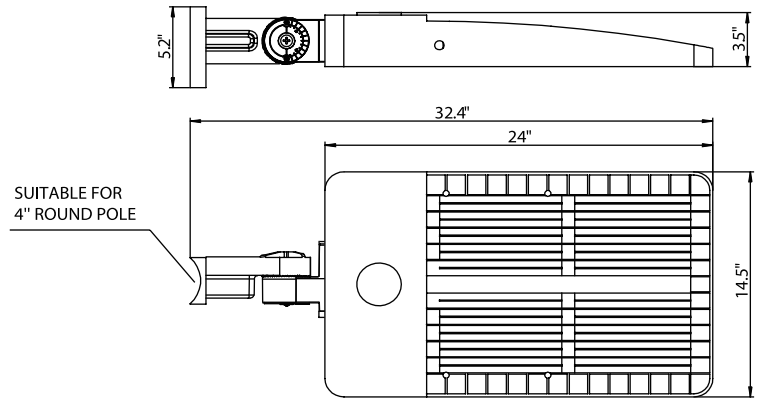
Certifications

- cETLus Listed
- IP65 rated
- RoHS compliant

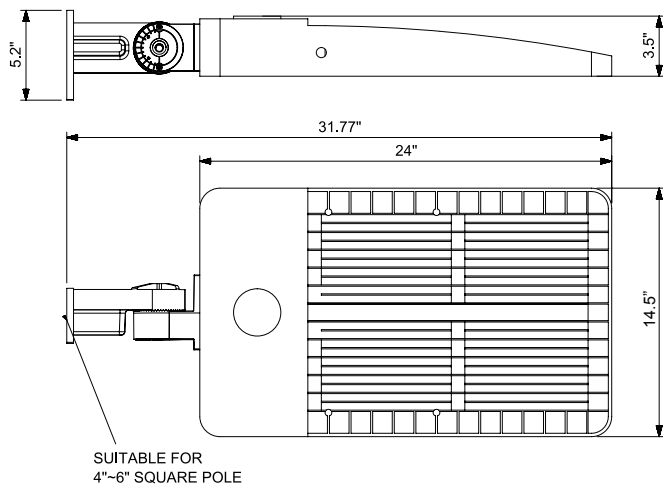
300W Trunnion (TR)



300W Round Pole Arm (RAR)



300W Square Pole Arm (SAR)



## Ordering Information

Example: SL300501-II

Sky Light	Watts	CCT	Voltage	Controls	Distribution	Finish
SL	300 - 300Watts	30 - 3000K	1 - 120-277V	<b>Blank</b> - None	<b>II</b> - Type II	Standard <b>Blank</b> - Dark Bronze
		40 - 4000K	6 - 347V/480V <sup>1</sup>	<b>PC</b> - Photoelectric Control	<b>III</b> - Type III	
		50 - 5000K		<b>7P</b> - 7 Pin PE Receptacle	<b>V</b> - Type V	
				<b>MS-L7B</b> - Motion Sensor with Black L7 Lens <sup>4</sup>		Optional*
				<b>MS-L7W</b> - Motion Sensor with White L7 Lens <sup>4</sup>		<b>AL</b> - Aluminum Silver (See Notes)
			2 - 347V <sup>2</sup>	<b>PC</b> - Photoelectric Control		
			3 - 480V <sup>3</sup>			

- Note:**
- 347/480V is not available for photocontrol and motion sensor.
  - 347V is only used with photoelectric control .
  - 480V is only used with photoelectric control.
  - Motion sensor is only for 120-277V. No inventory for products with Motion sensor. If need products with Motion sensor please check lead time with Customer Service in advance.

\* Standard Finish is Dark Bronze. Custom colors might be available for an additional fee. Please check with Customer Service for more information.

## Accessories (ordered separately/field install)



**90233**  
SL-SAR  
Sky light Square pole Arm



**90266**  
SL-RAR  
Sky light Round pole Arm



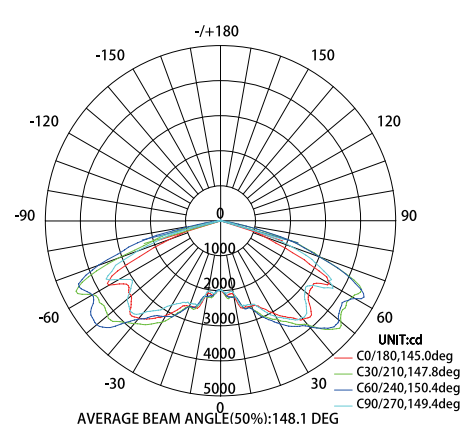
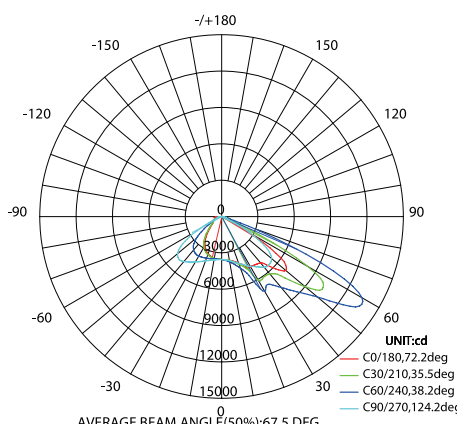
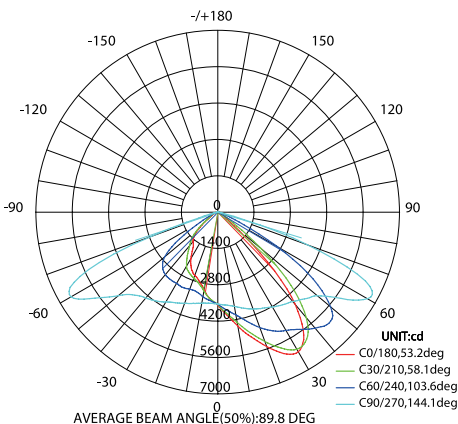
**90236**  
SL-SF  
Sky light Slip Fitter



**90267**  
SL-TR  
Sky light Trunnion

## PHOTOMETRY

All published luminaire photometric testing performed to IESNA LM-79-08 standards by a NVLAP certified laboratory.



## PERFORMANCE DATA

### LUMEN OUTPUT

Lumen values are measured by third party certified laboratories performed in accordance with IESNA LM-79-08 as well as Lighting Facts listed.

Watts Measured	Lumen Output	AC Input	CRI	CCT	Dist. Type	LPW	
Watts	Output	120V	>70	5000K	Type V	131	
300W	310W	40,600lm	2.75A	>70	5000K	Type V	131

### Projected LED Lumen Maintenance

Data references the extrapolated performance projections for the MT LED in a 77°F ambient, (tested per IESNA LM-80-08 and projected per IESNA TM-21-11).

Operating Hours	0	10,000	19,000	37,000	154,000
Lumen Maintenance Factor	0.1	0.98(L98)	0.96(L96)	0.92(L92)	0.70(L70)

System Wattage	Max THD (%)	Power Factor(at 120Vac)	Power Efficiency	Replaces/Equiv. (MH/HPS)
300W	20	>0.9	93%	750-1000W

## Warranty

Five year limited warranty.

## Note:

Specifications subject to change without notice.

### Lumen Ambient Temperature (LAT) Multipliers

Use these factors to determine relative lumen output for average ambient temperature from -40-104°F (-40-40°C).

Ambient		Multiplier
Celsius	Fahrenheit	
0	32	1.02
10	50	1.01
20	68	1.00
25	77	1.00
30	86	1.00
40	104	0.99

Ref#: 20230221

### Effective Project Area

Mounting Arm	Tilt Angle	300W
SAR/RAR/SF/TR	0°	0.75ft <sup>2</sup>
	10°	0.75ft <sup>2</sup>
	20°	1.19ft <sup>2</sup>
SF/TR	30°	1.65ft <sup>2</sup>
	40°	2.06ft <sup>2</sup>
	50°	2.41ft <sup>2</sup>

## BUG RATING

Performed to IESNA LM-79-08 standards by a NVLAP accredited laboratory

Model	BUG Rating
SL300301-II	B5-U0-G4
SL300301-III	B4-U0-G3
SL300301-V	B5-U0-G4
SL300401-II	B5-U0-G4
SL300401-III	B4-U0-G3
SL300401-V	B5-U0-G3
SL300501-II	B5-U0-G4
SL300501-III	B5-U0-G3
SL300501-V	B5-U0-G4