

**SUITABLE FOR MODEL**



**SAFETY INSTRUCTION**



**READ CAREFULLY BEFORE INSTALLING FIXTURE. PLEASE KEEP THIS MANUAL FOR FUTURE USE.**

Fixtures must be wired in accordance with the National Electrical Code and all applicable local codes. Proper grounding is required for safety.

**THIS PRODUCT MUST BE INSTALLED IN ACCORDANCE WITH THE APPLICATION CODE BY A PERSON FAMILIAR WITH THE CONSTRUCTION AND OPERATION OF THE PRODUCT AND THE HAZARDS INVOLVED.**

**MAKE CERTAIN POWER IS OFF BEFORE INSTALLING OR MAINTAINING FIXTURE.**

**CHECK THAT VOLTAGE IS COMPATIBLE WITH FIXTURE DRIVER. USE APPROVED CONNECTORS FOR ALL ELECTRICAL CONNECTIONS.**

**MAINTENANCE CAUTION**



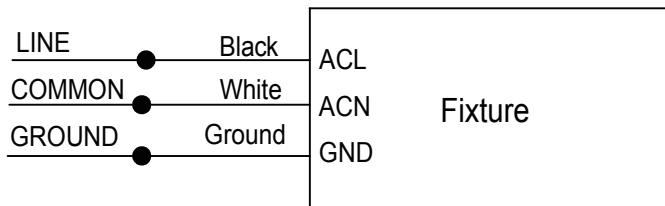
1. Review the wire connection before beginning, and make sure fixture is grounded properly.
2. For lighting controls, follow control instructions carefully.
3. Turn power off and wait for fixture to cool before performing maintenance.
4. Maintenance must be done by professionals.

**WIRE CONNECTION**

Voltage permits operation at 120 to 347VAC, 50 or 60 Hz.

Make the following Electrical Connection:

- a). Connect the voltage supply line to ACL in Black.
- b). Connect the voltage supply Neutral to ACN in White.
- c). Connect ground lead to the supply ground lead.



**WARNING**

**Risk of injury or damage. Make certain power is OFF before installing or maintaining fixture.**

**INSTALLATION**

**ACCESSORY PACK**



WIRE NUT x 3



SCREW x 2

**INSTALLATION STEPS**

1. Separate fixture body from Mounting Plate by removing (2) Set Screws with a hex wrench (by others).
2. Attach Mounting Plate to Electrical Junction Box (by others) using (2) Screws supplied.
3. Make proper electrical connections (black to hot "L", white to neutral "N", ground to "GND") with wire nuts provided.
4. Push all wires and terminals into the J-Box. Then attach the Fixture to the Mounting Plate with the removed (2) Set Screws. The Set Screws must face down. The end with Up-Arrow label must be up. All wires and terminals need to be pushed into Electrical Junction Box and no wires get pinched.
5. Seal around the top and side perimeter between the fixture and the wall surface with weather resistant caulking (by others). Pay attention to leave the bottom un-caulked to prevent moisture build-up.

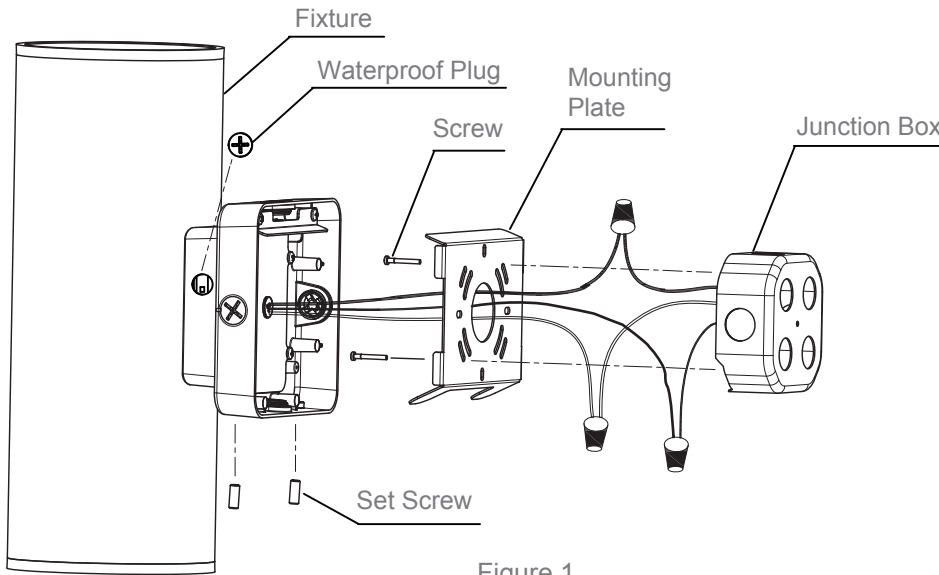


Figure 1

**WATTAGE AND CCT SETTING**

Wattage Default Setting: 40W

CCT Default Setting: 4000K

Wattages and CCT can be set as required by selecting the DIP switch combinations, which is at the side of the fixture.

1. Remove the waterproof plugs with a cross screwdriver (by others). See figure 1.
2. Select desired wattage or CCT by the DIP switches. See figure 2.
3. Replace the removed waterproof plugs.

Wattage Setting		CCT Setting		
20W	40W	3000K	4000K	5000K

Figure 2