

**IMPORTANT**



1. READ ALL INSTRUCTIONS.
2. INSTALL IN ACCORDANCE WITH NATIONAL AND LOCAL ELECTRICAL CODE REGULATIONS.
3. THIS PRODUCT IS INTENDED TO BE INSTALLED AND SERVICED BY A QUALIFIED, LICENSED ELECTRICIAN.
4. DO NOT INSTALL IN WET LOCATIONS. FOR DRY AND DAMP USE ONLY.
5. TURN OFF ELECTRICAL POWER BEFORE INSTALLING OR SERVICING FIXTURE IN ANY WAY.
6. TO REDUCE THE RISK OF FIRE AND OVERHEATING, MAKE SURE ALL CONNECTIONS ARE TIGHT.
7. UNDER NO CIRCUMSTANCES CAN THE LIGHTING FIXTURE BE COVERED WITH HEAT INSULATION GASKET OR SIMILAR MATERIALS.
8. THE MAXIMUM CONNECTION OF EACH INPUT LINE IS UP TO 100' IN 277AC, 40' IN 120AC.

**SHOCK HAZARD**

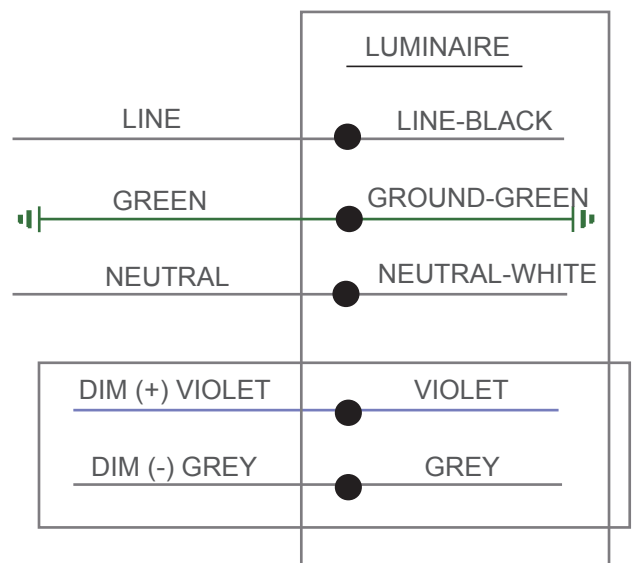


MAY RESULT IN SERIOUS INJURY OR DEATH.  
TURN POWER OFF AT CIRCUIT BREAKER PRIOR TO INSTALLATION OR SERVICING.

**INSTALLATION**

Universal Voltage permits operation at 120VAC thru 277VAC, 50 or 60 Hz.

- a. Connect the black luminaire lead to the supply lead.
  - b. Connect the white luminaire lead to the neutral supply lead.
  - c. Connect the green or green/yellow ground lead to the green supply lead.
- a. If Dimming is an option; connect the violet dimming positive lead to the supply dimming positive lead. If dimming is not being used, ensure to cap off the violet lead.
  - b. If Dimming is an option; connect the grey dimming negative lead to the supply dimming negative lead. If dimming is not being used, ensure to cap off the grey lead.

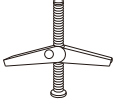







## INSTALLATION

### TOOLS REQUIRED

- |                          |                         |                 |                   |
|--------------------------|-------------------------|-----------------|-------------------|
| 1. Sharp Side Cutter     | 2. Electric Drill       | 3. Level        | 4. Measuring Tool |
| 5. Wire Stripper / Knife | 6. Philips Screwdrivers | 7. Wire Cutters |                   |

### ACCESSORY

Code	C	H	P	Q	N	Y
Picture						
Name	5 FT Aircraft Cable	Wire Nut	Screw	Square Plate	Silicone Seal	Male Quick Connector (5 Holes)

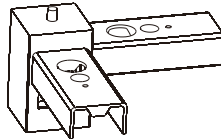
Noted: Silica gel stopper "N" is used to seal seams that may appear at both ends of luminaires when multiple connections.

### JOINER OPTIONS

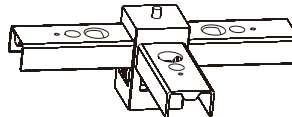
"—" Joiner



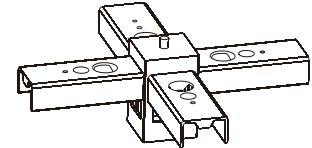
"L" Joiner



"T" Joiner



"+" Joiner



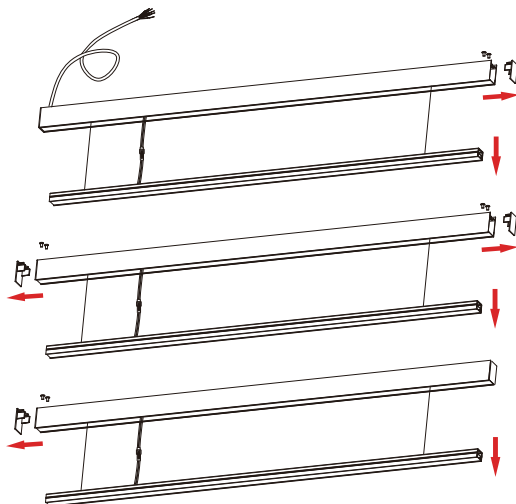
**▲** It needs 2 inputs if using joiner "T" and "+".

### Pre-installation: Disassemble luminaires as shown below

Start of Run (S/R): Remove the end cap without power code, and take the LED module out.

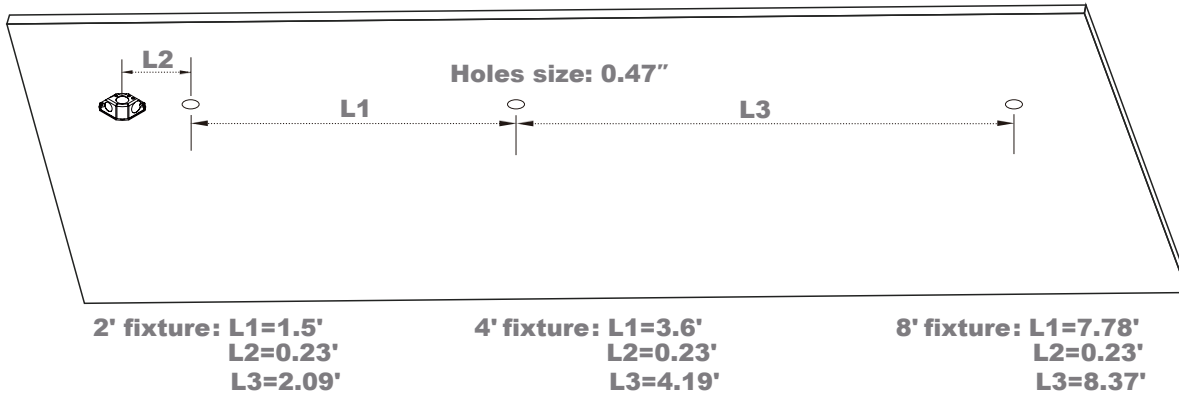
Middle of Run (M/R): Remove both end caps, and take the LED module out.

End of Run (E/R): Remove the end cap with power code, and take the LED module out.



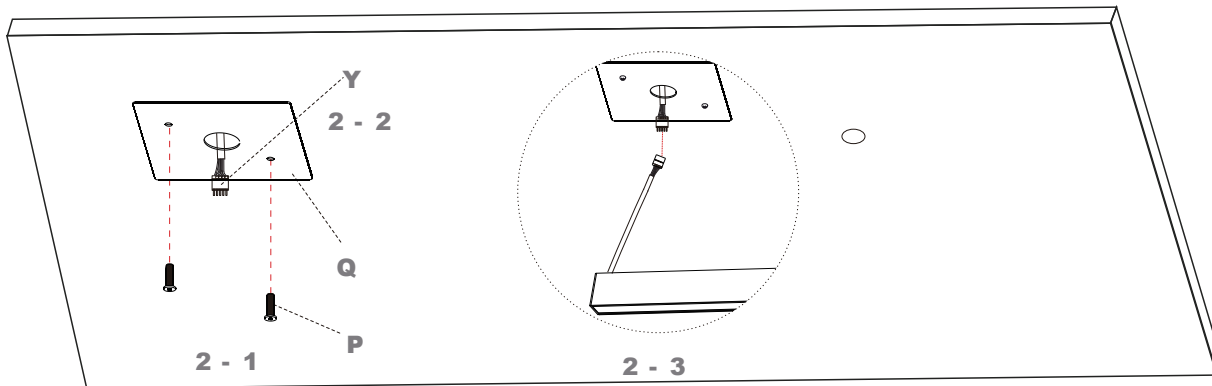
**A. LINE SHAPE CONNECTION**

**STEP 1: Mount plate and wiring**



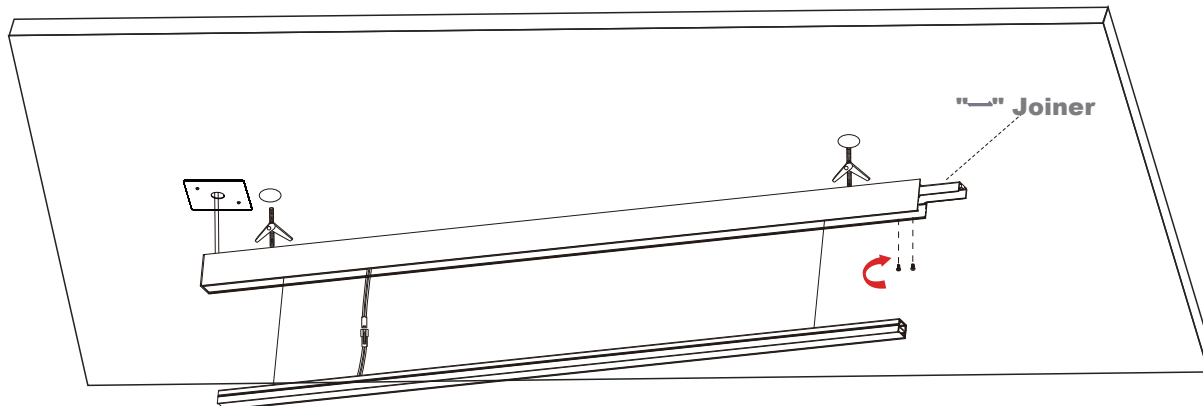
**STEP 2: Mount plate and wiring**

- 2-1: Cover the junction box with square plate "Q", and fix it with screw "p".
- 2-2: Plug in AC wires, dimming wires and ground wire into the male quick connector ( 5holes) "Y".
- 2-3: Plug in the male and female connector together, hide all wires into the junction box. Make sure no wires get pinched.



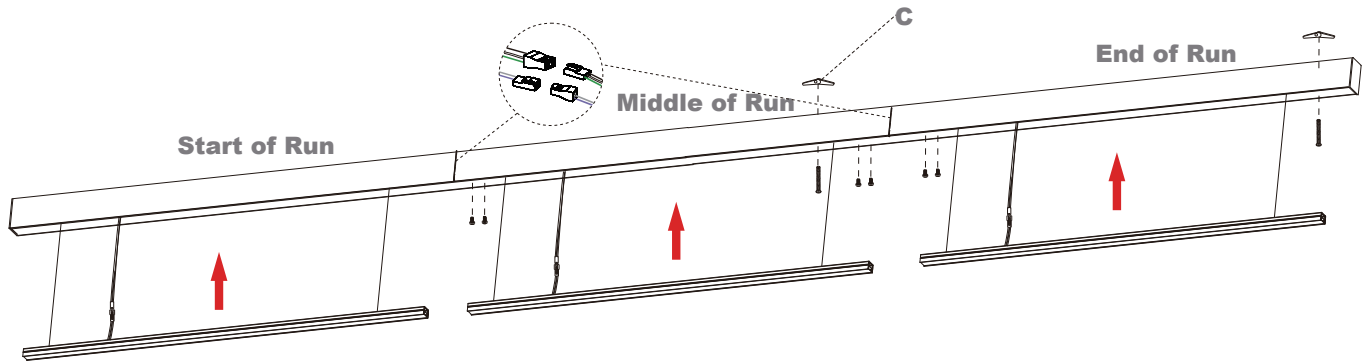
**STEP 3: Hang fixture and wiring - Start of Run**

- 3-1: Fix the housing in the ceiling with butterfly drywall anchor "C"(Fix the housing with screws if wooden frame ceiling).
- 3-2: Insert the joiner"—" into the Start of Run housing and fix it by screws.

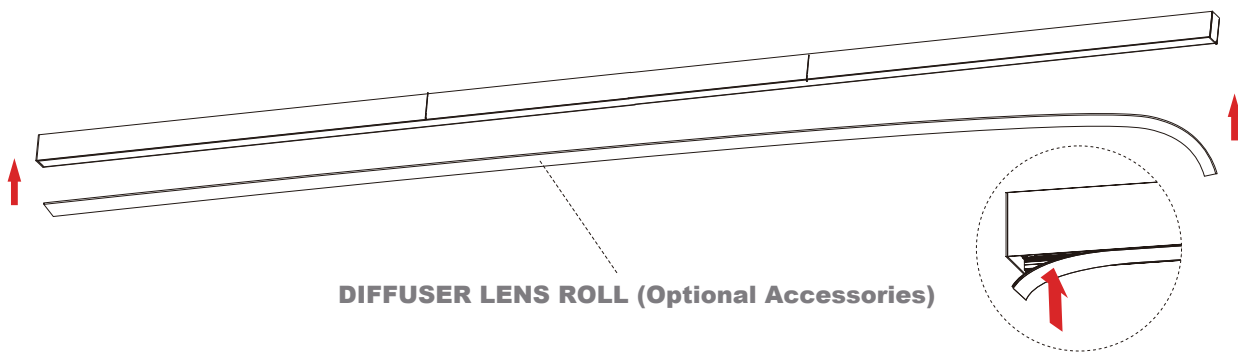


**STEP 4: Repeat Install and Join steps –Middle to End of Run**

- 4-1: Fix the housing in the ceiling with butterfly drywall anchor “C” one by one.
- 4-2: Insert the joiner “—” into the housing and fix it by screws in turn.
- 4-3: Connect the quick connectors properly.
- 4-3: Insert all the led modules into the housing from Start of Run to End of Run in turn.



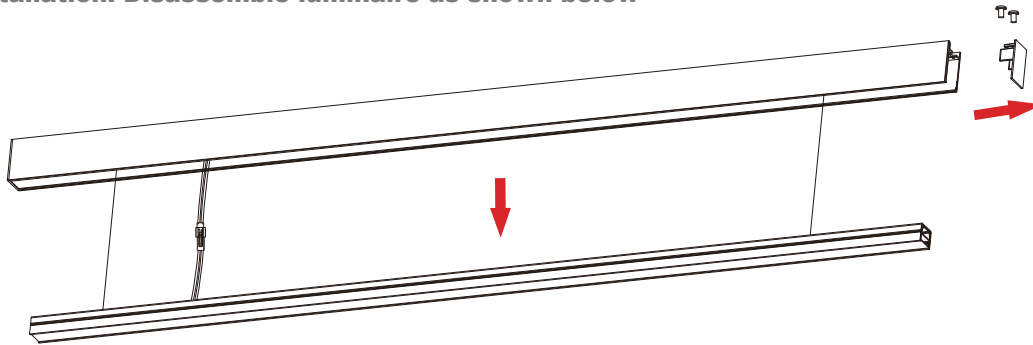
**STEP 5: Install 42' Diffuser Lens Roll to Complete**



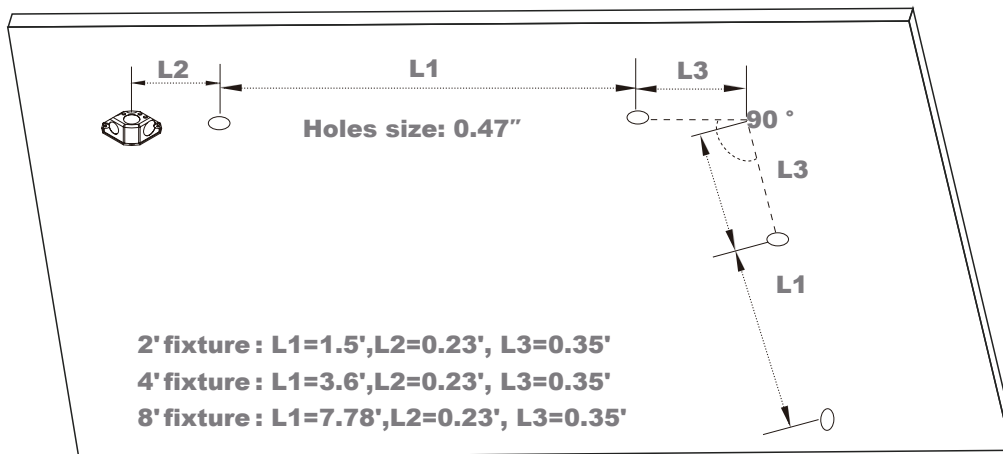
**B. L SHAPE CONNECTION**

- ⚠ For T shape, X shape or other geometric shapes, all subject to the L shape installation
- ⚠ It needs 2 inputs if using joiner "T" and "+".

**Pre-installation: Disassemble luminaire as shown below**

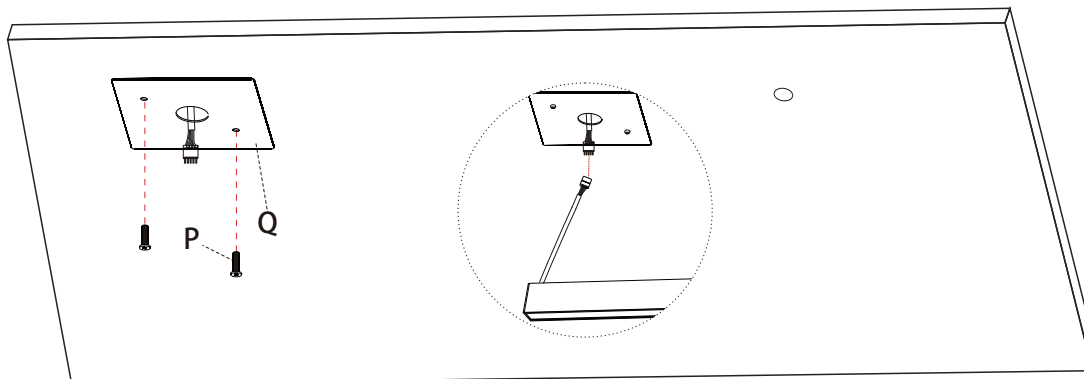


**STEP 1: Make hole in the ceiling**



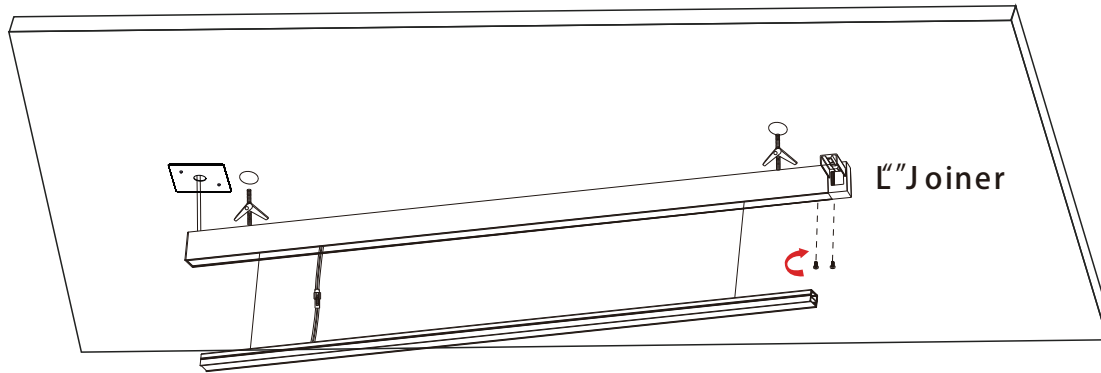
**STEP 2: Mount plate and wiring**

- 2-1: Cover the junction box with square plate "Q", and fix it with screw "p".
- 2-2: Plug in AC wires, dimming wires and ground wire into the male quick connector ( 5holes) "Y".
- 2-3: Plug in the male and female connector together, hide all wires into the junction box. Make sure no wires get pinched.



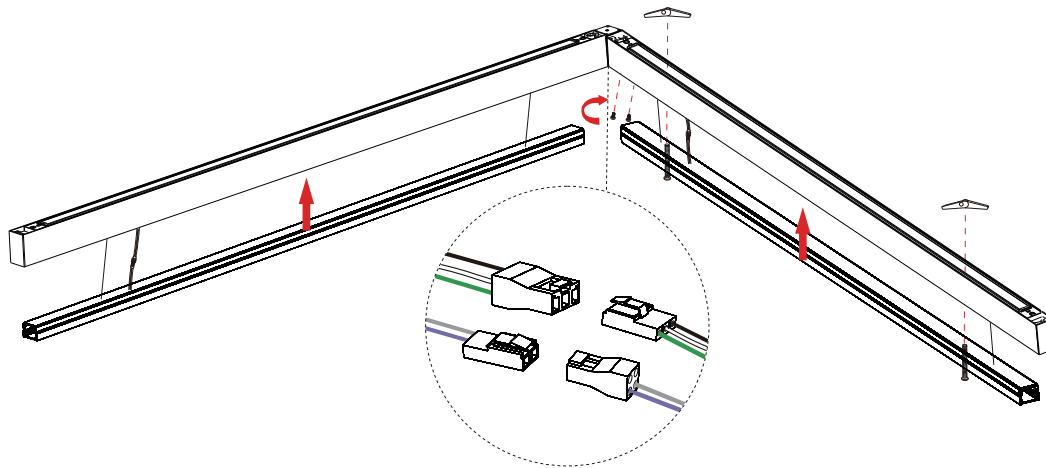
**STEP 3: Install the housing and joiner – Start of Run**

- 3-1: Fix the housing in the ceiling with butterfly drywall anchor “C” (Fix the housing with screws if wooden frame ceiling).
- 3-2: Insert the joiner “L” into the Start of Run housing and fix it by screws.



**STEP 4: Repeat install and Join steps – Middle of Run to End of Run**

- 4-1: Fix the housing in the ceiling with butterfly drywall anchor “C” one by one.
- 4-2: Insert the joiner “—” into the housing and fix it by screws in turn.
- 4-3: Connect the quick connectors properly.
- 4-4: Insert all the LED modules into the housing from Start of Run to End of Run in turn.



**STEP 4: Repeat install and Join steps – Middle of Run to End of Run**

