

IMPORTANT 

1. READ ALL INSTRUCTIONS.
2. INSTALL IN ACCORDANCE WITH NATIONAL AND LOCAL ELECTRICAL CODE REGULATIONS.
3. THIS PRODUCT IS INTENDED TO BE INSTALLED AND SERVICED BY A QUALIFIED, LICENSED ELECTRICIAN.
4. DO NOT INSTALL IN WET LOCATIONS. FOR DRY AND DAMP USE ONLY.
5. TURN OFF ELECTRICAL POWER BEFORE INSTALLING OR SERVICING FIXTURE IN ANY WAY.
6. TO REDUCE THE RISK OF FIRE AND OVERHEATING, MAKE SURE ALL CONNECTIONS ARE TIGHT.
7. UNDER NO CIRCUMSTANCES CAN THE LIGHTING FIXTURE BE COVERED WITH HEAT INSULATION GASKET OR SIMILAR MATERIALS.
8. THE MAXIMUM CONNECTION OF EACH INPUT LINE IS UP TO 100' IN 277VAC, 40' IN 120VAC.

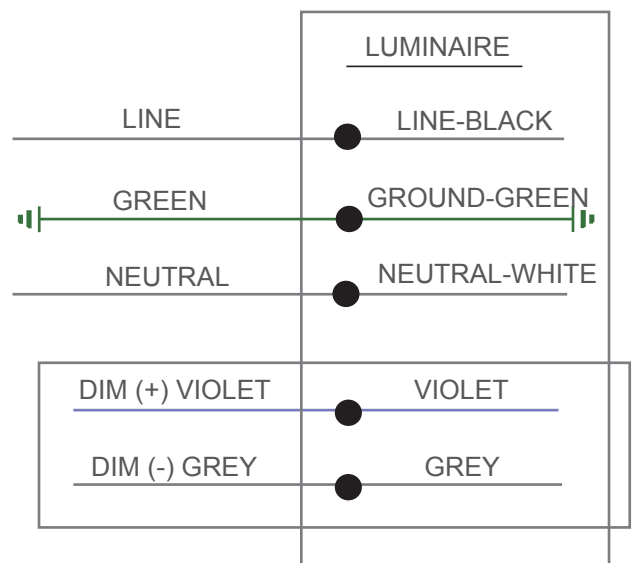
SHOCK HAZARD 

MAY RESULT IN SERIOUS INJURY OR DEATH.
TURN POWER OFF AT CIRCUIT BREAKER PRIOR TO INSTALLATION OR SERVICING.

INSTALLATION

Universal Voltage permits operation at 120VAC thru 277VAC, 50 or 60 Hz.

- a. Connect the black luminaire lead to the supply lead.
 - b. Connect the white luminaire lead to the neutral supply lead.
 - c. Connect the green or green/yellow ground lead to the green supply lead.
- a. If Dimming is an option; connect the violet dimming positive lead to the supply dimming positive lead. If dimming is not being used, ensure to cap off the violet lead.
 - b. If Dimming is an option; connect the grey dimming negative lead to the supply dimming negative lead. If dimming is not being used, ensure to cap off the grey lead.

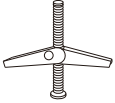

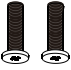

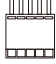


INSTALLATION

TOOLS REQUIRED

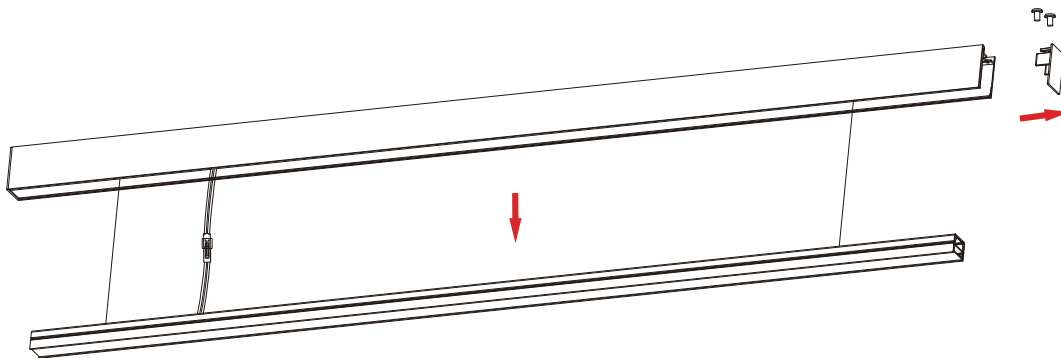
- | | | | |
|--------------------------|-------------------------|-----------------|-------------------|
| 1. Sharp Side Cutter | 2. Electric Drill | 3. Level | 4. Measuring Tool |
| 5. Wire Stripper / Knife | 6. Philips Screwdrivers | 7. Wire Cutters | |

ACCESSORY

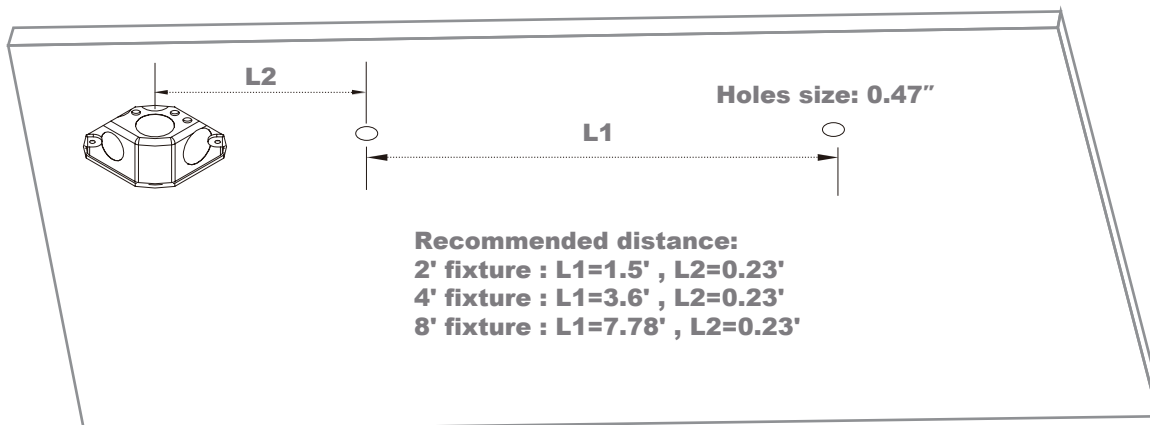
| Code | C | H | P | Q | Y |
|---------|---|---|---|---|---|
| Picture |  |  |  |  |  |
| Name | 5 FT Aircraft Cable | Wire Nut | Screw | Square Plate | Male Quick Connector (5 Holes) |

INSTALLATION STEPS

Pre-installation: Disassemble luminaire as shown below

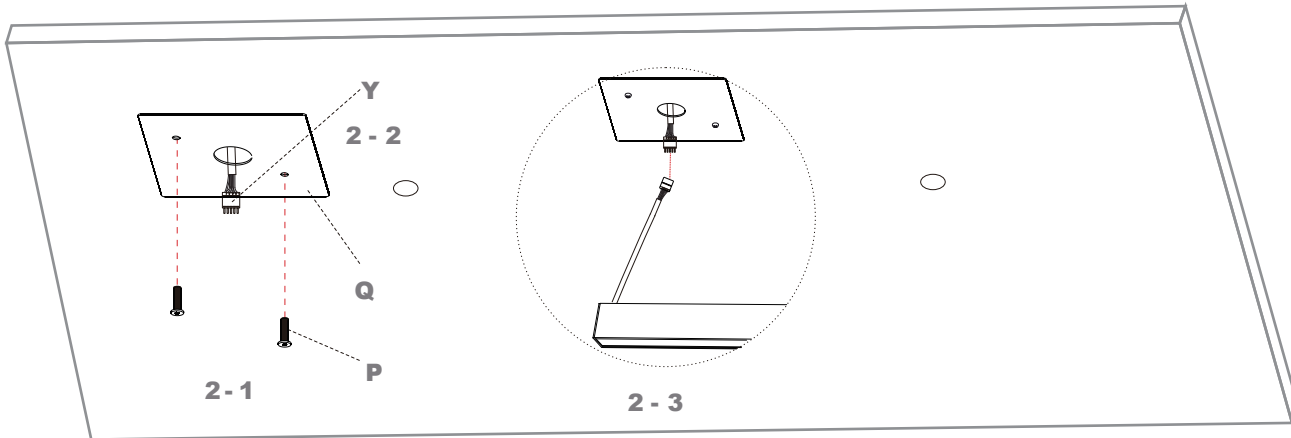


STEP 1: Prepare mounting point in the ceiling



STEP 2: Prepare J-Box bracket

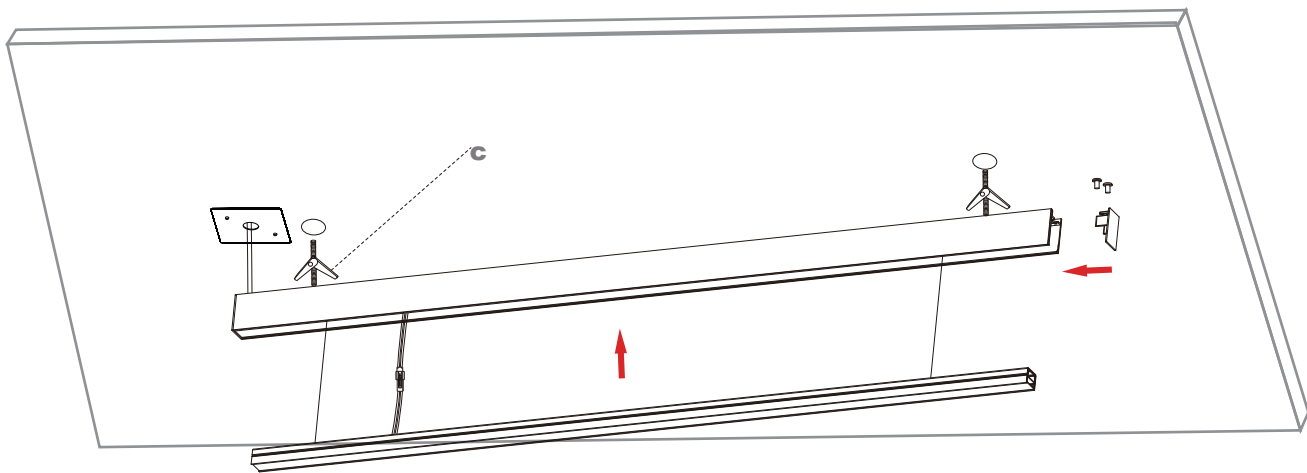
- 2-1: Cover the junction box with square plate "Q", and fix it with screw "p".
- 2-2: Plug in AC wires, dimming wires and ground wire into the male quick connector (5holes) "Y".
- 2-3: Plug in the male and female connector together, hide all wires into the junction box. Make sure no wires get pinched.



Ref#: 20200917

STEP 3: Screw the housing in the ceiling

- 3-1: Fix the housing in the ceiling with butterfly drywall anchor "C" (Fix the housing with screws if wooden frame ceiling).
- 3-2: Press the led modular into housing and secure end cap by screw.



STEP 4: Complete

