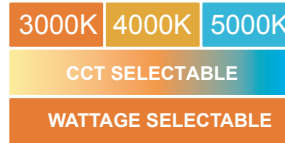


SDKL LED DOCK LIGHT



PRODUCT DESCRIPTION

The SDKL dock light has rugged die-cast aluminum housing. High impact resistant with appropriate structure design. Wattage and 3000K/4000K/5000K selectable. Adjustable pole arm mount. Industrial safety yellow finish is standard. Ideal for energy-efficient, low maintenance loading dock lighting.

FEATURE

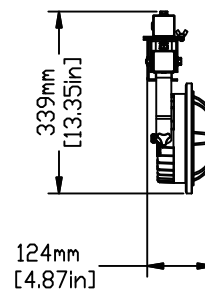
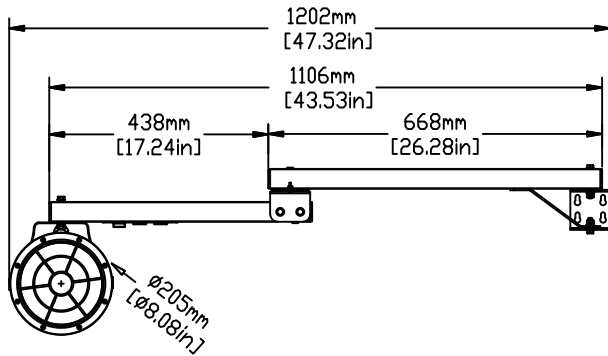
- Die-cast aluminum housing
- Wattage and CCT selectable
- High impact resistant
- Adjustable pole arms mount

ELECTRICAL SYSTEM

- Input voltage: 120-277V, 50/60Hz
- Power Factor: >0.9
- Total Harmonic Distortion: <20% at full load
- Working Temperature: -20~40°C (-4~104°F)

SPECIFICATION

Two Pole Arm



PERFORMANCE

CRI

80

CCT

3000K、4000K、5000K

Dimming

Not Dimming

Projected Lifetime

L70 -100,000 Hours

Working Temperature

-40-104°F (-40-40°C)

Certifications

- cETLus Listed
- IP65 rated
- IK10 rated
- RoHS compliant

Ordering Information

Example: SDKL-SP-SW1-YL

Name	Watts	CCT	Voltage	Mounting Bracket	Finish
SDKL	SP- Selectable Power 30W/50W ¹	SW - Selectable White 3000K/4000K/5000K ²	1- 120-277V 6- 347/480V	Blank - Without bracket ³ BKT2 - Two pole bracket ³	YL - Yellow ⁴

Notice:

1. 50W is default setting, If need other wattage, please contact Customer Service in advance to change the setting in factory or change the setting in the field

- 4000K is default setting. If need other CCT please contact Customer Service in advance to change the setting in factory or change the setting in the field.
- The Bracket can be bought together with the fixture and can be bought separately.
- Yellow finish is standard. Custom colors might be available for an additional fee. Please check with Customer Service for more information.

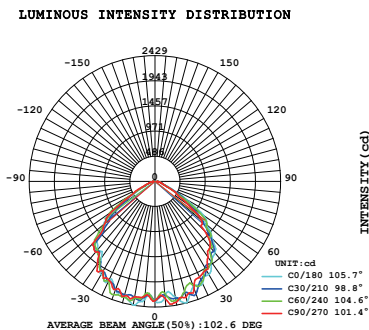
Accessories (Ordered separately)



SDKL-BKT2
Two pole bracket

PHOTOMETRY

All published luminaire photo metric testing performed to IESNA LM-79-08 standards by a NVLAP certified laboratory.



PERFORMANCE DATA

LUMEN OUTPUT

Lumen values are measured by third party certified laboratories performed in accordance with IESNA LM-79-08 as well as Lighting Facts listed.

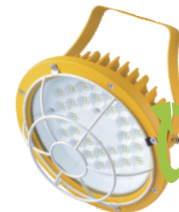
Watts	Nominal Lumen	CCT	CRI	LPW
30W	3300lm	4000K	>80	110
50W	5500lm	4000K	>80	110



**Tempered Glass
Wire Guard**



**CCT and Wattage
Selectable**



Adjustable Angle

Warranty

Five year limited warranty.

Specifications subject to change without notice.