



2" ADJ PORLA LED DOWNLIGHT

PRODUCT DESCRIPTION

The 2" Porla recessed led downlight has integral driver in a remote driver box. Five CCT selectable. Flexibility to switch color temperature during installation with the slide switch located on the cable. Reflector optic design. Ideal for a variety of applications for both residential and commercial settings.

FEATURE

- Five CCT selectable
- Type IC rated-no housing needed
- Aluminum construction
- Head is adjustable
- FT6 cable is standard

ELECTRICAL SYSTEM

- Input Voltage: 120V or 120-277V, 50/60Hz
- Triac dimming is standard; 0-10V is optional
- Minimum Ambient -20°C, Maximum Ambient is 40°C
- Power Factor: > 0.9 at full load
- Total Harmonic Distortion: < 20% at full load

SPECIFICATION

2" ADJ Triac and 0-10V Dimming

PERFORMANCE

CRI

90

CCT SELECTABLE

2700K, 3000K, 3500K, 4000K, 5000K

Dimming

Triac dimming is standard;
0-10V is optional

Projected Lifetime

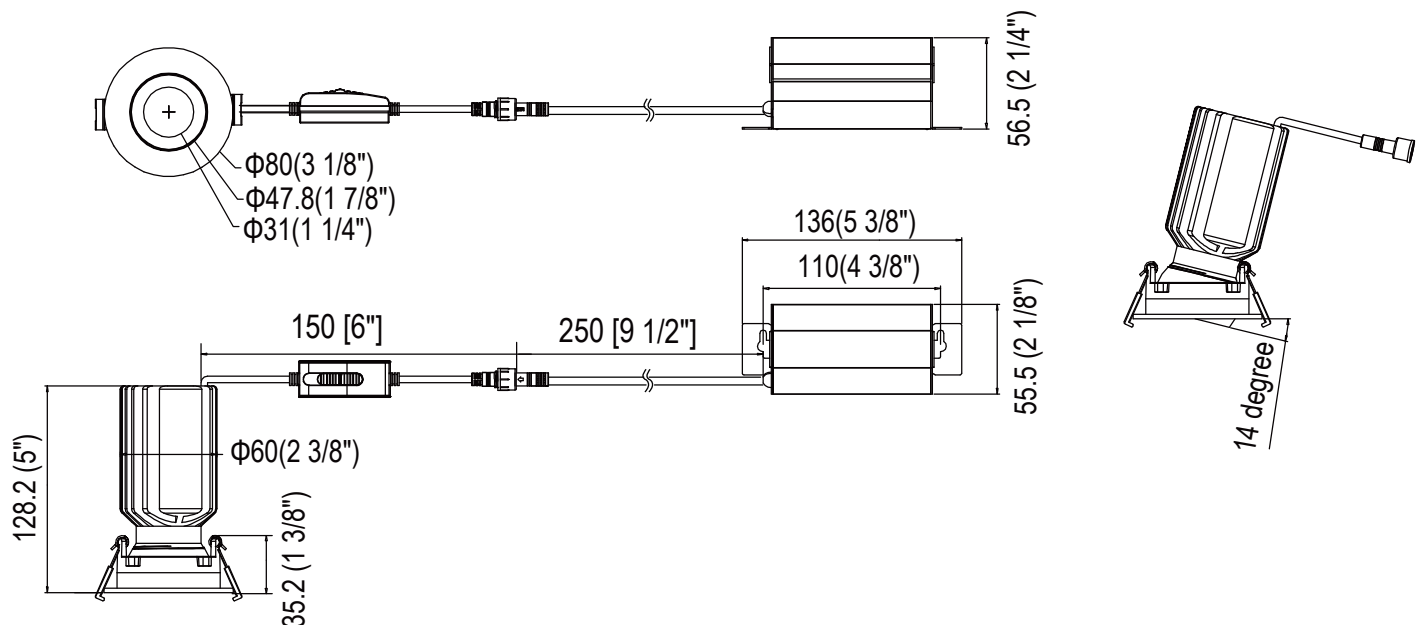
L70 - 50,000 Hours

Working Temperature

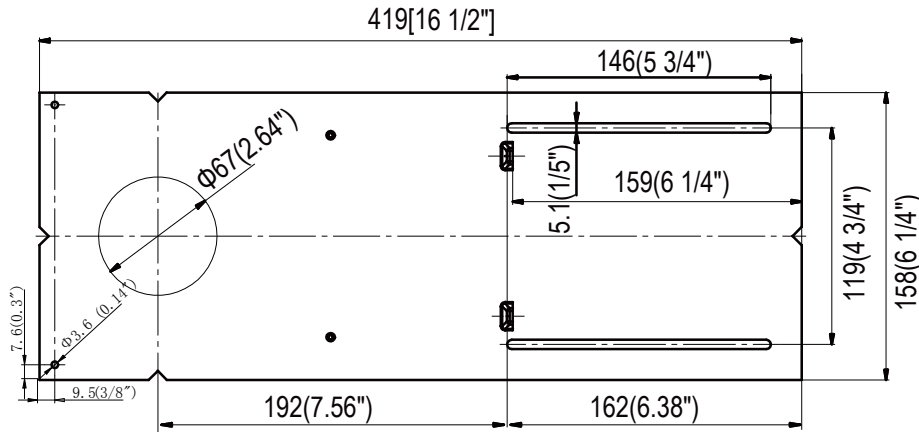
-4-104°F (-20-40°C)

Certifications

- cETLus conforms to UL Std. 1598 Cert. to CSA Std. C22.2 No.250.0
- Suitable for wet locations
- IP54 rated
- IC rated
- RoHs compliant
- Warranty 5 years



Rough In Plate (unit:mm)



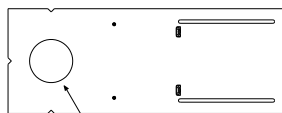
ORDERING INFORMATION

PORLA DOWNLIGHT MODULE

Example for downlight module: **POR02-ADJ-R-10LM-90-MBK**

SERIES	SIZE	ADJUSTABLE	SHAPE	LUMENS/CRI	TRIM FINISH	DRIVER
POR	02 - 2"	ADJ - Adjustable	R - Round	06LM-90 - 600lm/90CRI	MWH - Matte White	POR02-ADJ-08W-4 - 600lm Triac Dimmable Driver POR02-DL/ADJ-08W-1 - 600lm 0-10V Dimmable Driver POR02-ADJ-12W-4 - 1000lm Triac Dimmable Driver POR02-ADJ-12W-1 - 1000lm 0-10V Dimmable Driver
				10LM-90 - 1000lm/90CRI	MBK - Matte Black	

ROUGH-IN PLATE



2.64" (67mm)

POR02-RIP-N

Rough-in plate

FT6 EXTENSION CABLE



FT6 Extension Cable (2pin)

POR-EXC6-FT6

6 feet 2pin cable

POR-EXC10-FT6

10 feet 2pin cable

POR-EXC20-FT6

20 feet 2pin cable

Notice:

- * 2700K, 3000K, 3500K, 4000K, 5000K selectable. 3000K is default setting.
- * Custom finish color is available for trim and additional charge will apply for custom finish.

PERFORMANCE DATA

LUMEN OUTPUT

Lumen values are measured by third party certified laboratories performed in accordance with IESNA LM-79-08 as well as Lighting Facts listed.

Size	2 Inch ADJ	
Wattage	8W	12W
Lumen	680lm@4000K	1000lm@4000K
CCT	2700K/3000K/3500K/4000K/5000K Selectable	
Beam Angle	38 degree	
Tilt Angle(ADJ)	14 degree	
CRI	90	
Dimming	Triac or 0-10V dimming	
Cut Out	Φ2.64" (67mm)	

Lumen Multiplier

2700K	0.83
3000K	0.9
3500K	0.96
4000K	1
5000K	0.98

Warranty

Five year limited warranty.

Note:

Specifications subject to change without notice.