



PAVILION LED POST TOP



DARKSKY APPROVED
Reduces light pollution
Certified by DarkSky.org



PRODUCT DESCRIPTION

The pavilion LED post top comes in traditional lantern look with an expected service life of 50,000 hours, high efficiency and an easy-install design. As a decorative luminaire, the traditional style is in harmony with the architectural and environmental area lighting applications such as pedestrian street, parks, gardens, courtyard etc.

FEATURE

- Up to 120LPW
- IES distribution Types II, III, IV & V for various applications
- Diffused glass lens panels for option
- Photocontrol & 3/5/7 PIN NEMA receptacle optional
- Integral 10KA surge suppression protection standard

ELECTRICAL SYSTEM

- Input Voltage: 120-277VAC/347V/480V
- 50/60Hz
- Operating temperature range: -40-104°F (-40-40°C)
- Power Factor: > 0.9 at full load
- Total Harmonic Distortion: < 20% at full load
- Integral 10KA surge suppression protection

PERFORMANCE

CRI

70+

CCT

3000K, 4000K, 5000K

Dimming

0-10V Dimming Standard

The dimming wires are inside the fixture.

If need to have access to the dimming wire, please contact Customer Service.

Projected Lifetime

L70 - 127,000 Hours

Working Temperature

-40-104°F (-40-40°C)

Certifications

- cETLus
- IP65 rated
- DLC Listed
- RoHS compliant
- DarkSky Approved

Notes:

Only 3000K or less is DarkSky Approved.

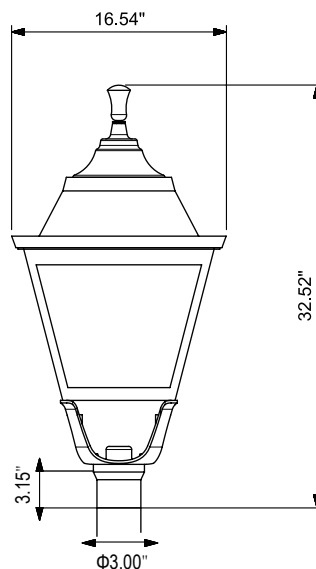
SPECIFICATION

Max. Weight: 14.33 lbs

Effective Projected Area (EPA)

without four lens panels: 1.70ft²

with four lens panels: 2.76ft²



Ordering Information

Example: PPT30301-P1-V

Name	Watts	CCT	Voltage	Control	Installation	Distribution	Finish
PPT	30 - 30W	30 - 3000K	1 - 120-277V	Blank - None	P1 - 3" Tenon pole ³	V - Type V ⁴	Standard Blank - Black
	50 - 50W	40 - 4000K	2 - 347V	PC - Photoelectric Control		IV - Type IV	
	50 - 5000K	6 - 120-347V ¹	7P - 7-Pin PE Receptacle ²	III - Type III			
	75 - 75W		1 - 120-277V			II - Type II	
			2 - 347V				
			3 - 480V				
			6 - 347/480V ¹				

Notes:

- 347/480V is only available for 75W. If for 35W and 50W, it is 120-347V. Besides, 120-347V and 347/480V are not available for photoelectric control.
- Shorting cap included.
- 4"OD round pole adapter is available for accessory.
- Type V is standard. Please contact Customer Service to check the lead time for other distributions.

* Standard Finish is Black. Please contact Customer Service for other finish.

Accessories



90660

MPT-4RPA-BK

4"OD round pole adapter



91255

WM-BRACKET-01-BK

Wall mount brackets, black



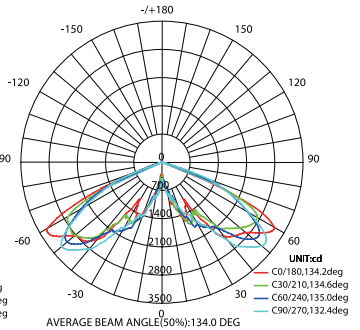
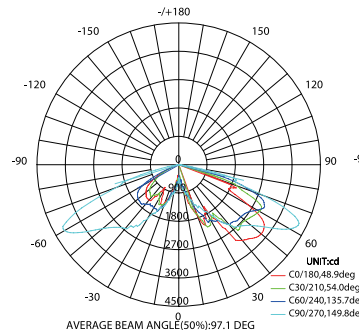
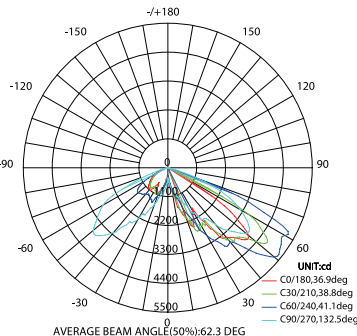
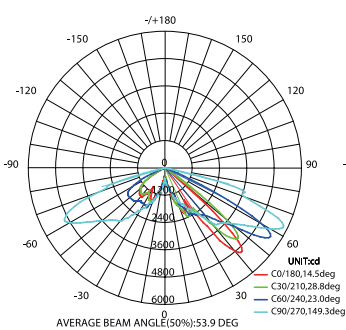
90228

PPT-GFL

4 pieces of glass frosted lens for pavilion LED post top

PHOTOMETRY

All published luminaire photometric testing performed to IESNA LM-79-08 standards by a NVLAP certified laboratory.





Pavilion WITH Glass Frosted Lens



Pavilion WITH Photocontrol

PERFORMANCE DATA

LUMEN OUTPUT

Lumen values are measured by third party certified laboratories performed in accordance with IESNA LM-79-08 as well as Lighting Facts listed.

Nominal Watts	Measured Watts	Lumen Output	CRI	CCT	Dist. Type	LPW Average
30W	29W	3250lm	>70	5000K	Type V	112
50W	50W	5750lm	>70	5000K	Type V	115
75W	76W	8740lm	>70	5000K	Type V	115

Lumen Ambient Temperature (LAT) Multipliers

Use these factors to determine relative lumen output for average ambient temperature from -40-104°F (-40-40°C).

Ambient		Multiplier
Celsius	Fahrenheit	
0	32	1.02
10	50	1.01
20	68	1.00
25	77	1.00
30	86	1.00
40	104	0.99

BUG Rating

Performed to IESNA LM-79-08 standards by a NVLAP accredited laboratory

Model	BUG Rating	Model	BUG Rating	Model	BUG Rating
PPT30301-II	B1-U0-G1	PPT50301-II	B2-U2-G1	PPT75301-II	B2-U3-G2
PPT30301-III	B1-U1-G1	PPT50301-III	B1-U2-G1	PPT75301-III	B2-U3-G1
PPT30301-IV	B1-U0-G1	PPT50301-IV	B2-U0-G1	PPT75301-IV	B2-U0-G2
PPT30301-V	B2-U0-G0	PPT50301-V	B2-U2-G2	PPT75301-V	B3-U3-G3
PPT30401-II	B1-U2-G1	PPT50401-II	B2-U2-G1	PPT75401-II	B2-U3-G2
PPT30401-III	B1-U2-G1	PPT50401-III	B1-U2-G1	PPT75401-III	B2-U3-G1
PPT30401-IV	B1-U2-G1	PPT50401-IV	B2-U2-G1	PPT75401-IV	B2-U3-G2
PPT30401-V	B1-U2-G1	PPT50401-V	B2-U2-G2	PPT75401-V	B2-U3-G2
PPT30501-II	B1-U2-G1	PPT50501-II	B2-U2-G2	PPT75501-II	B2-U3-G2
PPT30501-III	B1-U2-G1	PPT50501-III	B1-U2-G1	PPT75501-III	B2-U3-G1
PPT30501-IV	B1-U0-G1	PPT50501-IV	B2-U2-G1	PPT75501-IV	B2-U3-G2
PPT30501-V	B2-U2-G1	PPT50501-V	B2-U2-G2	PPT75501-V	B3-U3-G1

Warranty

Five year limited warranty. Full warranty terms located at www.abovealllighting.com/warrantystatements

Specifications subject to change without notice.