



FOCUS ACOUSTIC FIXTURE

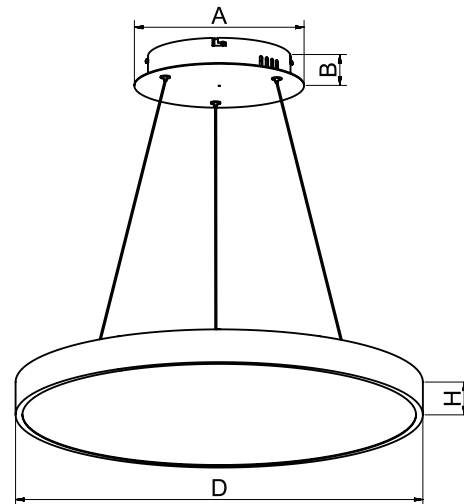


PRODUCT DESCRIPTION

The Focus Acoustic Fixture offers the FOCUS family in sizes ranging from 11.8".(dia.) up to 47.2".(dia.). Aluminum body constructions. Working harmoniously with acoustic-materials to reduce the noise-levels in any space. Maximizes surface area to absorb sound waves and improve harmony in the installed space. Flexible installations come in pendant and surface mounted.

SPECIFICATION

DIMENSION TABEL			
D	H	A	B
11.8"(300mm)	1.8"(45mm)	10.0"(250mm)	1.38"(35mm)
15.7"(400mm)	1.8"(45mm)	10.0"(250mm)	1.38"(35mm)
18.9"(480mm)	3.1"(80mm)	10.0"(250mm)	1.38"(35mm)
23.6"(600mm)	3.1"(80mm)	10.0"(250mm)	1.38"(35mm)
35.4"(900mm)	3.1"(80mm)	10.0"(250mm)	1.38"(35mm)
47.2"(1200mm)	3.1"(80mm)	10.0"(250mm)	1.38"(35mm)



Ordering Information

Example: FR24-AC-ACPMK-WH-NSAC-021 130

Series	Diameter	Acoustic - Configuration	Installation	Frame Finish	Acoustic Color
FR	12 -11.8"	- AC-Acoustic	ACPMK - Aircraft Cable Pendant Mount Kits	- WH -White ¹	NSAC-021 130
	16 -15.7"			Optional	NSAC-042 146
	19 -18.9"			BK -Black ¹	NSAC-028 110
	24 -23.6"		SMK-Surface Mount Kits		NSAC-002 122
	35 - 35.4"				NSAC-033 103
	47 - 47.2"				

* Please see acoustic color details in following list

Notice: White finish is standard. Custom colors might be available for an additional fee. Please check with Customer Service for more information.

Acoustic Color List



* The standard acoustic colors include: NSAC-021 130, NSAC-042 146, NSAC-028 110, NSAC-002 122, NSAC-033 103. If for other acoustic colors please contact Customer Service in advance.

Warranty

Five year limited warranty.

Note:

Specifications subject to change without notice.