



Selectable AKT LED Wall Pack



PRODUCT DESCRIPTION

The AKT LED wall pack features cutoff distribution, die-cast aluminum housing with integrated heat sink for superior heat dissipation, and options for Emergency back-up, photocontrol, and sensor. Lumen ranges from 1500lm to 14400lm make this an ideal option for landscape, wall/surface, low level pathway, apartment buildings, schools, and multi-use facilities.

FEATURES

- Cutoff distribution design
- Wattage and CCT selectable
- Lumen output is up to 16950lm
- Emergency back up, photocontrol and sensor available as option

ELECTRICAL SYSTEM

- Input voltage: 120-277V
- 50/60Hz
- Power Factor: >0.9
- Total Harmonic Distortion: <20% at full load
- Working Temperature: -13 - 104°F (-40 - 40°C)
- 0-10V Dimming Standard

PERFORMANCE

CRI

70

CCT

3000K, 4000K

Projected Lifetime

L70 -100,000 Hours

Working Temperature

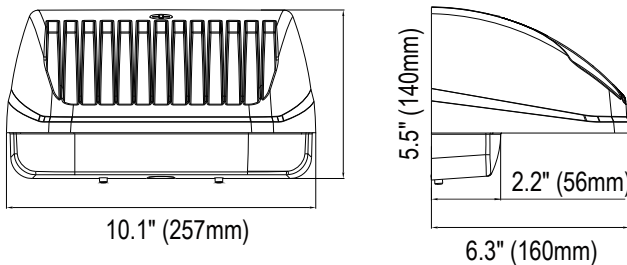
-40 - 104°F (-40 - 40°C)

Certifications

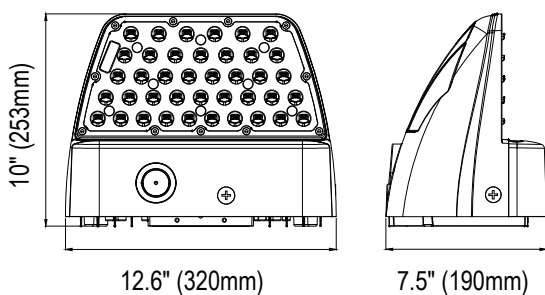
- cUL listed
- Suitable for wet locations
- RoHs compliant

DIMENSION

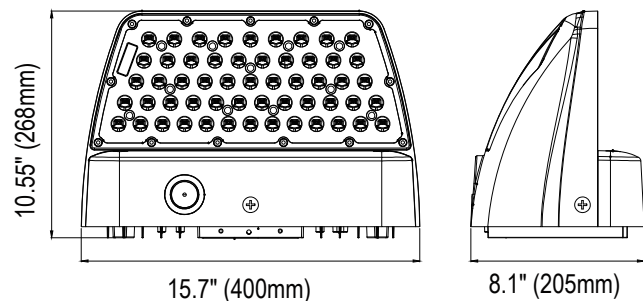
24W/30W/42W



50W/60W/80W



80W/100W/120W



Ordering Information

Example: AKT-120SP-SW1-III-BK

Name	Watts	-CCT	Voltage	- Control	- Distribution	- Finish
AKT	42SP - 24/30/42W ¹ Selectable	SW - 3000/4000/5000K ⁴	1-120-277V	Blank - None PC - Photocontrol MS - PIR Sensor ⁵ EBU - Emergency Battery Backup ⁶	III - Type III	BK - Black Optional BZ - Bronze WH - White GY - Gray
	80SP - 50/60/80W ² Selectable					
	120SP - 80/100/120W ³ Selectable					

Notice:

- 42W is default setting.
- 80W is default setting.
- 120W is default setting.
- 4000K is default setting.
- PIR Sensor kits is sold separately and field installed for 42SP. PIR Sensor is pre-installed in the fixture for 80SP and 120SP. Mounting height is 40ft (12m) max.
- It is Emergency battery backup kits sold separately and field installed for 42SP. The Emergency battery backup is built in the fixture housing for 80SP and 120SP. Ambient working temperature for Emergency battery backup is 32°F -95°F (0 °C -35°C).

* Black finish is standard. Custom color is available for a premium setup fee. Consult customer service for additional information.

Accessories (Ordered separately)



RC-100
Remote control for sensor



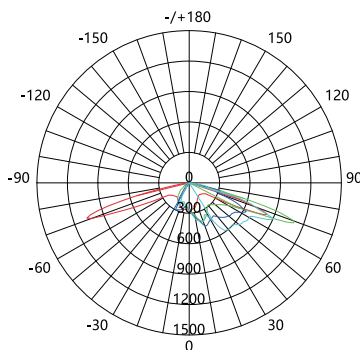
AKT24/30/42-MS-BK
PIR Sensor Kits for 24W, 30W and 42W

AKT/24/30/42-EBU-BK
EBU Kits for 24W, 30W and 42W

AKT24/30/42-MS-EBU-BK
PIR Sensor and EBU Kits
for 24W, 30W and 42W

PHOTOMETRY

All published luminaire photo metric testing performed to IESNA LM-79-08 standards by a NVLAP certified laboratory.



PERFORMANCE DATA

LUMEN OUTPUT

Lumen values are measured by third party certified laboratories performed in accordance with IESNA LM-79-08 as well as Lighting Facts listed.

Nominal Watts	Lumen Output	AC Input 120V	CCT	CRI	LPW
24W	3370	0.20A	4000K	>70	140
30W	4200	0.25A	4000K	>70	140
42W	5800	0.35A	4000K	>70	138
50W	7000	0.41A	4000K	>70	140
60W	8400	0.50A	4000K	>70	140
80W	11300	0.67A	4000K	>70	141
100W	14000	1.83A	4000K	>70	140
120W	16950	1.00A	4000K	>70	141

BUG Rating

Performed to IESNA LM-79-08 standards by a NVLAP accredited laboratory

Model	BUG Rating
AKT24401-III	B1-U1-G1
AKT30401-III	B1-U1-G2
AKT42401-III	B1-U1-G2
AKT60401-III	B1-U1-G3
AKT80401-III	B2-U2-G3

PIR DIMMING SENSOR SETTING (S618-P-DR-LS2)

Sensor data can be precisely set for each specific application by a remote controller which need to be bought separately.

	1	2	
I	↓	↓	20%
II	↓	↑	50%
III	↑	↓	75%
IV	↑	↑	100%

Sensitivity

Sensitivity can be reduced by selecting the combination on the DIP switches to fit precisely each application .

Default Setting: 100%

	3	4	
I	↓	↓	10 S
II	↓	↑	1 Min
III	↑	↓	5 Min
IV	↑	↑	10 Min

Hold time

Refers to the time period the lamp remains at 100% illumination after no motion detected.

Default Setting: 1min

	5	6	
I	↓	↓	☀
II	↓	↑	10 Lux
III	↑	↓	30 Lux
IV	↑	↑	50 Lux

Daylight sensor

The sensor can be set to only allow the lamp to illuminate below a defined ambient brightness threshold.

Default Setting: 30lux

	7	8	
I	↓	↓	0%
II	↓	↑	10%
III	↑	↓	30%
IV	↑	↑	50%

Stand-by dimming level

The low light level you would like to have after the hold time in the long absence of people.

Default Setting: 30%

	9	10	
I	↓	↓	+ ∞
II	↓	↑	1 Min
III	↑	↓	30 Min
IV	↑	↑	60 Min

Stand-by time

Refers to the time period the lamp remains at a low light level before it completely switches off in the long absence of people. When set to " +∞ " mode, the low light is maintained until motion is detected

Default Setting: +∞

WARRANTY

Five year limited warranty.

Note: Specifications subject to change without notice.