



# VISS ROUND LED LIGHT

## Acoustic Available



## PRODUCT DESCRIPTION

The Viss Series has an unique square and round style with an LED light source illuminating its inner surface. It is available in sizes ranging from 14.2" up to 31.5". Deep recessed light source design achieving perfect glare control. Flexible installations come in suspended and surface mount. Working harmoniously with acoustic materials to reduce the noise-levels in any space. Maximizes surface area to absorb sound waves and improve harmony in the installed space.

## FEATURE

- Fixtures in diameters from 14.2" through 31.5"
- Deep recessed light source design
- Pendant or surface mounted
- 30+ acoustic felt colors available

## ELECTRICAL SYSTEM

- Input Voltage: 120-277V, 50/60Hz
- 0-10V Dimming standard
- Minimum Ambient -20°C, Maximum Ambient is 40°C
- Power Factor: > 0.9 at full load
- Total Harmonic Distortion: < 20% at full load

## PERFORMANCE

CRI

90

CCT

3000K, 3500K, 4000K

Dimming

0-10V Dimming Standard

Projected Lifetime

L70 - 100,000 Hours

Working Temperature

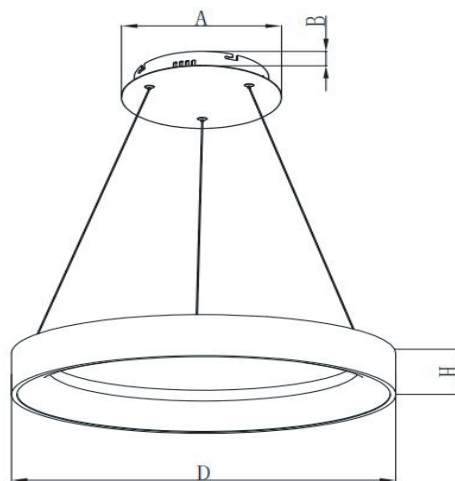
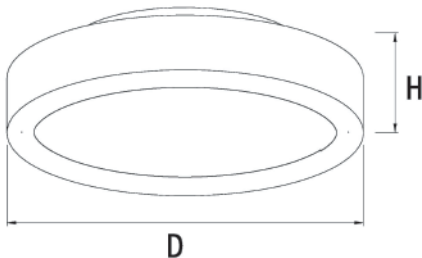
-4-104°F (-20-40°C)

Certifications

- cETLus conforms to UL Std. 1598 Cert. to CSA Std. C22.2 No.250.0
- Suitable for damp locations
- RoHs compliant

## SPECIFICATION

Aircraft Cable and Wire Cord Length: 59"(1500mm)



DIMENSION					
D	H-pendant mount	H-surface mount	A	B	Wattage
14.2"(360mm)	3.5"(88mm)	4.6"(115mm)	10.0"(250mm)	1.38"(35mm)	15W
17.7"(450mm)	3.5"(88mm)	4.6"(115mm)	10.0"(250mm)	1.38"(35mm)	25W
23.6"(600mm)	3.5"(88mm)	4.6"(115mm)	10.0"(250mm)	1.38"(35mm)	36W
31.5"(800mm)	3.5"(88mm)	4.6"(115mm)	10.0"(250mm)	1.38"(35mm)	50W

## Ordering Information

**Example:**  VS  I  R  LA  3624  40  90  1  ACPMK  /  WH  NSAC-021 130

1      2      3      4      5      6      7      8      9      10      11      12

### 1. Series

**VS** - Viss Series

### 2. Light Emitting

**I** - Inward Light

### 3. Shape

**R** - Round

### 4. Acoustic Configuration

**Blank** - Light without Acoustic       **LA** - Light with Acoustic

\* If choose Acoustic, please choose the acoustic color in the following list.

### 5. Watts/Diameter

**1514** - 15W/φ14.2"       **3624** - 36W/φ23.6"  
 **2518** - 25W/φ17.7"       **5032** - 50W/φ31.5"

### 6. CCT

**30** - 3000K       **35** - 3500K       **40** - 4000K

### 7. CRI

**90** - 90Ra

### 8. Voltage

**1** - 120-277V

### 9. Installation

**ACPMK** - Aircraft Cable Pendant Mount Kits       **SMK** - Surface Mount Kits

### 10. Controls

**Blank** - None

### 11. Frame Finish

**WH** - White       **BK** - Black

### 11. Acoustic Color

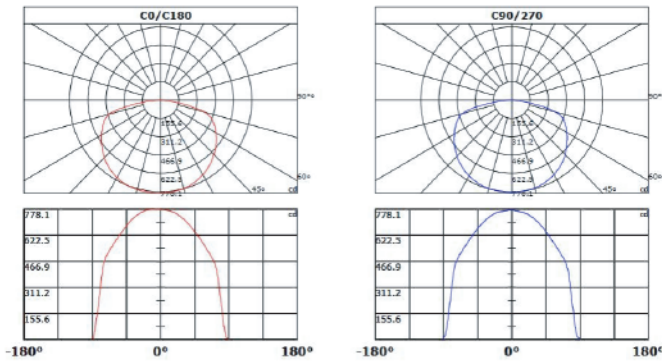


\* There will be slight differences between the color of the acoustic image and the actual fabric because of computer display defects.

\* The standard acoustic colors include: NSAC-021 130, NSAC-042 146, NSAC-028 110, NSAC-002 122, NSAC-033 103. Other acoustic colors might be available for an additional fee. Please check with Customer Service for more information.

## PHOTOMETRY

All published luminaire photo metric testing performed to IESNA LM-79-08 standards by a NVLAP certified laboratory. IESNA LM -79-08 specifies the entire luminaire as the source resulting in a fixture efficiency of 100%. Result may vary per actual order.



## PERFORMANCE DATA

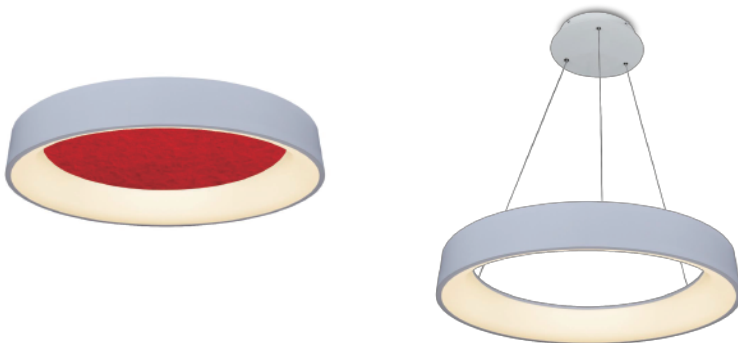
### LUMEN OUTPUT

Lumen values are measured by third party certified laboratories performed in accordance with IESNA LM-79-08 as well as Lighting Facts listed.

Watts	Lumen Output	AC Input 120V	CCT	CRI	LPW
15	1280	0.13A	4000K	90	70
25	2100	0.21A	4000K	90	70
36	2700	0.30A	4000K	90	70
50	4400	0.42A	4000K	90	70

#### Note:

- The lumen output is for the fixture without acoustic. The data for acoustic may vary based on different acoustic fiber colors. Please contact Customer Service if need the lumen output for acoustic version.



## Warranty

Five year limited warranty.

Specifications subject to change without notice.