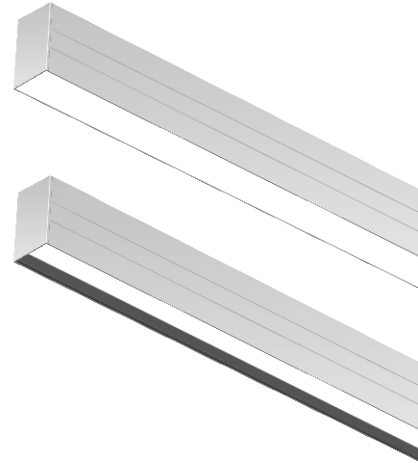


2.3" MAGIC DIRECT LED LINEAR LIGHT

Recessed / Suspended / Surface Mounted



PRODUCT DESCRIPTION

The 2.3" Magic Linear Light is available in recessed mount. It is available in 2.3" width with 2ft, 3ft, 4ft and 8ft lengths options, simply provide linear, powerful lighting to any atmosphere. This linear lighting features a streamlined linear form factor designed for maximum versatility. With their superior flexibility by wattage selectable and CCT adjustable, Magic Linear creates a balance between esthetics, visual comfort and lighting performance, designed to meet the most demanding lighting challenges.

FEATURES

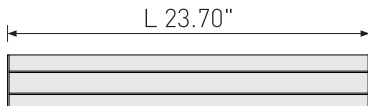
- Trimless recessed, suspended and surface mounted
- T-grid or dry ceiling compatible
- Continuous runs or custom pattern
- Available in 2ft, 3ft, 4ft and 8ft
- Wattage selectable (50%/75%/100%)
- 3000K, 3500K, 4000K selectable

ELECTRICAL SYSTEM

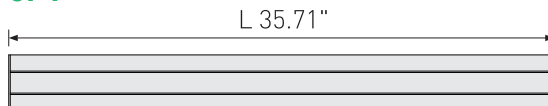
- Input Voltage: 120-277V, 50/60Hz
- Operating temperature range: -4-104°F (-20-40°C)
- Power Factor: > 0.9 at full load
- Total Harmonic Distortion: < 20% at full load

SPECIFICATION

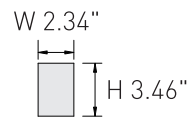
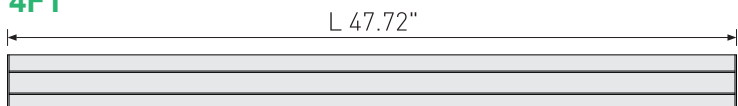
2FT



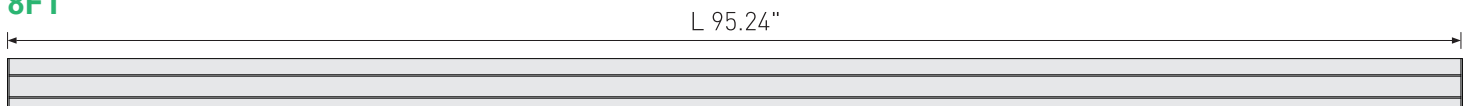
3FT



4FT



8FT



PERFORMANCE

CRI

80

CCT

3000K, 3500K, 4000K

Dimming

1-10V Dimming

Compatible Dimmer

LUTRON: DVSTV

LEVITON: IP710

Projected Lifetime

L70 - 100,000 Hours

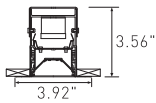
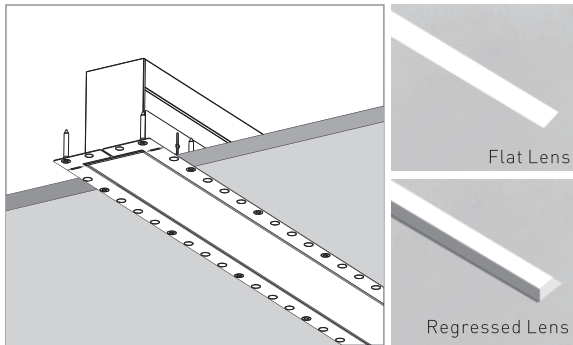
Working Temperature

-4-104°F (-20-40°C)

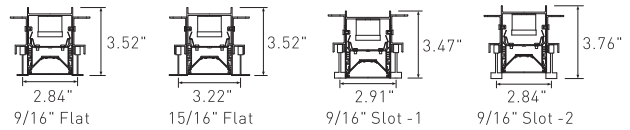
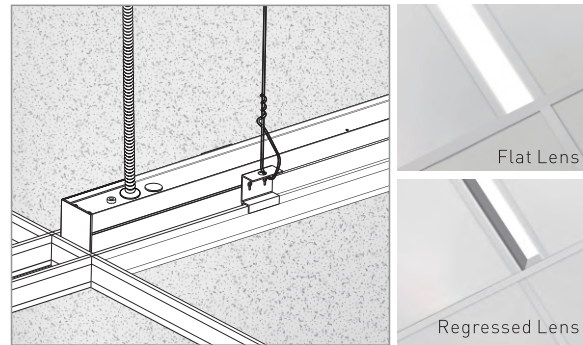
Certifications

- cULus conforms to UL Std. 1598Cert. to CSA Std. C22.2 No.250.0
- Suitable for damp locations
- RoHS compliant

RECESSED IN DRY CEILING

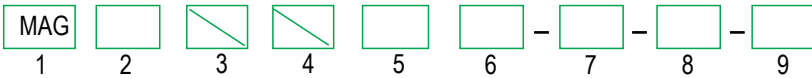


RECESSED IN GRID CEILING



Ordering Information

Example: MAG1223-SW1-RM-D-FDL



1. Series

MAG

2. Length

06 - 2FT 09 - 3FT 12 - 4FT 24 - 8FT

Option - Desired System Length*

* Individual fixtures, Runs and Configurations are supplied in nominal lengths to ensure full, even, illumination. If desired runs and configurations are needed, please tell us the details in advance. Then we can prepare the middle run and end run in factory for easy installation, or end user need to modify the standard individual fixtures into middle run and end run.

3. Width

23- 2.3 Inch

4. Driver

Blank - Integral

5. CCT

SW- 3000K/3500K/4000K Selectable

1. Default setting is 3500K.

6. Voltage

1 - 120-277V

7. Mounting Options

RSM - Recessed / Suspended / Surface Mounted

* Please refer to the following accessory table to choose the right mounting kits.

8. Light Distribution

D - 100% Downlight

9. Lens Options

FDL - Flush Diffused Lens RGL - Regressed Lens

* FDL is standard. RGL will ask MOQ and long lead time.

* Continuous run mount is not available for regressed lens.

* If the joined length exceeds 8ft, only continous Roll-Out Lens can be used.

10. Finish

Blank - White

BK - Black

Accessories (ordered separately and field installed)

For Recessed Mount



MAG0623-RMK1

Recessed Mount Kit for
2ft, 2.3" Linear
Dry Ceiling Mount
(One set per fixture)

MAG0923-RMK1

Recessed Mount Kit for
3ft, 2.3" Linear
Dry Ceiling Mount
(One set per fixture)

MAG1223-RMK1

Recessed Mount Kit for
4ft, 2.3" Linear
Dry Ceiling Mount
(One set per fixture)



MAG23-RMK2

Recessed Mount Kit for
Drop Ceiling (One set
per fixture)

* If for 8ft, 2.3" Linear, two sets of **MAG1223-RMK1** will be needed.

For Suspended Mount

Drop Ceiling Suspension Mount List



MAG-PMK3

Aircraft Cable Pendant Mount Kit for Drop Ceiling
(One set per fixture)

* Suitable for 9/16" and 15/16" Flat Ceiling.
If for 9/16" slot ceiling please contact Customer Service.

For Suspended Mount

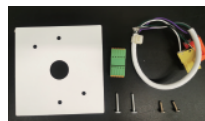
Dry Ceiling Suspension Mount List



MAG-PMK1

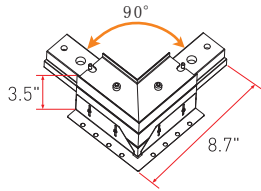
Aircraft Cable Pendant Mount Kit for Dry Ceiling
(One set per fixture)

For Surface Mount



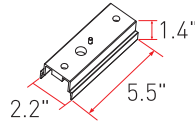
MAG-SMK

Surface and Wall Mount Kits



MAG23-RSM-L

L Shape Mount Bracket for Recessed, Suspended and Surface Mount



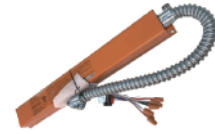
MAG23-RSM-LINE

Line Shape Mount Bracket for Recessed, Suspended and Surface Mount



MAG23-ROL¹

Continuous Roll-Out Lens (42')



EBU-H08170²

8W Emergency Battery Back-up for MAX.60W fixture



AAL-RC-100

Remote Control for Microwave Motion Sensor



MAG-MSW-PM/SM

Microwave Motion Sensor Kits for pendant mount

EBU-H25170²

25W Emergency Battery Back-up for MAX.200W fixture

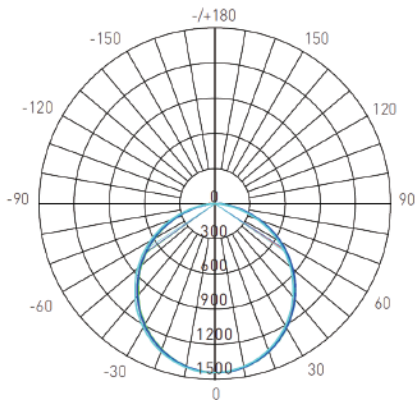
Notes:

1. If the joined length exceeds 8ft, only continuous Roll-Out Lens can be used.
2. Emergency battery back-up is for ambient temperatures of 32°F -95°F (0 °C -35°C).

PHOTOMETRY

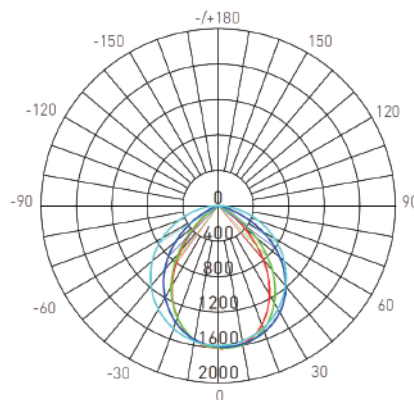
All published luminaire photo metric testing performed to IESNA LM-79-08 standards by a NVLAP certified laboratory. IESNA LM-79-08 specifies the entire luminaire as the source resulting in a fixture efficiency of 100%. Result may vary per actual order.

With Flush Diffused Lens



AVERAGE BEAM ANGLE(50%): 111.3°

With Regressed Lens



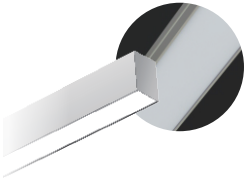
AVERAGE BEAM ANGLE(50%): 92.7°

PERFORMANCE DATA

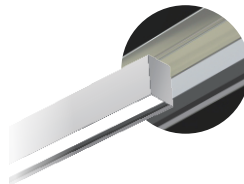
Lumen values are measured by third party certified laboratories performed in accordance with IESNA LM-79-08 as well as Lighting Facts listed.

Ref#: 20240423

Flush Diffused Lens



Regressed lens



Lens	Lumen Package		
	High	Medium	Low
Flat lens	1000lm/ft, 10W/ft	750lm/ft, 7.5W/ft	500lm/ft, 5W/ft
Regressed	800lm/ft, 10W/ft	600lm/ft, 7.5W/ft	400lm/ft, 5W/ft
Width	2.3"	2.3"	2.3"
Wattage	10W/15W/20W@2FT 15W/20W/30W@3FT 20W/30W/40W@4FT 40W/60W/80W@8FT		

Notes:

Above are subject to 3500K.

All efficacy is ±5% base on different CCT and wattage. Check the IES file to gain the accurate data .

Warranty

Five year limited warranty.