



## FOCUS ROUND LIGHT



### PRODUCT DESCRIPTION

The Focus Round Light offers the FOCUS family of LED fixtures in diameters from 13.5" through 46.9". Recessed light source design achieving perfect glare control. Edge-lit technology and non-yellowing microprismatic optical PMMA. Flexible installations come in pendant, surface and wall mounted. Options are available in selectable white, direct and indirect light distributions.

### FEATURE

- Fixtures in diameters from 13.5" through 46.9"
- Recessed light source design achieving perfect glare control
- Edge-lit technology and non-yellowing optical PMMA
- Rod and Aircraft Cable Pendant mounted and surface mounted
- Direct and indirect light distributions
- Integrated driver design reduce the time to recess the driver into junction box

### ELECTRICAL SYSTEM

- Input Voltage: 120-277V, 50/60Hz
- 0-10V Dimming standard
- Minimum Ambient -20°C, Maximum Ambient is 40°C
- Power Factor: > 0.9 at full load
- Total Harmonic Distortion: < 20% at full load

### PERFORMANCE

CRI

**80 is standard**  
**90 is optional**

CCT

**3000K, 3500K, 4000K**

Dimming

**0-10V Dimming Standard**

Projected Lifetime

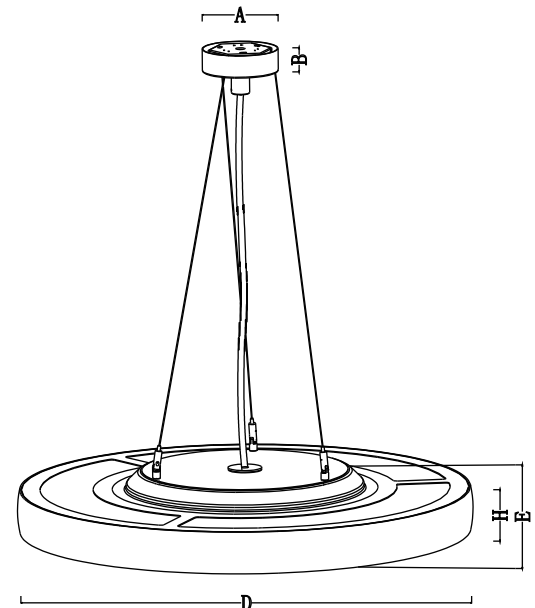
**L70 - 100,000 Hours**

Working Temperature

**-4-104°F (-20-40°C)**

Certifications

- **cETLus conforms to UL Std. 1598**  
**Cert. to CSA Std. C22.2 No.250.0**
- **Suitable for damp locations**
- **RoHs compliant**



### SPECIFICATION

Wire Cord Length: 47.2"(1200mm)  
 Aircraft Cable Length: 98.4"(2500mm)  
 Pendant Rod Length: 39.4"(1000mm)

D	A	B	E	H
13.5"(342mm)	5.9"(150mm)	1.18"(30mm)	3.19"(81mm)	2.2"(56mm)
17.4"(442mm)	5.9"(150mm)	1.18"(30mm)	3.19"(81mm)	2.2"(56mm)
23.3"(592mm)	5.9"(150mm)	1.18"(30mm)	3.19"(81mm)	2.2"(56mm)
35.1"(892mm)	5.9"(150mm)	1.18"(30mm)	3.19"(81mm)	2.2"(56mm)
46.9"(1192mm)	5.9"(150mm)	1.18"(30mm)	3.19"(81mm)	2.2"(56mm)

## Ordering Information

Example: FRID24-64-40801

Series	Distribution	Diameter/Watts	- CCT	CRI	Voltage	Installation	- Controls	- Finish
FR	D - Direct	14-23 - 13.5"/23W <sup>1</sup>	- 30 - 3000K	80- 80Ra <sup>3</sup>	1-120-277V	Ordered and shipped separately <sup>4</sup>	- Blank-None	- Blank-White
		18-42 - 17.4"/42W	35 - 3500K	90- 90Ra <sup>3</sup>				BK - Black
		24-64 - 23.3"/64W	40 - 4000K			ACPMK-FR Aircraft Cable Pendant Mount Kits		Optional
		35-102 - 35.1"/102W	SW - 3000K/3500K					Finish Colors
		47-136 - 46.9"/136W <sup>1</sup>	/4000K selectable <sup>2</sup>					(Need Additional Charge)*
	ID- Direct and Indirect	14-28 - 13.5"/28W <sup>1</sup>				RPMK-FR Rod Pendant Mount Kits		
		18-42 - 17.4"/42W						
		24-64 - 23.3"/64W						
		35-102 - 35.1"/102W						
		47-136 - 46.9"/136W <sup>1</sup>						
						SMK-FR Surface Mount Kits		

Notice:

- 13.8" and 47.2" sizes are available as special order. Please contact customer service
- CCT selectable is available as special order. Please contact customer service
- 80CRI is standard. 90 CRI can be available for an additional fee. Please contact customer service
- Mounting kits need to be bought separately.

\* Standard Finish is White and Black. Additional charges will apply for all the other colors. Please contact customer service for premium adder.

### Accessories (Order and ship separately)



**ACPMK-FR**  
Aircraft Cable  
Pendant Mount Kits  
for Focus Light



**RPMK-FR14/18/24**  
Rod Pendant Mount Kits  
for 14"/18"/24" Focus Light

**RPMK-FR35/47**  
Rod Pendant Mount Kits  
for 35"/47" Focus Light



**SMK-FR14/18**  
Surface Mount Kits  
for 14"/18" Focus Light

**SMK-FR24**  
Surface Mount Kits  
for 24" Focus Light

**SMK-FR35/47**  
Surface Mount Kits  
for 35"/47" Focus Light

## Finish Color Options



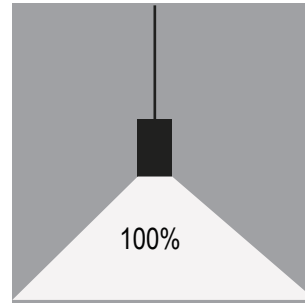
## PERFORMANCE DATA

### LUMEN OUTPUT

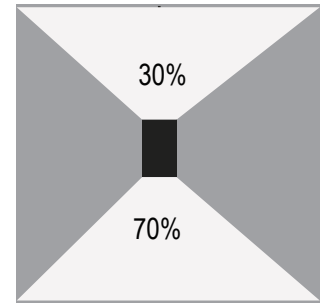
Lumen values are measured by third party certified laboratories performed in accordance with IESNA LM-79-08 as well as Lighting Facts listed.

Watts	Lumen Output	Size	AC Input 120V	CCT	CRI
23	2000	14"	0.19A	4000K	80
42	4000	18"	0.35A	4000K	80
64	6600	24"	0.53A	4000K	80
102	11000	35"	0.85A	4000K	80
136	15000	47"	1.13A	4000K	80
28	2400	14"	0.23A	4000K	80

## Illumination Ratio



Direct



Direct and Indirect

Ref#: 20240416



Rod Pendant Mount



Aircraft Cable Pendant Mount



Surface Mount

## Warranty

Five year limited warranty.

## Note:

Specifications subject to change without notice.