

HEAVENLY LINEAR HIGH BAY



PRODUCT DESCRIPTION

The HEAVENLY Linear High Bay is an attractive, durable and high efficient solution for a variety of industrial and commercial applications. The extruded aluminum construction enables optimal thermal control and longer system life in complex environments such as 150 °F (65 °C) ambient temperature. Wattstopper sensor and Enlighted intelligent control systems allow for precise light positioning putting the light exactly where you need it.

FEATURE

- Reliable Philips LED driver
- Textured lens options minimizes high glare
- Achieves up to 150 °F (65 °C) ambient rating
- Performs at up to 180 lm/W
- Wattstopper sensor available
- Enlighted intelligent control systems
- 10kV surge suppression protection optional
- Fixture with polycarbonate lens is IK10 rated

ELECTRICAL SYSTEM

- Input Voltage: 120-277V, 347/480V
- 50/60Hz
- 0-10V dimming
- Power Factor: > 0.98 at 120Vac
- Total Harmonic Distortion: < 20%
- Integral 6kV surge suppression protection standard
- Minimum Ambient -20°C, maximum Ambient is 65°C

PERFORMANCE

CRI

80

CCT

3000K、 3500K、 4000K、 5000K

Dimming

0-10V Dimming Standard

Projected Lifetime

L70 - 144,000 Hours

Working Temperature

-4-150°F (-20-65°C)

Certifications

- cETLus
- Damp location
- DLC Premium*
- RoHS compliant

* DLC is only for 2ft.

SPECIFICATION

2FT HLHB

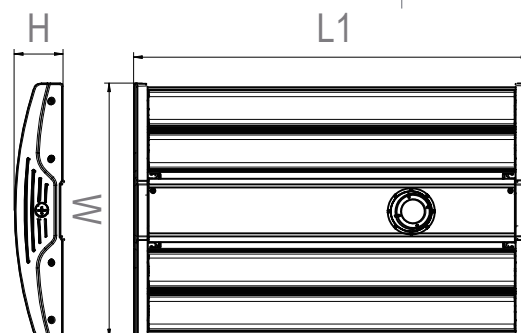
L1: 24.33"
W: 16.25"
H: 3.15"

3FT HLHB

L1: 34.0"
W: 16.25"
H: 3.15"

4FT HLHB

L1: 45.43"
W: 16.25"
H: 3.15"



Ordering Information

Example: HLHB02-175501-G

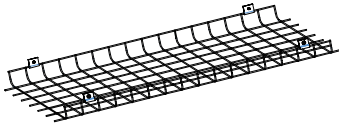
| Series | Length | Watts | CCT | Voltage | Controls | Distribution | Lens | |
|--------|----------|-----------------|----------|---------------|---|--------------------------|---|----------------------------------|
| HLHB | 02 - 2FT | 65 - 65 Watts | 30-3000K | 1 - 120V-277V | Blank - None | G - General ⁴ | Ordered and shipped separately ⁵ | |
| | | 95 - 100 Watts | 35-3500K | 6 - 347/480V | MS-L7W - Wattstopper Sensor with White L7 Lens ¹ | | PCL - Polycarbonate ClearLens ⁶ | |
| | | 135 - 135 Watts | 40-4000K | | | | PFL - Polycarbonate Frosted Lens | |
| | | 175 - 175 Watts | 50-5000K | | EBU - Emergency Battery Backup ² | | AFL - Acrylic Frosted Len ⁷ | |
| | 03 - 3FT | 220 - 210 Watts | | | MOD3-Enlighted 0-10V ³ | | ACL - Acrylic Clear Lens ⁸ | |
| | | 270 - 270 Watts | | | | | | |
| | | 350 - 350 Watts | | | | | | |
| | | 420 - 420Watts | | | MSB - Bluetooth PIR sensor ⁹ | | | |
| | 04 - 4FT | 220 - 210 Watts | | | | | N - Narrow ⁴ | PCL - Polycarbonate ClearLens |
| | | 270 - 270 Watts | | | | | | |
| | | 350 - 350 Watts | | | | | | |
| | | 420 - 420Watts | | | | | | |

Notice:

- Dimming default setting is Bi-Level dim, 30% on vacancy and 100% on Occupancy. Besides, daylight sensor default setting is disable. If need other dimming levels such as 20% or 30% , ON/OFF sensor and daylight sensor functions please contact the Customer Service or please change the settings by yourself at site.
- Emergency battery backup is available in 10W with 1800lm and works for a minimum of ninety (90) minutes. For ambient temperatures of 32°F-104°F(0°C-40°C). The emergency test button is pre-installed on fixture. The EBU is Title 20 compliant. Please contact Customer Service for special emergency requirement.
- Enlighted control is only for 120-277V and will take long time. Luminaire will be shipped with Sensors installed on the luminaire, allowing for individual luminaire control. Luminaires will be ready to be integrated with designated control systems. "Gateway program" need to be purchased separately. Please Ask Customer Service in advance for Details.
- General distribution is standard. Narrow distribution is available but has MOQ requirement, please contact Customer Service if needed. Different lens for General distribution need to be ordered separately and field installed. Narrow Distribution only has PCL which will be installed on the fixture in factory.
- Lens for general distribution are ordered and shipped separately. Please refers to the accessory table for details.
- Polycarbonate clear lens is standard. If for polycarbonate frosted lens, acrylic clear and frosted lens, please contact customer service for lead time firstly.
- Acrylic frosted lens is not available with Narrow and Medium distribution.
- Acrylic clear lens is not available with Narrow and Medium distribution.
- The Bluetooth PIR sensor is for mounting height of 39.4ft (12m) max. It is only for 120-277V.

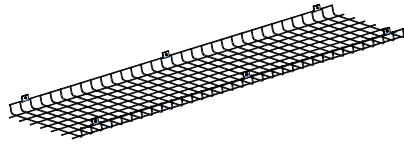
* White end cap and aluminum finish body is standard. Custom color is available for a premium setup fee. Consult customer service for additional information

Accessories (Ordered separately)



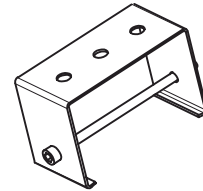
90205

HLHB02-WG
Wire guard for 2ft heavenly
linear high bay



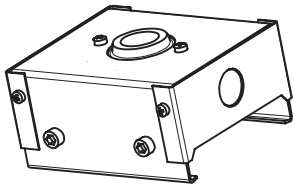
90206

HLHB04-WG
Wire guard for 4ft heavenly
linear high bay



90207

HLHB-CMK (a pair)
Channel mounting kits for
heavenly linear high bay



90208

HLHB-PMK
Pendant mounting kits for
heavenly linear high bay



N/A

V-clip pair
A pair of V-clips for heavenly
linear high bay

Notices: V-clip mounting kits is standard and
shipped together. All the other Accessories
need to be ordered separately.



Picture is for Twist Lock Plug

90097

L5-15P 125V 15A Straight Plug
10ft white (18AWGx3)

90098

L7-15P 277V 15A Twist Lock Plug
10ft white (18AWGx3)

90582

L24-20P 347V 20A Twist Lock Plug
10ft white (18AWGx3)

90583

L6-15P 250V 15A Twist Lock Plug
10ft white (18AWGx3)

91033

L8-20P 480V 20A Twist Lock Plug
10ft white (18AWGx3)



90308

AC10-HK-300YF
Gripple Aircraft cable 10' with
lock and hook, Y-fit (**one piece**)

Notices:

1. Please order two pieces for one fixture.
2. Please check a separate manual for details of Gripple Aircraft Cable.



90252

HLHB04-G-PFL

4 pieces of polycarbonate frosted lens for 4ft HLHB, general distribution

90255

HLHB04-G-PCL

4 pieces of polycarbonate clear lens for 4ft HLHB, general distribution

90256

HLHB04-G-AFL

4 pieces of acrylic frosted lens for 4ft HLHB, general distribution

90257

HLHB04-G-ACL

4 pieces of acrylic clear lens for 4ft HLHB, general distribution



HLHB03-G-PFL

4 pieces of polycarbonate frosted lens for 3ft HLHB, general distribution

HLHB03-G-PCL

4 pieces of polycarbonate clear lens for 3ft HLHB, general distribution

HLHB03-G-AFL

4 pieces of acrylic frosted lens for 3ft HLHB, general distribution

HLHB03-G-ACL

4 pieces of acrylic clear lens for 3ft HLHB, general distribution



90258

HLHB02-G-PFL

4 pieces of polycarbonate frosted lens for 2ft HLHB, general distribution

90259

HLHB02-G-PCL

4 pieces of polycarbonate clear lens for 2ft HLHB, general distribution

90260

HLHB02-G-AFL

4 pieces of acrylic frosted lens for 2ft HLHB, general distribution

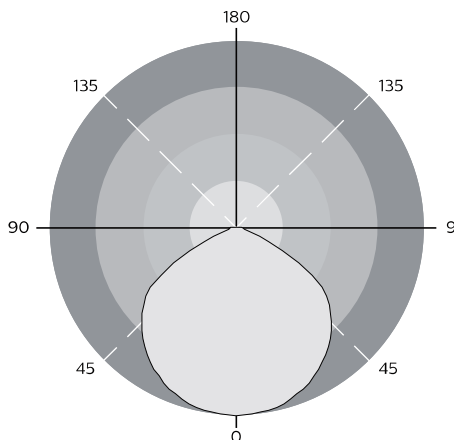
90261

HLHB02-G-ACL

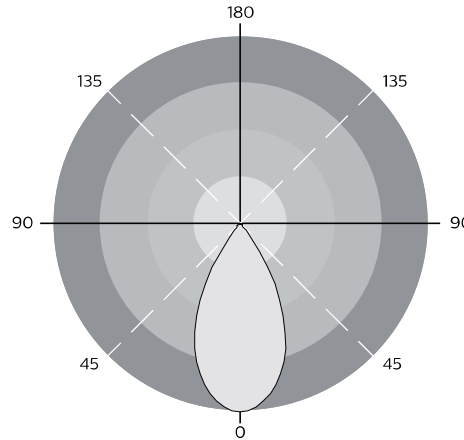
4 pieces of acrylic clear lens for 2ft HLHB, general distribution

PHOTOMETRY

Distribution types for reference only.



General



Narrow

PERFORMANCE DATA

LUMEN OUTPUT

Lumen values are measured by third party certified laboratories performed in accordance with IESNA LM-79-08. Lumen efficacy is based on the ambient temperature of 77°F.

Without Lens

| Series | Nominal Watts | Measured Watts | Lumen | CCT, Ra | Distribution | Lens | Efficacy | Maximum Ambient |
|--------|---------------|----------------|-------|----------|--------------|------|----------|-----------------|
| | 65 | 65 | 11400 | 5000, 80 | General | None | 175 | 150 °F (65 °C) |
| 2FT | 95 | 100 | 17500 | 5000, 80 | General | None | 175 | 150 °F (65 °C) |
| HLHB | 135 | 135 | 23600 | 5000, 80 | General | None | 175 | 150 °F (65 °C) |
| | 175 | 175 | 31500 | 5000, 80 | General | None | 180 | 150 °F (65 °C) |
| | 220 | 210 | 37800 | 5000, 80 | General | None | 180 | 140 °F (60 °C) |
| 3FT | 220 | 210 | 37800 | 5000, 80 | General | None | 180 | 140 °F (60 °C) |
| HLHB | 270 | 270 | 47300 | 5000, 80 | General | None | 175 | 140 °F (60 °C) |
| | 350 | 350 | 61250 | 5000, 80 | General | None | 175 | 131 °F (55 °C) |
| | 420 | 420 | 73500 | 5000, 80 | General | None | 175 | 113 °F (45 °C) |
| 4FT | 220 | 210 | 37800 | 5000, 80 | General | None | 180 | 150 °F (65 °C) |
| HLHB | 270 | 270 | 47300 | 5000, 80 | General | None | 175 | 150 °F (65 °C) |
| | 350 | 350 | 63000 | 5000, 80 | General | None | 180 | 150 °F (65 °C) |
| | 420 | 420 | 75600 | 5000, 80 | General | None | 180 | 150 °F (65 °C) |

| Lens | Lumen Multiplier |
|-----------------------------|------------------|
| None | 1 |
| Clear Polycarbonate (PCL) | 0.91 |
| Acrylic Clear (ACL) | 0.93 |
| Polycarbonate Frosted (PFL) | 0.88 |
| Acrylic Frosted (AFL) | 0.89 |

With Polycarbonate Clear Lens

| Series | Nominal Watts | Measured Watts | Lumen | CCT, Ra | Distribution | Lens | Efficacy | Maximum Ambient |
|--------|---------------|----------------|-------|----------|--------------|------|----------|-----------------|
| | 65 | 65 | 10340 | 5000, 80 | General | PCL | 159 | 150 °F (65 °C) |
| 2FT | 95 | 100 | 15900 | 5000, 80 | General | PCL | 159 | 150 °F (65 °C) |
| HLHB | 135 | 135 | 21470 | 5000, 80 | General | PCL | 159 | 150 °F (65 °C) |
| | 175 | 175 | 28700 | 5000, 80 | General | PCL | 164 | 150 °F (65 °C) |
| | 220 | 210 | 34440 | 5000, 80 | General | PCL | 164 | 140 °F (60 °C) |
| 3FT | 220 | 210 | 34440 | 5000, 80 | General | PCL | 164 | 140 °F (60 °C) |
| HLHB | 270 | 270 | 42930 | 5000, 80 | General | PCL | 159 | 140 °F (60 °C) |
| | 350 | 350 | 55650 | 5000, 80 | General | PCL | 159 | 131 °F (55 °C) |
| | 420 | 420 | 66780 | 5000, 80 | General | PCL | 159 | 113 °F (45 °C) |
| 4FT | 220 | 210 | 34440 | 5000, 80 | General | PCL | 164 | 150 °F (65 °C) |
| HLHB | 270 | 270 | 42930 | 5000, 80 | General | PCL | 159 | 150 °F (65 °C) |
| | 350 | 350 | 57400 | 5000, 80 | General | PCL | 164 | 150 °F (65 °C) |
| | 420 | 420 | 68880 | 5000, 80 | General | PCL | 164 | 140 °F (60 °C) |

Lumen Ambient Temperature (LAT) Multipliers

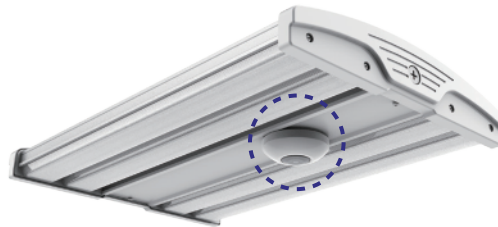
Use these factors to determine relative lumen output for average ambient temperature from -4-150°F (-20-65°C)

| Ambient | | Multiplier |
|---------|------------|------------|
| Celsius | Fahrenheit | |
| 0 | 32 | 1.02 |
| 25 | 77 | 1.00 |
| 40 | 104 | 0.98 |
| 50 | 122 | 0.97 |
| 60 | 140 | 0.95 |
| 65 | 150 | 0.94 |

Projected LED Lumen Maintenance

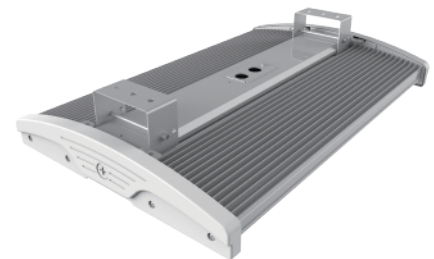
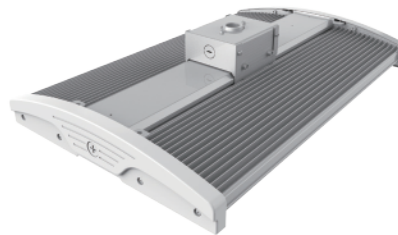
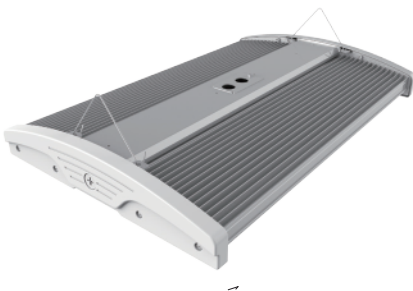
Data references the extrapolated performance projections for the Heavenly Linear High Bay in a 77°F ambient, (tested per IESNA LM-80-08 and projected per IESNA TM-21-11).

| Operating Hours | 10,000H | 18,000H | 35,000H | 144,000H |
|--------------------------|-----------|-----------|-----------|-----------|
| Lumen Maintenance Factor | 0.98(L98) | 0.96(L96) | 0.92(L92) | 0.70(L70) |



- **Wattstopper**
Multi-level Motion Sensor
- **Bluetooth**
Wireless PIR sensor

- **Enlighted** Sensor



- **V Hook** Mounting

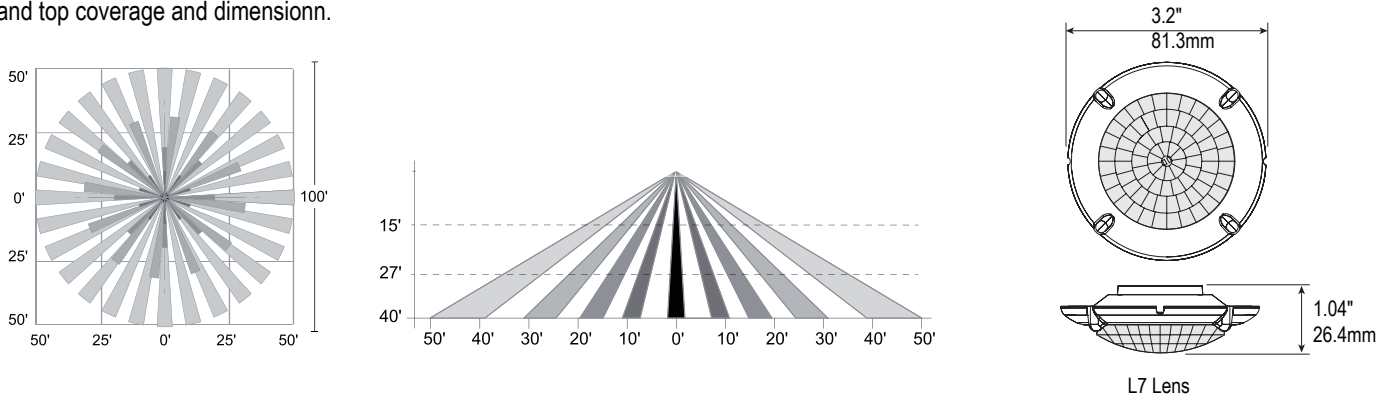
- **Pendant** Mounting

- **Channel** Mounting

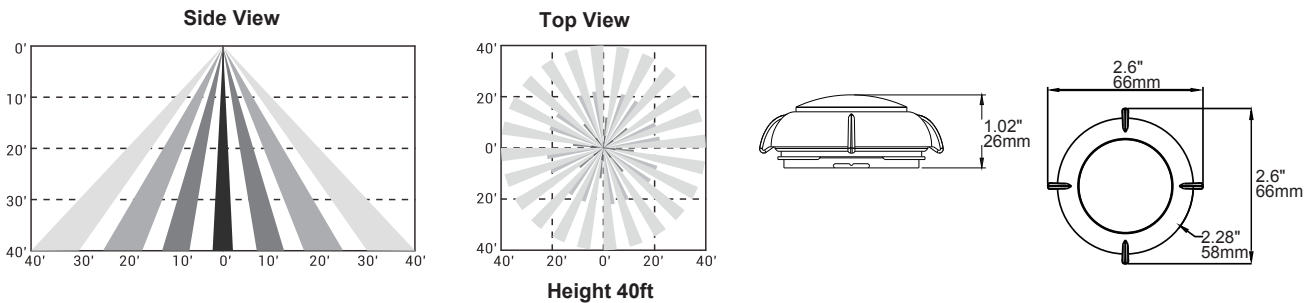
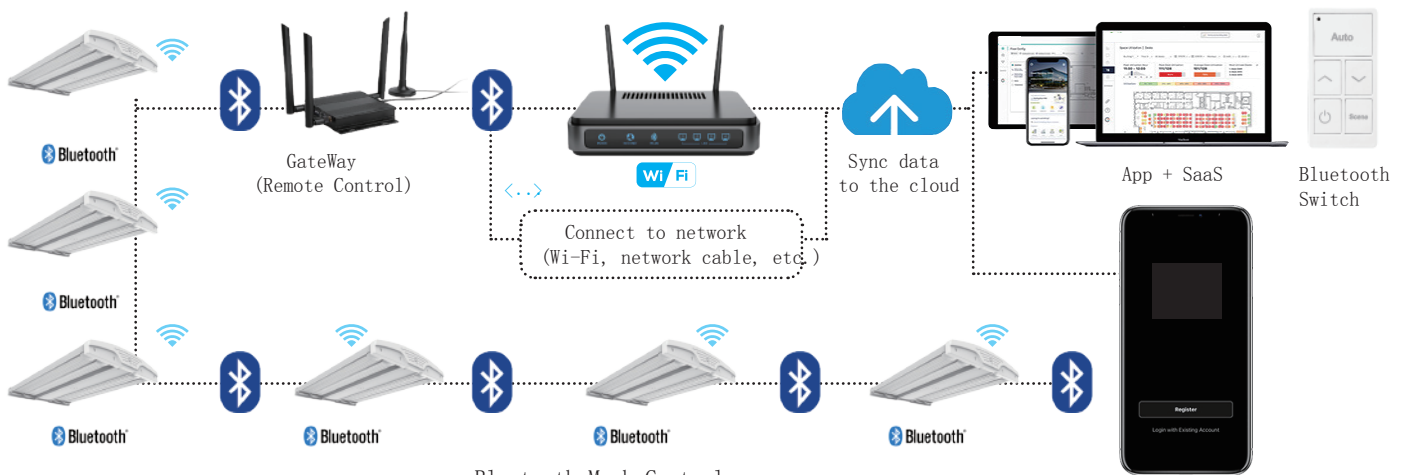
MULTI-LEVEL MOTION SENSOR (MS-L7W)

The fixture with occupancy sensor raises or lowers the electric lighting level to high, low or off based on motion and/or daylight contribution. Typically, once the sensor stops detecting movement and the time delay elapses, lights will first fade to low mode, and eventually switch off. When motion is detected, the sensor ramps the light level to high mode unless the daylight contribution is sufficient. The integral photocell can also switch the lights on and off for dusk to dawn control, so that lighting remains on overnight even without motion detection.

The L7 lens provides maximum coverage of 100 feet diameter mounted at 40 feet height. Please see below drawing for lens side and top coverage and dimensionn.



BLUETOOTH MICROWAVE MOTION SENSOR (AAL-EFS106)



Warranty

Five year limited warranty. Full warranty terms located at www.aboveallLighting.com/warrantystatements

Specifications subject to change without notice.