



SELECTABLE FOCUS ROUND LIGHT



PRODUCT DESCRIPTION

The Focus Round Light offers the FOCUS family of LED fixtures in diameters from 13.5" through 46.9". Recessed light source design achieving perfect glare control. Edge-lit technology and non-yellowing microprismatic optical PMMA. Flexible installations come in pendant, surface and wall mounted. Options are available in selectable white, direct and indirect light distributions.

FEATURE

- Fixtures in diameters from 13.5" through 46.9"
- Recessed light source design achieving perfect glare control
- Edge-lit technology and non-yellowing optical PMMA
- Rod and Aircraft Cable Pendant mounted and surface mounted
- Direct and indirect light distributions
- Integrated driver design reduce the time to recess the driver into junction box
- 3000K, 3500K, 4000K selectable

ELECTRICAL SYSTEM

- Input Voltage: 120-277V, 50/60Hz
- 0-10V Dimming standard
- Minimum Ambient -20°C, Maximum Ambient is 40°C
- Power Factor: > 0.9 at full load
- Total Harmonic Distortion: < 20% at full load

PERFORMANCE

CRI

80 is standard
90 is optional

CCT

3000K, 3500K, 4000K

Dimming

0-10V Dimming Standard

Projected Lifetime

L70 - 100,000 Hours

Working Temperature

-4-104°F (-20-40°C)

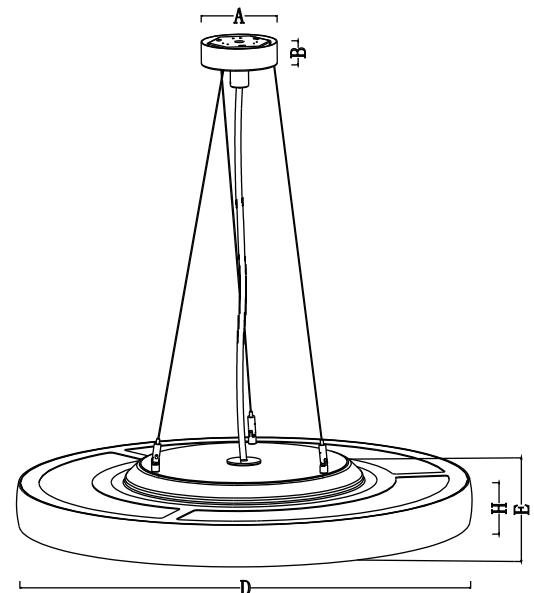
Certifications

- cETLus conforms to UL Std. 1598 Cert. to CSA Std. G22.2 No.250.0
- Suitable for damp locations
- RoHs compliant

SPECIFICATION

Wire Cord Length: 47.2"(1200mm)
Aircraft Cable Length: 98.4"(2500mm)
Pendant Rod Length: 39.4"(1000mm)

D	A	B	E	H
13.5"(342mm)	5.9"(150mm)	1.18"(30mm)	3.19"(81mm)	2.2"(56mm)
17.4"(442mm)	5.9"(150mm)	1.18"(30mm)	3.19"(81mm)	2.2"(56mm)
23.3"(592mm)	5.9"(150mm)	1.18"(30mm)	3.19"(81mm)	2.2"(56mm)
35.1"(892mm)	5.9"(150mm)	1.18"(30mm)	3.19"(81mm)	2.2"(56mm)
46.9"(1192mm)	5.9"(150mm)	1.18"(30mm)	3.19"(81mm)	2.2"(56mm)



Ordering Information

Example: FRSID24-64-SW801

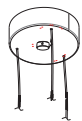
Series	Distribution	Diameter/Watts	- CCT	CRI	Voltage	Installation	- Controls	- Finish
FR	SID - Direct and Indirect ¹	14-28 - 13.5"/28W ¹	SW - 3000K 3500K 4000K selectable ²	80- 80Ra ³ 90- 90Ra ³	1-120-277V	Ordered and shipped separately ⁴	Blank-None	Blank-White
		18-42 - 17.4"/42W						BK - Black
		24-64 - 23.3"/64W						Optional Finish Colors (Need Additional Charge)*
		35-102 - 35.1"/102W						
		47-136 - 46.9"/136W ¹						
						ACPMK-FR Aircraft Cable Pendant Mount Kits		
						RPMK-FR Rod Pendant Mount Kits		
						SMK-FR Surface Mount Kits		
						SMK-1/2KO-FR Surface Mount Kits		

Notice:

1. Indirect light can be turned on and off by the DIP switch on the back of fixture.
2. 3500K is default setting. Other CCT can be set by the DIP switch on the fixture.
3. 80CRI is standard. 90 CRI can be available for an additional fee. Please contact customer service.
4. Mounting kits need to be bought separately.

* Standard Finish is White and Black. Additional charges will apply for all the other colors. Please contact customer service for premium adder.

Accessories (Order and ship separately)



ACPMK-FR

Aircraft Cable
Pendant Mount Kits
for Focus Light



RPMK-FR14/18/24

Rod Pendant Mount Kits
for 14"/18"/24" Focus Light

RPMK-FR35/47

Rod Pendant Mount Kits
for 35"/47" Focus Light



SMK-FR14/18

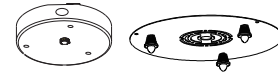
Surface Mount Kits
for 14"/18" Focus Light

SMK-FR24

Surface Mount Kits
for 24" Focus Light

SMK-FR35/47

Surface Mount Kits
for 35"/47" Focus Light



SMK-1/2KO-FR14/18

Surface Mount Kits with 1/2" KO
Conduit Feed for 14"/18" Focus Light

SMK-1/2KO-FR24

Surface Mount Kits with 1/2" KO
Conduit Feed for 24" Focus Light

SMK-1/2KO-FR35/47

Surface Mount Kits with 1/2" KO
Conduit Feed for 35"/47" Focus Light

Finish Color Options



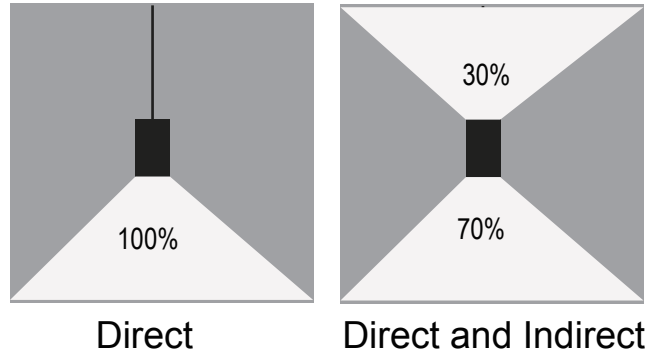
PERFORMANCE DATA

LUMEN OUTPUT

Lumen values are measured by third party certified laboratories performed in accordance with IESNA LM-79-08 as well as Lighting Facts listed.

Watts	Lumen Output	Size	AC Input 120V	CCT	CRI
28	2400	14"	0.23A	4000K	80
42	4000	18"	0.35A	4000K	80
64	6600	24"	0.53A	4000K	80
102	11000	35"	0.85A	4000K	80
136	15000	47"	1.13A	4000K	80

Illumination Ratio



Ref#: 20240416



Rod Pendant Mount



Aircraft Cable Pendant Mount



Surface Mount

Warranty

Five year limited warranty.

Note:

Specifications subject to change without notice.