

6" PORLA LED DOWNLIGHT

1800lm



This 6" Porla Recessed LED Downlight is powered by high efficiency LED chips and external LED driver. Round and square shapes with integral driver in a remote driver box. Five CCT selectable. Flexibility to switch color temperature during installation with the slide switch located on the cable. Reflector optic design. Ideal for a variety of applications for both residential and commercial settings.

TECHNICAL DATA

Wattage	24W
CCT	Selectable 2700K/ 3000K/3500K/ 4000K/5000K
Driver	Triac dimming is standard 0-10V is optional
CRI	90
Input Voltage	120V or 120-277V, 50/60Hz
Projected Lifetime	L70-50,000 Hours
Operating Temp.	-4°F to 104°F (-20°C to 40°C)
Certifications	cETLus conforms to UL Std. 1598 Cert. to CSA Std. C22.2 No.250.0 Suitable for wet locations IC rated RoHs compliant
Power Factor	>0.9 at full load
Harmonic Distortion	<20% at full load

FEATURES

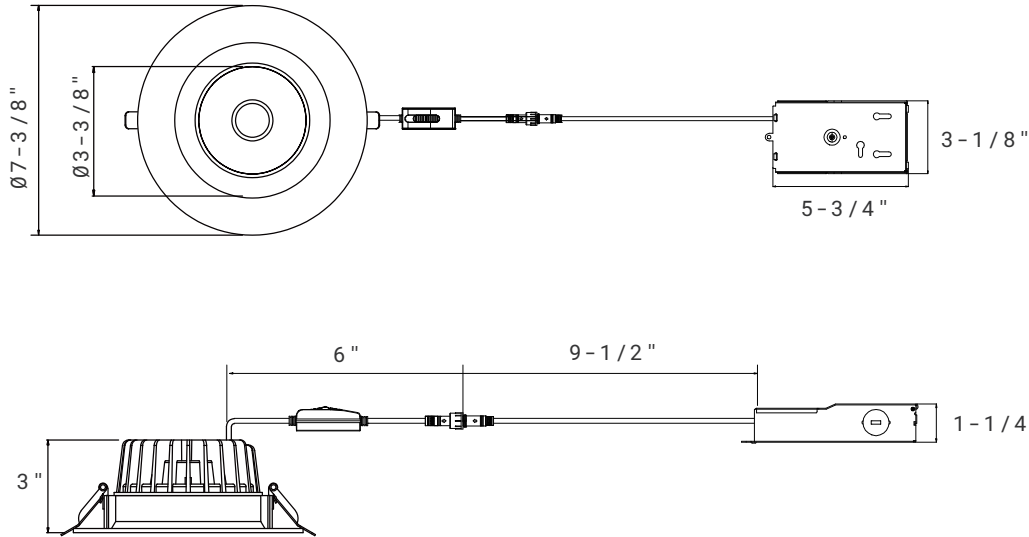
- 6" comes in round and square shapes.
- Five CCT selectable.
- Aluminum construction.
- FT6 cable is standard.

6" PORLA LED DOWNLIGHT

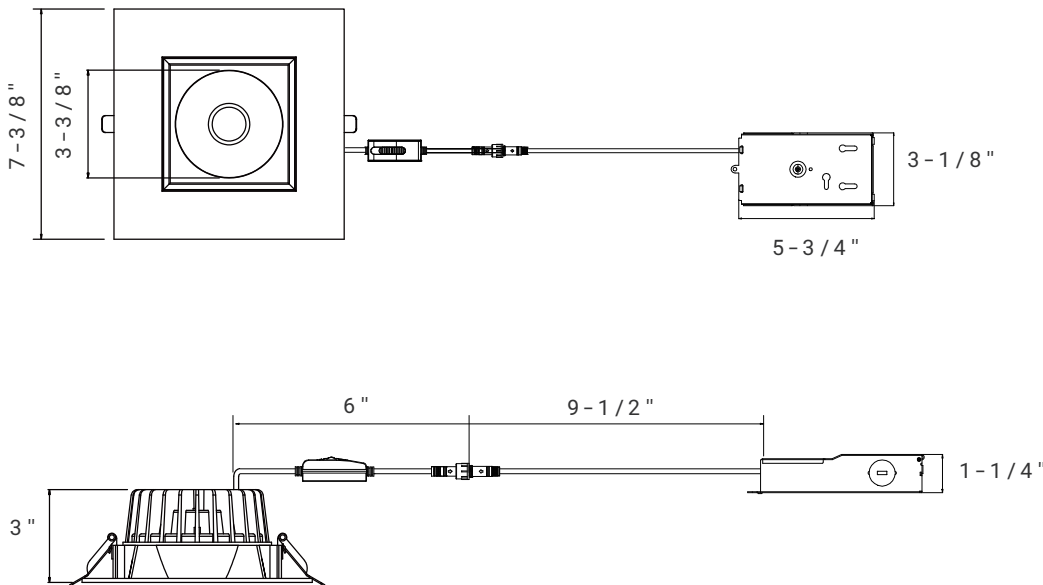
1800lm

SPECIFICATION

6" Round Triac and 0-10V Dimming



6" Square Triac and 0-10V Dimming



ORDERING INFORMATION

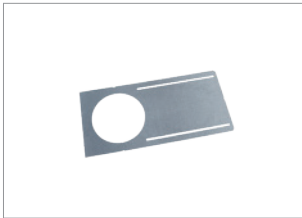
EXAMPLE: POR06-DLR-18LM-90-MBK

POR Series	Size	Downlight	Shape	Lumens/CRI	Trim Finish²	Driver
POR	06 6"	DL Downlight	R Round S Square	18LM-90 24W 1800lm/90CRI	MWH Matte White MBK Matte Black	POR-24W-4 Triac Dimmable Driver POR-24W-1 0-10V Dimmable Driver

NOTE:

1. 2700K, 3000K, 3500K, 4000K, 5000K selectable. 3000K is default setting.
2. Custom finish color is available for trim and additional charge will apply for custom finish.

ACCESSORIES



Rough-In Plate

POR-RIP-145

Pre-mounting plate for round trim opening Ø5-3/4".

POR-RIP-159

Pre-mounting plate for square trim opening Ø6-1/4".



FT6 Extension Cable (2 pin).

POR-EXC6-FT6

6 feet 2 pin cable.

POR-EXC10-FT6

10 feet 2 pin cable.

POR-EXC20-FT6

20 feet 2 pin cable.

6" PORLA LED DOWNLIGHT

1800lm

PERFORMANCE DATA

Lumen values are measured by third party certified laboratories performed in accordance with IESNA LM-79-08 as well as Lighting Facts listed.

Size	Nominal Wattage	Lumen Output	CCT	Beam Angle	CRI	Dimming	Cut Out
6 Inch DL	24W	1800lm@4000K	Selectable 2700K/3000K/ 3500K/4000K/5000K	38 degree	90	Triac or 0-10V Dimming	For Round Shape: Ø5-3/4" For Square Shape: Ø6-1/4"

WARRANTY

5 year limited warranty.

Specifications subject to change without notice.