

SEYCLICK HANDRAIL LED LIGHT

Dot Shape for Round Handrail



The Seyclick Series Dot Shape for Round Handrail Light features a stainless steel body with a curved structure, that fits perfectly inside the railing. When integrated into the railing, it provides decorative lighting that enhances aesthetics and increases visibility.

TECHNICAL DATA

Wattage	1.5W, 1.8W, 2W, 2.5W
CRI	80
CCT	2700K, 3000K, 3500K, 4000K
Input Voltage	24V DC
Projected Lifetime	L70-100,000 hours
Working Temp.	-20°C to 45°C (-4°F to 113°F)
Certifications	cETL Suitable for wet locations RoHS compliant
Power Factor	>0.9 at full load
Harmonic Distortion	<20% at full load
IP Rating	67

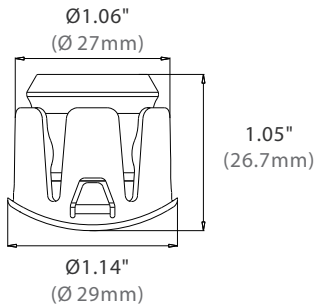
FEATURES

- IP67 waterproof.
- Suitable for standard $\text{Ø}1.89\text{''}\sim 2.48\text{''}$ (48~63mm) handrail with wall thickness 0.04''~0.06'' (1.0~1.5mm).
- Stainless steel 316 housing is standard, aluminum housing is optional.
- 3M waterproof connectors.

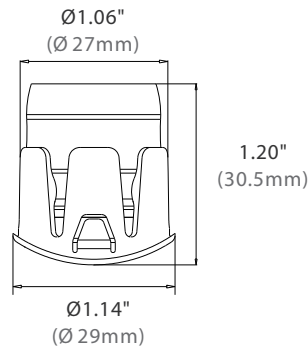
DIMENSION

1.5W & 1.8W

Asymmetric

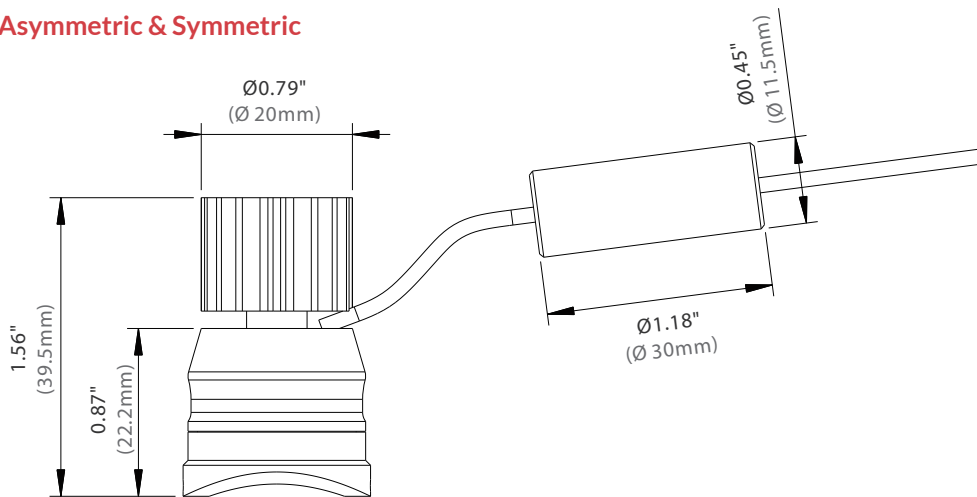


Symmetric

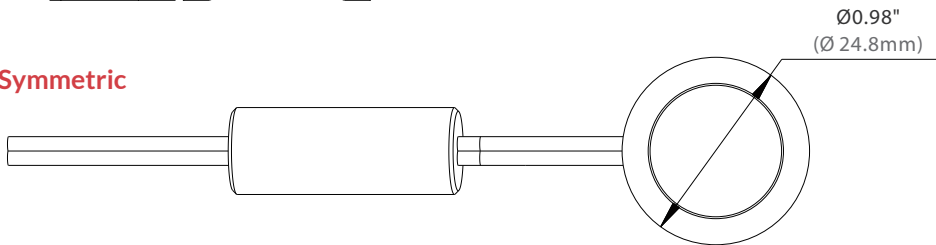


2W & 2.5W

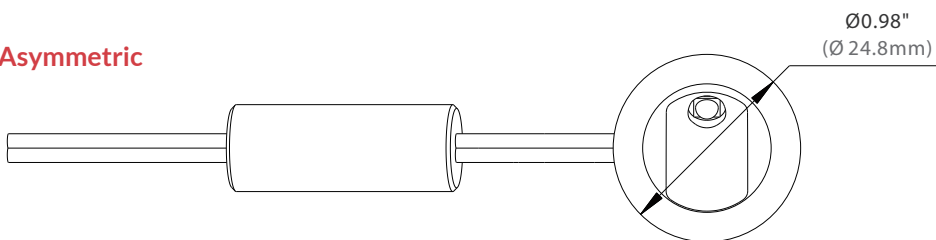
Asymmetric & Symmetric



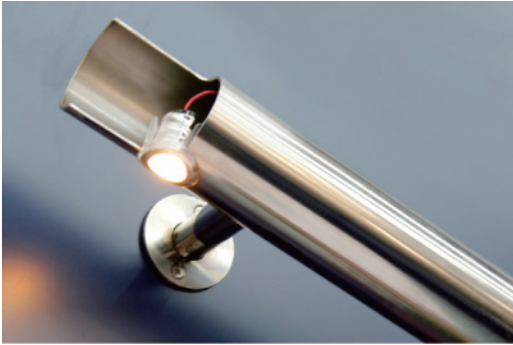
Symmetric



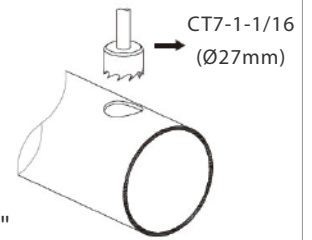
Asymmetric



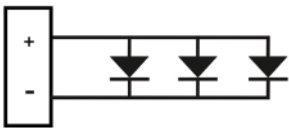
Handrail Tube



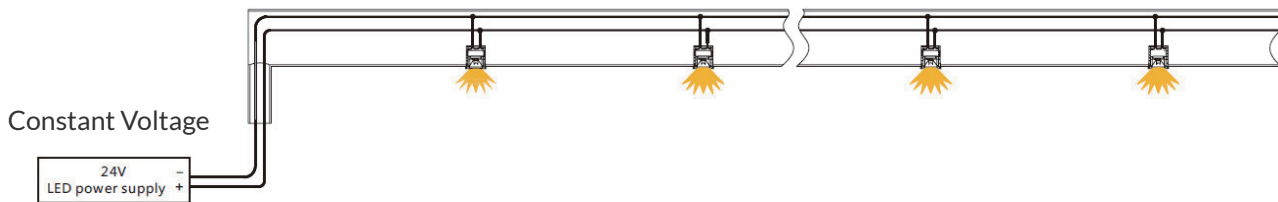
- Wall thickness T: 0.04"~0.06" (1.0~1.5mm)
 - Standard tube dimension: Ø1.89"~2.48" (48~63mm)
 - Cutout: 1.06" (27mm)
 - Cutting tool: CT7-1-1/16(Ø27mm)
- Note: 1.5W and 1.8W can be used for Ø1.5"~1.77" (38~45mm) tube.
- *** Fits most standard ADA handrail dimensions.



CONSTANT VOLTAGE



1. Easy to maintain with independent luminaire operation—if one fails, others continue working properly. It's then easy to locate and replace the damaged luminaire, reducing maintenance costs.
2. Easy to select proper LED drivers.



Notes:

1. The maximum distance between the LED driver and the last handrail light is 98.4ft(30 meters). 2 x 98.4ft(2 x 30 meters) handrail light runs can be separately connected to the same LED driver.
2. Suitable for class 2 power unit, maximum connected power no more than 100W. Handrail lights can be separately connected to the same LED driver.

TECHNICAL DATA

Model	Power(W)	Beam angle	Lumen	Input Voltage
1.5W-DC 24V Asy	1.5W	Asymmetric 80°	126lm	DC24V
1.5W-DC 24V Sym	1.5W	Symmetric 60°	139lm	DC24V
1.8W-DC 24V Asy	1.8W	Asymmetric 80°	155lm	DC24V
1.8W-DC 24V Sym	1.8W	Symmetric 60°	155lm	DC24V
2W-DC 24V Asy	2W	Asymmetric 80°	173lm	DC24V
2W-DC 24V Sym	2W	Symmetric 60°	169lm	DC24V
2.5W-DC 24V Asy	2.5W	Asymmetric 80°	210lm	DC24V
2.5W-DC 24V Sym	2.5W	Symmetric 60°	220lm	DC24V

ORDERING INFORMATION

EXAMPLE: SEY-DR-1.5W-30-24V-S-316

SEY							
Model	Shape	Wattage	CCT	Voltage	Distribution	Bezel	PC Clip
SEY	DR Dot for Round Handrail	1.5W	27	24V Constant Voltage DC24V	S Symmetric A Asymmetric	316¹ Stainless Steel 316 BK Black Aluminum	Blank Standard Clip Suitable for Ø1.89"~2.48" (48~63mm) tube SC² Small Clip Suitable for Ø1.5"~1.77" (38~45mm) tube
		1.5W	2700K				
		1.8W	30				
		1.8W	3000K				
		2W	35				
		2W	3500K				
	2.5W	40					
	2.5W	4000K					

NOTE:

1. Stainless Steel 316 is the standard bezel. Custom bezel colors are available at an additional charge.
2. Small Clip is only for 1.5W and 1.8W.

ACCESSORIES (ORDERED SEPARATELY AND FIELD INSTALLED)



XLN-60-24-B

Class 2, 60W, 0-10V Dimming,
24VDC Constant Voltage. IP67
Rated, Remote Driver.



XLG-100-24-A

Class 2, 96W, 0-10V Dimming,
24VDC Constant Voltage, IP67
Rated, Remote Driver.



AAL-ENCL-NEMA4-S

NEMA4 Enclosure.

AAL-ENCL-NEMA4X-SS

NEMA4X Stainless Steel Drip
Proof Enclosure.



SEY-DR-RKEY

Removal Key.



804

3M Waterproof connector
(a pair for one light).

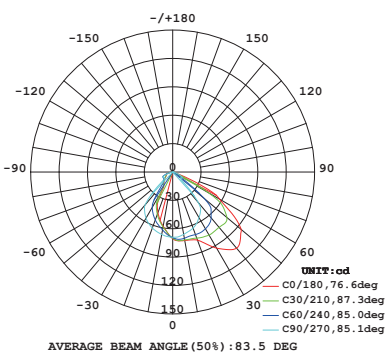
CONNECTION DETAILS

Driver Part Number	Handrail Light Power	Maximum Number of handrail lights connected per driver	Maximum Distance between the LED driver and the last handrail light
XLG-100-24-A	1.5W	51	98ft(30m)
	1.8W	42	98ft(30m)
	2W	38	98ft(30m)
	2.5W	31	98ft(30m)
XLN-60-24-B	1.5W	32	98ft(30m)
	1.8W	26	98ft(30m)
	2W	24	98ft(30m)
	2.5W	20	98ft(30m)

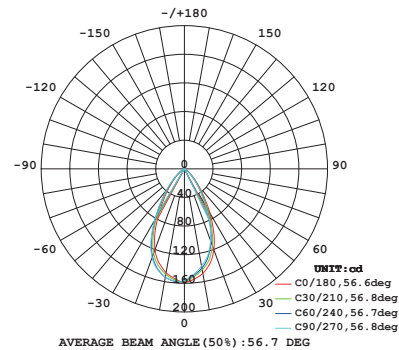
PHOTOMETRY

All published luminaire photometric testing performed to IESNA LM-79-08 standards by a NVLAP certified laboratory. IESNA LM-79-08 specifies the entire luminaire as the source resulting in a fixture efficiency of 100%. Results may vary per actual order.

Asymmetric Beam Angle 80°



Symmetric Beam Angle 60°



WARRANTY

5 years limited warranty.
 Specifications subject to change without notice.