



Open Guard



Eyelid Guard



Cross Guard



Grid Guard

The DIR LED Bulkhead Light has die-casting aluminum body and opal polycarbonate lens. A range of lumen options available from 1500 to 3500 lumens. Designed to endure extreme environmental conditions and physical abuse.

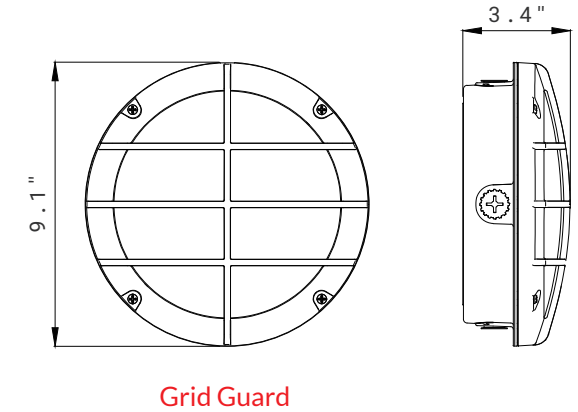
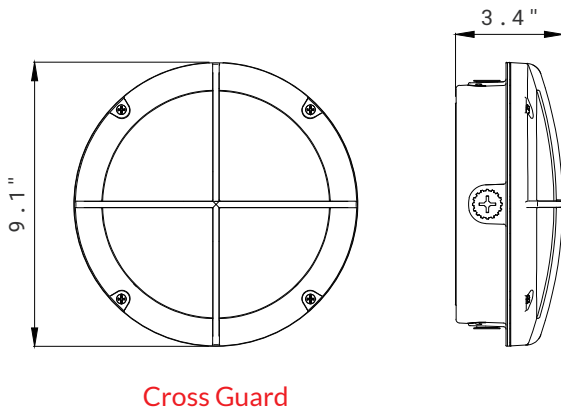
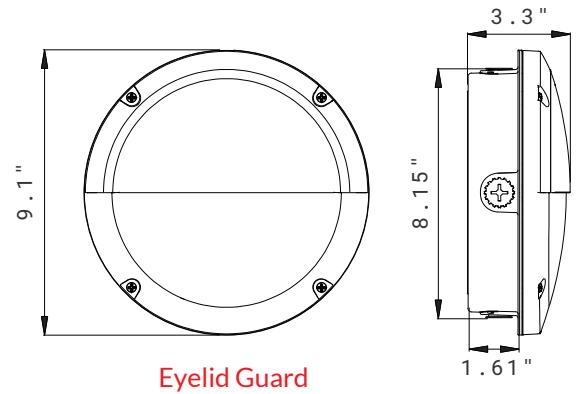
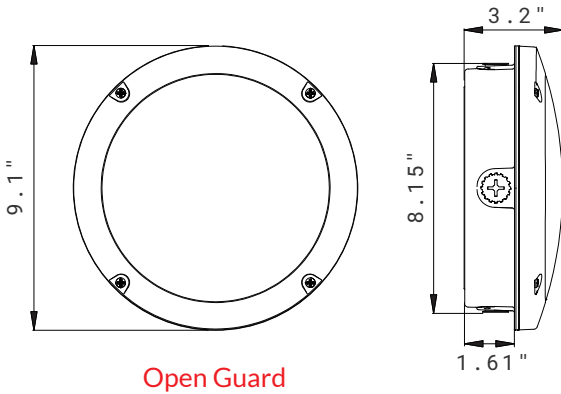
TECHNICAL DATA

Wattage	18W, 24W, 30W
CRI	
Standard	70
Optional	80
CCT	3000K, 3500K, 4000K, 5000K
Input Voltage	120-277VAC, 50/60Hz
Operating Temp.	-40°F to 104°F (-40°C to 40°C)
Driver	0-10V dimming
Certifications	cUL Listed RoHS compliant Suitable for wet locations
Power Factor	>0.9
Harmonic Distortion	≤20%
Projected Lifetime	L70 - 100,000 Hours
IP Rating	IP65

FEATURES

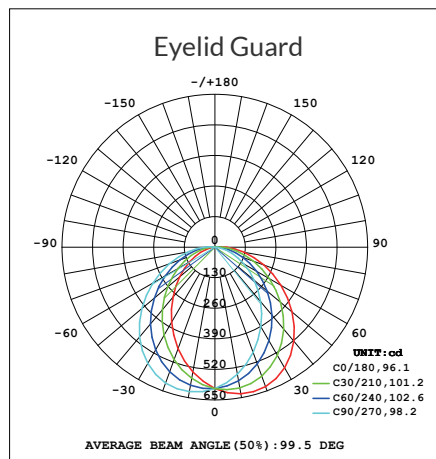
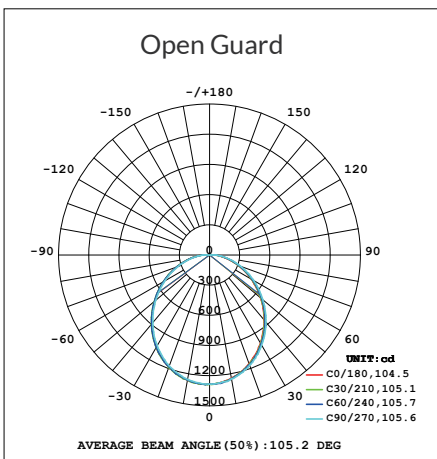
- **Photocontrol Available:** Photocontrol available for automatic on/off operation based on ambient lighting conditions.
- **Guard Options:** Available in Open, Cross, Eyelid, and Grid designs for varied protection and light distribution, with tamper proof screws.

SPECIFICATION

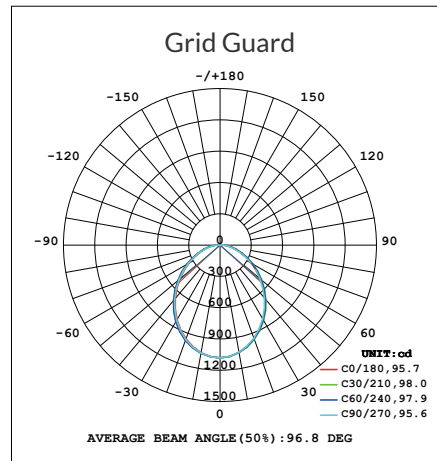
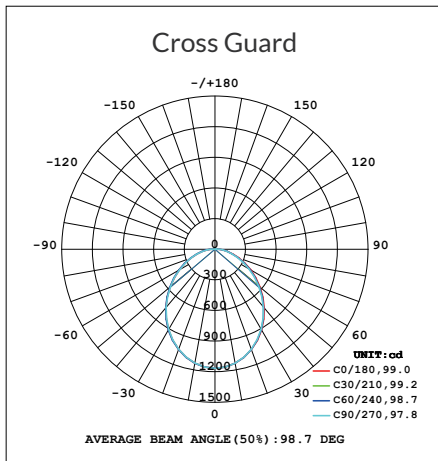


PHOTOMETRY

All published luminaire photometric testing performed to IESNA LM-79-08 standards by a NVLAP certified laboratory. IESNA LM-79-08 specifies the entire luminaire as the source resulting in a fixture efficiency of 100%. Results may vary per actual order.



PHOTOMETRY



ORDERING INFORMATION

EXAMPLE: DIR9-30301-PC-OP-BK

DIR9						
Series	Wattage	CCT	Voltage	Control	Guard	Finish
DIR9	18 18W	30 3000K	1 120-277V	BLANK 0-10V Dimming Driver	OP Open	BK Black ¹
	24 24W	35 3500K		PC Photocontrol	CS Cross	
	30 30W	40 4000K			ED Eyelid	
		50 5000K			GD Grid	

NOTE:

1. Black finish is standard. Custom color is available at an additional cost.

PERFORMANCE DATA

Lumen values are measured by third party certified laboratories performed in accordance with IESNA LM-79-08 as well as Lighting Facts listed.

Open

Power	CCT	Voltage	Lumen Output	LPW
30W	3000K	120-277V	3200lm	105
	3500K	120-277V	3300lm	110
	4000K	120-277V	3500lm	115
	5000K	120-277V	3300lm	110

Eyelid

Power	CCT	Voltage	Lumen Output	LPW
30W	3000K	120-277V	1550lm	50
	3500K	120-277V	1580lm	52
	4000K	120-277V	1650lm	55
	5000K	120-277V	1580lm	52

Cross

Power	CCT	Voltage	Lumen Output	LPW
30W	3000K	120-277V	2850lm	95
	3500K	120-277V	2950lm	100
	4000K	120-277V	3050lm	105
	5000K	120-277V	2950lm	100

Grid

Power	CCT	Voltage	Lumen Output	LPW
30W	3000K	120-277V	2600lm	85
	3500K	120-277V	2700lm	90
	4000K	120-277V	2800lm	95
	5000K	120-277V	2700lm	90

WARRANTY

5 years limited warranty.

Specifications subject to change without notice.