



Surface Mount (SM)

Pendant Mount (PM)



The versatile and reliable Umbra series features corrosion-resistant die-cast aluminum housing and an IK08-rated tempered glass lens, ensuring suitability for diverse environments and climates. With high efficiency, robust construction, and easy installation, it provides reliable illumination for warehouses, factories, parking garages and large facilities.

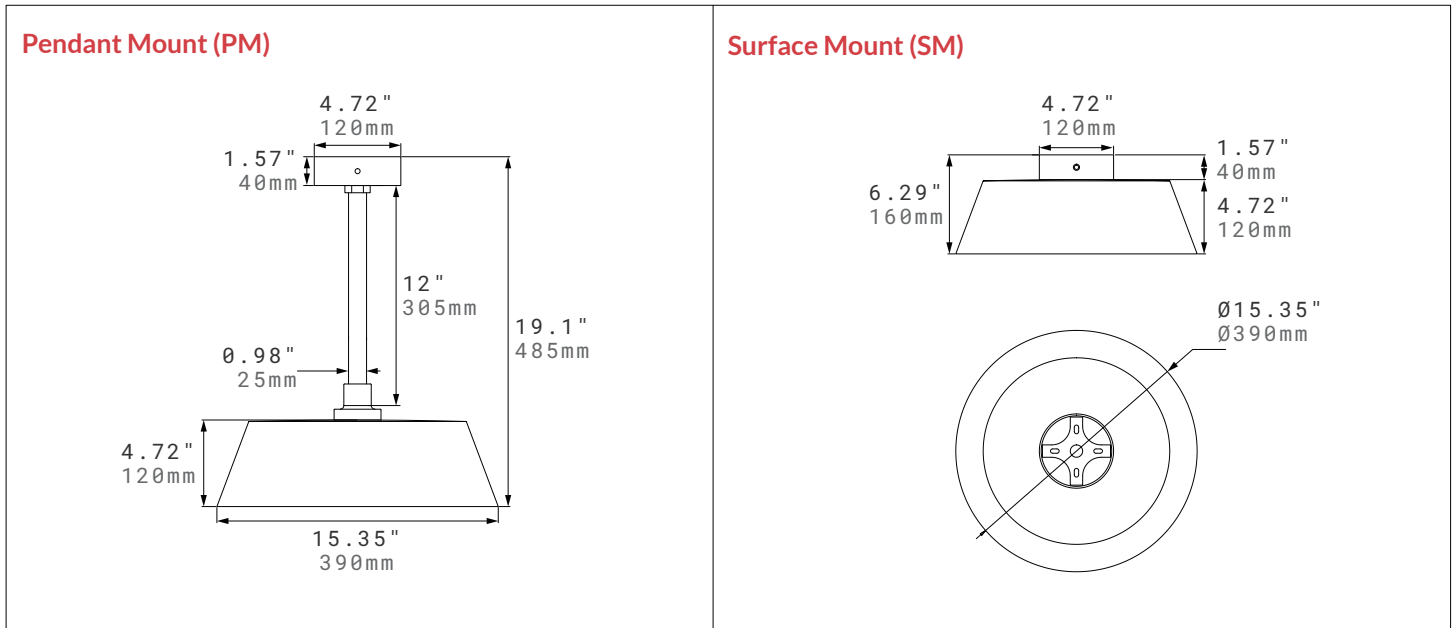
TECHNICAL DATA

Wattage	30W, 50W, 70W, 90W
CCT	2700K, 3000K, 3500K, 4000K
CRI	
Standard	80
Optional	90
Driver	0-10V dimming (0%-100%)
Input Voltage	120-347V
Projected Lifetime	L70-144,000 hours
Operating Temperature	-40°F to +104°F (-40°C to +40°C)
Certifications	ETL Listed
Power Factor	>0.9 at full load
Harmonic Distortion	<20% at full load
IP Rating	65
IK Rating	08
Net Weight	16lbs

FEATURES

- **Mounting Options:** Surface and pendant mount.
- **Robust Construction:** Corrosion-resistant die-cast aluminum housing and IK08-rated tempered glass. Built for harsh climates.

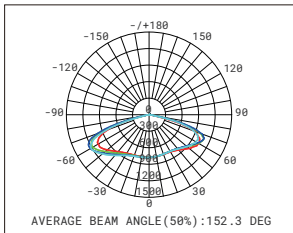
DIMENSION



PHOTOMETRY

All published luminaire photometric testing performed to IESNA LM-79-08 standards by a NVLAP certified laboratory. IESNA LM-79-08 specifies the entire luminaire as the source resulting in a fixture efficiency of 100%. Results may vary per actual order.

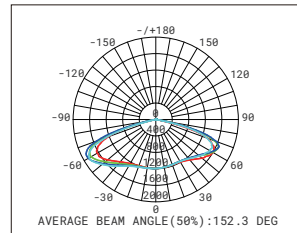
30W, Type V



UNIT: cd

- C0/180, 151.0
- C30/210, 153.5
- C60/240, 153.6
- C90/270, 150.9

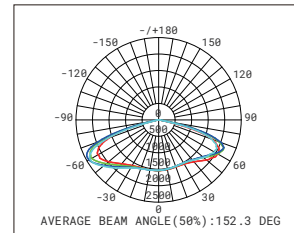
50W, Type V



UNIT: cd

- C0/180, 151.0
- C30/210, 153.5
- C60/240, 153.7
- C90/270, 150.9

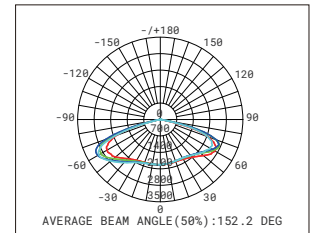
70W, Type V



UNIT: cd

- C0/180, 151.0
- C30/210, 153.5
- C60/240, 153.7
- C90/270, 150.9

90W, Type V



UNIT: cd

- C0/180, 150.9
- C30/210, 153.4
- C60/240, 153.6
- C90/270, 150.8

ORDERING INFORMATION

EXAMPLE: UMBRA-30308-SM-V-BK

UMBRA									
Series	Wattage	CCT	CRI	Voltage	Control	Installation	Distribution	Lens	Finish Color
UMBRA	30 30W	27 2700K	BLANK ¹ 80CRI	8 120-347V	BLANK 0-10V Dimming	PM ² Pendant (Stem need to be ordered separately)	V Type V	BLANK Glass Clear Lens PFL Polycarbonate Frosted Lens	BK ³ Black RAL9005
	50 50W	30 3000K	90 ¹ 90CRI						
	70 70W	35 3500K				SM Surface Mount			
	90 90W	40 4000K							

NOTES:

- 80CRI is standard. 90CRI is optional.
- The standard pendant stem length is 12". Pendant stem needs to be ordered separately. Please contact Customer Service for special stem length.
- Black is the standard finish. Custom colors are available at an additional charge.

ACCESSORIES (ORDERED SEPARATELY AND FIELD INSTALLED)



UMBRA-PM12-BK

12" long Pendant Stem for Umbra light, black.

NOTE:

- Custom pendant stem length is available at an additional charge.

PERFORMANCE DATA

Lumen values are measured by third party certified laboratories performed in accordance with IESNA LM-79-08 as well as Lighting Facts listed.

WATTAGE	CCT	DISTRIBUTION	LUMENS (lm)	CRI	LPW
30W	3000K	Type V	4507 lm	80	139 lm/W
50W	3000K	Type V	6904 lm	80	134 lm/W
70W	3000K	Type V	8891 lm	80	127 lm/W
90W	3000K	Type V	11137 lm	80	118 lm/W

BUG RATING TABLE

Performed to IESNA LM-79-08 standards by a NVLAP accredited laboratory.

Model #	BUG Rating
UMBRA-30308-V-BK	B2-U0-G1
UMBRA-50308-V-BK	B3-U0-G1
UMBRA-70308-V-BK	B3-U0-G1
UMBRA-90308-V-BK	B3-U0-G2

WARRANTY

5 years limited warranty.

Specifications subject to change without notice.