



The Wafer Fire Rated Downlight with a remote driver/junction box ideal for new construction and renovation work. Simplified Installation in drywall or suspended ceilings eliminates recessed cans. Wafer Fire Rated Downlight can install from below the ceiling in as little as a 1" plenum height and can be used indirect contact with insulation and is airtight. Distribution patterns work well in low to medium ceiling heights, applications are virtually universal including living and dining areas, bedrooms, closets, hallways, bathrooms, kitchens, basements, soffits, entryways and porches.

## TECHNICAL DATA

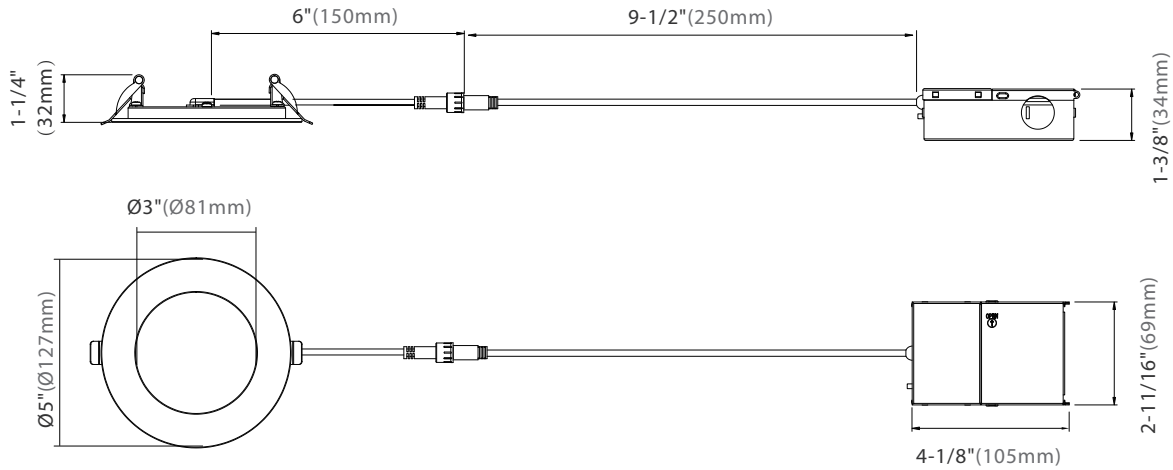
<b>Wattage</b>	12W for 4", 15W for 6"
<b>CCT</b>	Selectable 2700K/3000K/3500K 4000K/5000K
<b>Driver</b>	Triac dimming - standard
<b>CRI</b>	90
<b>Input Voltage</b>	120VAC, 50/60Hz
<b>Projected Lifetime</b>	L70-50,000 Hours
<b>Operating Temp.</b>	-4°F to 104°F (-20°C to 40°C)
<b>Certifications</b>	cETL Listed RoHS compliant Suitable for wet locations
<b>Power Factor</b>	>0.9 at full load
<b>Harmonic Distortion</b>	<20% at full load

## FEATURES

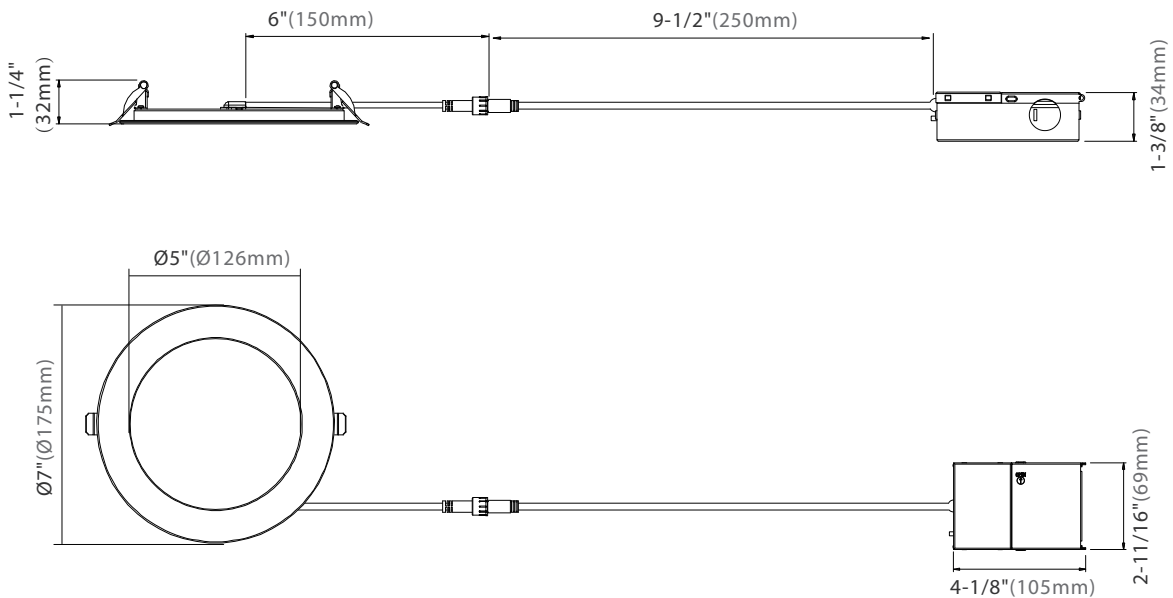
- 2-Hour fire rating providing a reinforced and heat resistant steel casing.
- Edge-lit technology, even illuminations.
- 5 CCT selectable.
- Type IC rated.
- Junction box with commercial grade driver included.
- Easy installation - no additional box required.

## SPECIFICATION

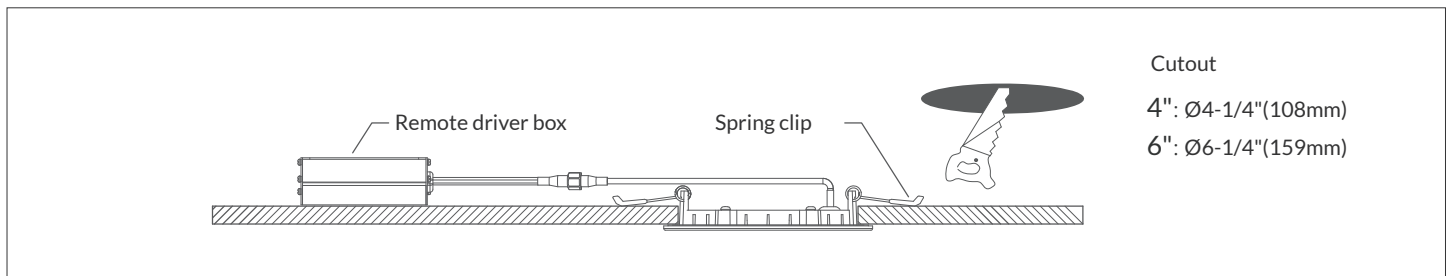
**12W, cutout: Ø4-1/4" (108mm)**



**15W, cutout: Ø6-1/4" (159mm)**



## INSTALLATION



## ORDERING INFORMATION

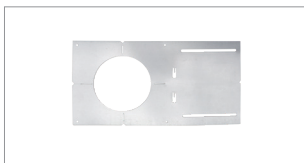
EXAMPLE: WAF04-DLR-08LM-90-MWH

WAF						
Series	Size	Downlight/ Adjustable	Shape	LUMENS/CRI	Trim Finish	Driver (Ordered separately)
WAF	04 4"	DL Downlight	R Round	08LM-90 850lm/90CRI	MWH <sup>2</sup> Matte White  MBK Matte Black	WAF04-12W-4 Driver for Wafer 4" 12W Triac Dimmable
	06 6"	DL Downlight	R Round	12LM-90 1200lm/90CRI	MWH <sup>2</sup> Matte White  MBK Matte Black	WAF06-15W-4 Driver for Wafer 6" 15W Triac Dimmable

### NOTE:

- 3000K is default setting. If need other CCT please contact Customer Service in advance to change the setting in factory or change the setting in the field.
- White finish is standard. Custom color is available at an additional charge.

## ACCESSORIES (ORDERED SEPARATELY AND FIELD INSTALLED)



**POR04-ADJ-RIP1**  
 Rough-in plate.  
 Opening Ø4-1/4"(108mm).



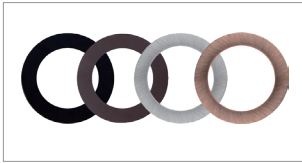
**POR-RIP-159**  
 Rough-in plate.  
 Opening Ø6-1/4"(159mm).



**GFR04-WH**  
 4" Goof Ring, White  
 Inside Diameter -  
 4 3/16" (106.8mm)  
 Outside Diameter -  
 5 3/4" (146mm)  
 Thickness - 0.04"(1mm)

**GFR06-WH**  
 6" Goof Ring, White  
 Inside Diameter -  
 6 3/16" (157.8mm)  
 Outside Diameter -  
 8" (203mm)  
 Thickness - 0.04"(1mm)

## ACCESSORIES (ORDERED SEPARATELY AND FIELD INSTALLED)



**WAF04-DTR-BK**  
 Decorative Trim Ring for  
 4" Wafer Down Light, Black.

**WAF04-DTR-BZ**  
 Decorative Trim Ring for  
 4" Wafer Down Light, Bronze.

**WAF04-DTR-NK**  
 Decorative Trim Ring for  
 4" Wafer Down Light, Nickel.

**WAF04-DTR-CP**  
 Decorative Trim Ring for  
 4" Wafer Down Light, Cooper.

**WAF06-DTR-BK**  
 Decorative Trim Ring for  
 6" Wafer Down Light, Black.

**WAF06-DTR-BZ**  
 Decorative Trim Ring for  
 6" Wafer Down Light, Bronze.

**WAF06-DTR-NK**  
 Decorative Trim Ring for  
 6" Wafer Down Light, Nickel.

**WAF06-DTR-CP**  
 Decorative Trim Ring for  
 6" Wafer Down Light, Cooper.

## PERFORMANCE DATA

Lumen values are measured by third party certified laboratories performed in accordance with IESNA LM-79-08 as well as Lighting Facts listed.

Wattage	Size	Lumen Output	CCT	CRI	Dimming	Cutout
12W	4 Inch DL	850 lm @3000K	Selectable 2700K/3000K/3500K/ 4000K/5000K	90	Triac dimming	Ø4-1/4"(108mm)
15W	6 Inch DL	1200 lm @3000K		90	Triac dimming	Ø6-1/4"(159mm)

## WARRANTY

5 year limited warranty.

Specifications subject to change without notice.