



DARKSKY APPROVED
 Reduces Light pollution
 Certified by DarkSky.org

The COPL Column LED Light has elegant, slim and column design. It brings architectural style to any area or site, impacting pedestrian-scale for improved comfort and security. High quality aluminum body, polycarbonate shade, moulded silicone gasket and stainless steel screws. This pole light is an excellent choice for walkways, entrances, promenades, plazas, courtyards, driveways, bridges, and landscaped areas.

TECHNICAL DATA

Wattage	30W, 45W, 60W
CCT	3000K, 4000K
Driver	Non-Dimming is standard 0-10V Dimming is optional
CRI	70 is standard 80 is optional
Input Voltage	120-277V, 50/60Hz
Projected Lifetime	L70-100,000 Hours
Operating Temp.	-22°F to 104°F (-30°C to 40°C)
Certifications	cETL Listed RoHS compliant 3000K CCT and dimming control being DarkSky Approved
Power Factor	>0.9
Harmonic Distortion	<20% at full load
IP Rating	IP65
EPA	1.68ft ²

Wind Load

Poles are rated for 180 mph allowable design wind speed (VASD).

Please make sure the concrete base is strong enough to bear the pole weight and wind load.

FEATURES

- Die cast aluminum.
- IP65 rated for wet location.

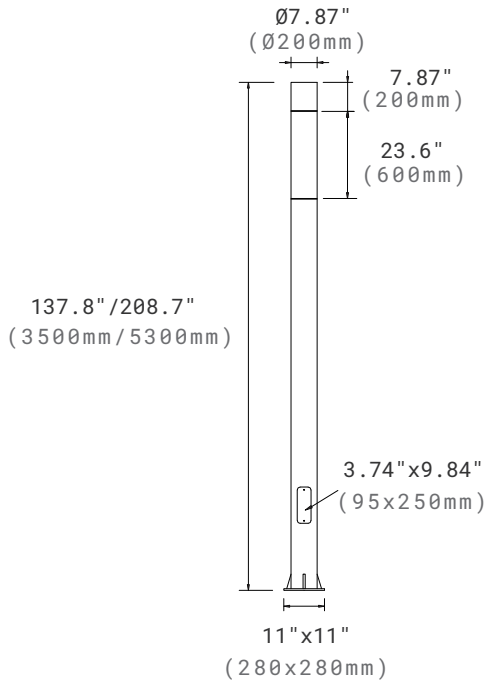


SPECIFICATION

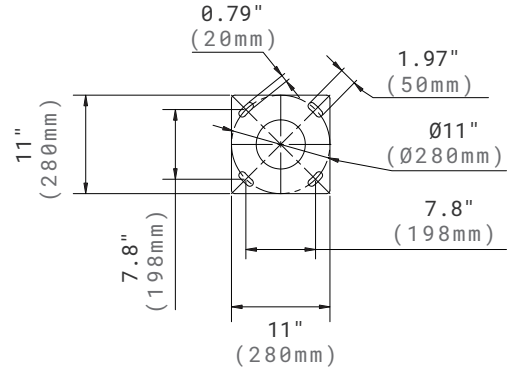
Dimension

Side View

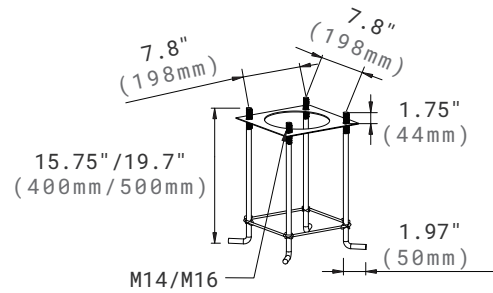
Pole Thickness: 0.118" (3mm)



Base Plate

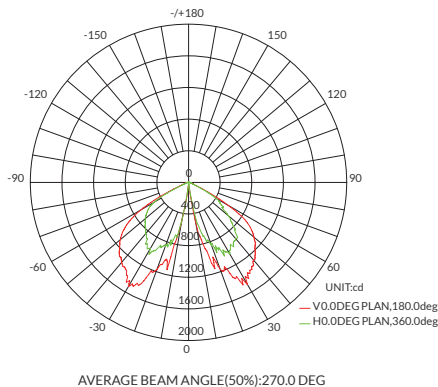


Anchor Bolts



PHOTOMETRY

All published luminaire photometric testing performed to IESNA LM-79-08 standards by a NVLAP certified laboratory. IESNA LM-79-08 specifies the entire luminaire as the source resulting in a fixture efficiency of 100%. Result may vary per actual order.



ORDERING INFORMATION

Standard Model

EXAMPLE: COPL-30301-BK

COPL						
Name	Wattage	CCT	Voltage	Distribution	Finish	Options
COPL	30 30W 45 45W 60 60W	30 3000K 40 4000K	1 120-277V	Blank Type V ¹	BK ² Black ²	Blank None D 0-10V Dimming Driver

NOTE:

- Type V is standard. Please contact Customer Service for type I/II/III/IV.
 - Black finish is standard. Custom finish colors are available at an additional charge. Please contact Customer Service for premium options.
- * The pole and anchor bolts need to be bought separately.

DarkSky-Approved Model

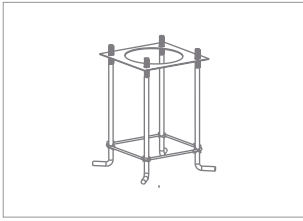
EXAMPLE: COPL-30301-BK-D

COPL						
Name	Wattage	CCT	Voltage	Distribution	Finish	Options
COPL	30 30W	30 3000K	1 120-277V	Blank Type V	BK ¹ Black ¹	D 0-10V Dimming Driver

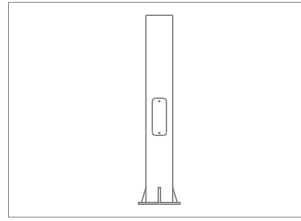
NOTE:

- Black finish is standard. Custom finish colors are available at an additional charge. Please contact Customer Service for premium options.
- * The pole and anchor bolts need to be bought separately.

ACCESSORIES(ORDERED SEPARATELY)



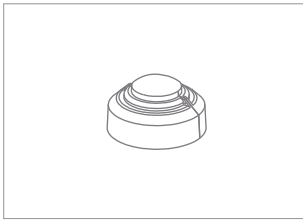
ABMK-COPL-5/6M
 Anchor Bolts Mounting
 Kits for 16.4ft to 19.69ft
 (5m to 6m) Height Pole.
 M16x500mm.



COPL-2.7POLE-BK
 8.86ft (2.7m) Pole, Black.

COPL-4.5POLE-BK
 14.76ft (4.5m) Pole, Black.

** The length is for pole only not including the top luminaire.
 * Pole length and finish color can be customized.*



COPL-PBC-BK
 Pole Base Cover, Black.

PERFORMANCE DATA

Lumen values are measured by third party certified laboratories performed in accordance with IESNA LM-79-08 as well as Lighting Facts listed.

Wattage	Lumen Output	CCT	CRI
30W	3400lm	4000K	70
45W	4880lm	4000K	70
60W	5700lm	4000K	70

BUG RATING TABLE

Performed to IESNA LM-79-08 standards by a NVLAP accredited laboratory.

Model	BUG Rating
COPL-30301	B2-U0-G1

WARRANTY

5 year limited warranty.

Specifications subject to change without notice.