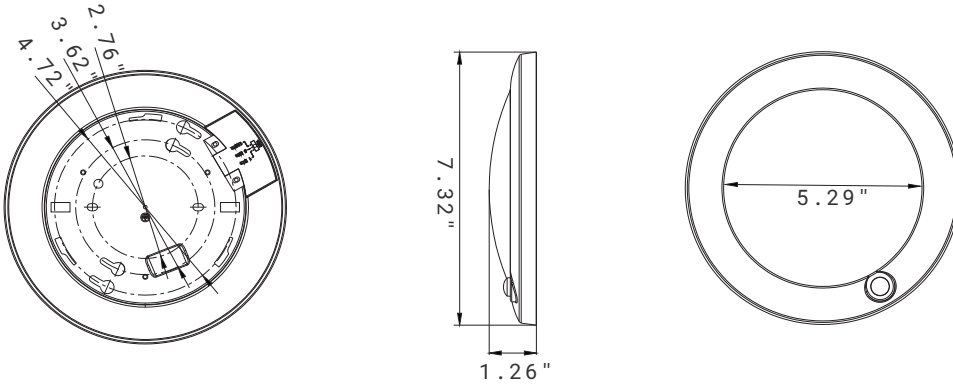


The LED Surface Mount Closet Light comes with PIR motion sensor. It will turn ON automatically when motion is detected not only in the dark but also in the daylight and turn OFF after one minute when no motion is detected. Flush mount to a 4" junction box. It is ideal for closets, workrooms, basements, storage areas and attics etc.

TECHNICAL DATA

Wattage	15W
CRI	
Standard	90
CCT	
Selectable	2700K/3000K/3500K/4000K/5000K
Input Voltage	
Standard	120V
Operating Temp.	-4°F to 104°F (-20°C to 40°C)
Driver	
Standard	Non- dimmable
Certifications	cETL Listed
	RoHS compliant
	Suitable for wet locations
Power Factor	>0.9 at full load
Harmonic Distortion	<20% at full load
Projected Lifetime	L70 - 50,000 Hours

SPECIFICATION



ORDERING INFORMATION

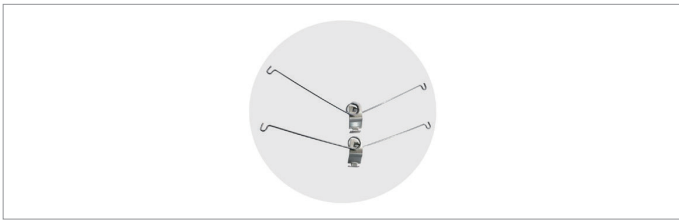
EXAMPLE: CST07R-15-SW904-MS-WH

CST								
Series	Size	Shape	Wattage	CCT	CRI	Voltage	Controls	Finish
CST	07 7.32"	R Round	15 15W	SW Selectable 2700K 3000K 3500K 4000K ¹ 5000K	90 90CRI	4 120V	MS PIR Motion Sensor ²	WH White ³

NOTE:

- 4000K is default setting.
- The light will turn ON automatically when motion is detected not only in the dark but also in the daylight and turn OFF after one minute when no motion is detected.
- White finish is standard. Custom color is available at an additional charge. Consult customer service for details.

ACCESSORIES (ORDERED SEPARATELY AND FIELD INSTALLED)



SCB

Spring Card Buckle.



E26LH

E26 Lamp Holder.

PERFORMANCE DATA

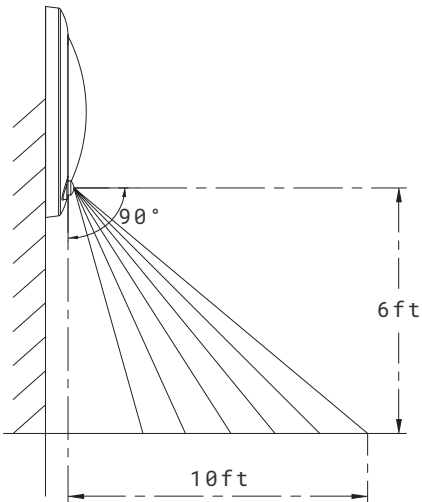
Lumen values are measured by third party certified laboratories performed in accordance with IESNA LM-79-08 as well as Lighting Facts listed.

Wattage	Lumen Output	Size	AC Input 120V	CCT	CRI	LPW
15W	1130lm	7inch	0.12A	4000K	90	75

DETECTION RANGE

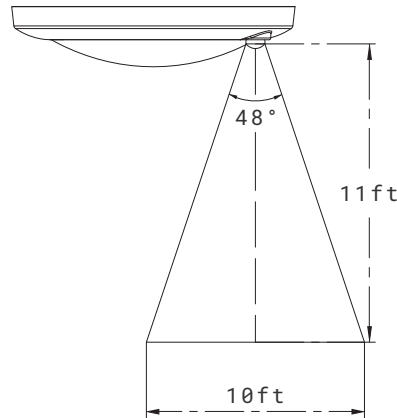
Wall Mount

The mounting height is 6 feet.
 Sensing distance is 10 feet.
 Sensing range is 90 degrees.



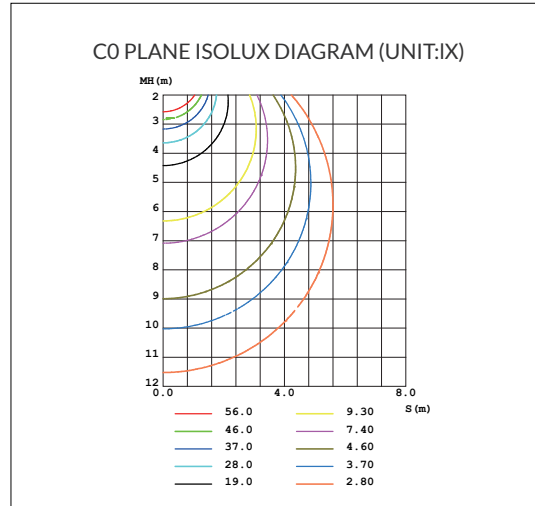
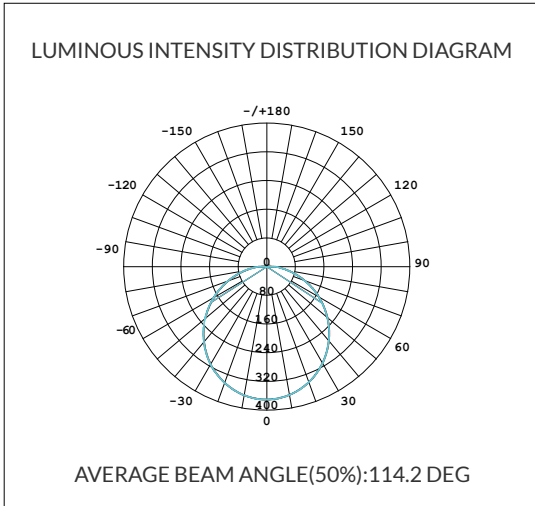
Ceiling Mount

The mounting height is 11 feet.
 Sensing distance is 10 feet.
 Sensing range is 48 degrees.



PHOTOMETRY

All published luminaire photometric testing performed to IESNA LM-79-08 standards by a NVLAP certified laboratory. IESNA LM-79-08 specifies the entire luminaire as the source resulting in a fixture efficiency of 100%. Results may vary per actual order.



WARRANTY

5 years limited warranty.
Specifications subject to change without notice.