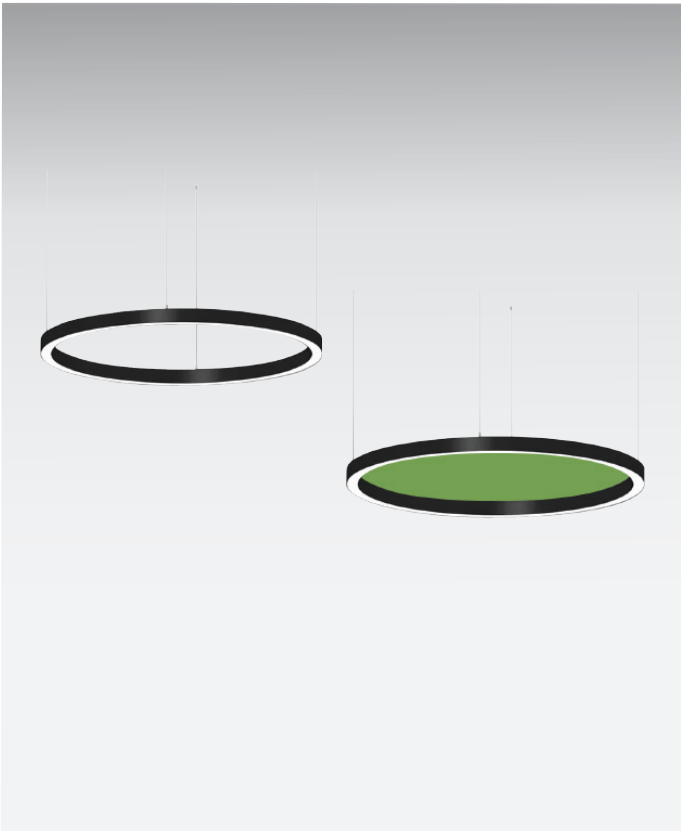


# VRD VICKY RING LIGHT

Downward, Acoustic Light Available



The Vicky Ring Light is a unique ring style light with an LED light source illuminating downward. It is available in sizes ranging from 23.6" (dia.) up to 196.9" (dia.). This design features aluminum body construction and an optional acoustic system that maximizes surface area to absorb sound waves and improve harmony in the installed space, providing a perfect integration of lighting and acoustic control.

## TECHNICAL DATA

<b>Wattage</b>	40W, 50W, 80W, 100W, 120W, 160W, 200W, 300W, 400W
<b>CCT</b>	3000K, 3500K, 4000K, 5000K
<b>Driver</b>	0-10V Dimming standard
<b>CRI</b>	90
<b>Input Voltage</b>	120-277V, 50/60Hz
<b>Projected Lifetime</b>	L70-100,000 Hours
<b>Operating Temp.</b>	-4°F to 104°F (-20°C to 40°C)
<b>Certifications</b>	cETLus conforms to UL Std. 1598 Cert. to CSA Std. C22.2 No.250.0 RoHS compliant Suitable for dry location
<b>Power Factor</b>	>0.9 at full load
<b>Harmonic Distortion</b>	<20% at full load

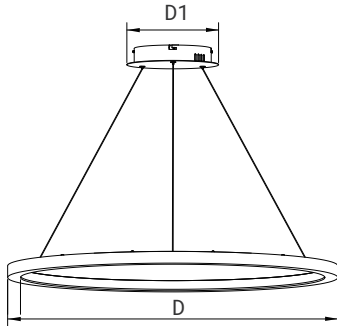
## FEATURES

- Fixtures in diameters from 23.6" through 196.9".
- Available in standard light and acoustic w/light.
- Direct illuminating.
- 30+ acoustic felt colors available.

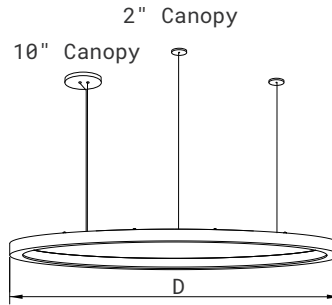
## SPECIFICATION

### Dimension

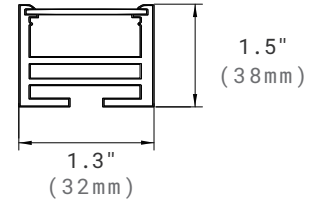
Cable and wire cord length: 59" (1.5m)



Central Canopy Suspended



Direct Suspended

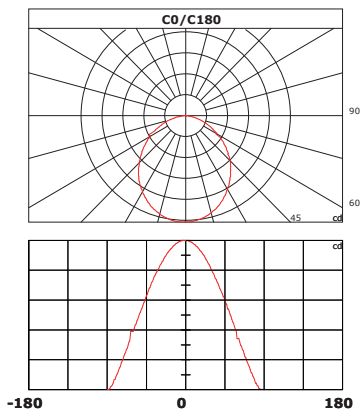


Section

Dimension		Driver Quantity	Section Quantity	Wattage
D	D1			
23.6"(600mm)	10.0"(250mm)	1	1	40W
35.4"(900mm)	10.0"(250mm)	1	1	50W
47.2"(1200mm)	10.0"(250mm)	2	1	80W
59.1"(1500mm)	10.0"(250mm)	2	1	100W
78.8"(2000mm)	14.0"(350mm)	3	3	120W
98.4"(2500mm)	14.0"(350mm)	4	4	160W
118.1"(3000mm)	18.0"(450mm)	5	5	200W
157.5"(4000mm)	20.0"(500mm)	6	6	300W
196.9"(5000mm)	20.0"(500mm)	12	6	400W

## PHOTOMETRY

All published luminaire photometric testing performed to IESNA LM-79-08 standards by a NVLAP certified laboratory. IESNA LM-79-08 specifies the entire luminaire as the source resulting in a fixture efficiency of 100%. Results may vary per actual order.



CIE Class: Direct  
 Measurement Flux: 6740.0lm  
 Efficiency: 86.22lm/W  
 Central Intensity: 2607.667cd  
 Max. Intensity: 2615.891cd  
 Field Angle(10%Imax): 155.94, 154.95

## ORDERING INFORMATION

EXAMPLE: VRD-4024-40901-ACPMK-WH-NSAC-021 130

VR						
1. Series	2. Light Emitting	3. Acoustic Configuration	4. Wattage/ Diameter	5. CCT	6. CRI	7. Voltage
VR Vicky Ring	D Downward Light	<b>BLANK</b> Light without Acoustic  <b>LA<sup>1</sup></b> Light with Acoustic <sup>1</sup>  <i>Specify color from the following list.</i>	<b>4024</b> 40W/Ø23.6"  <b>5035</b> 50W/Ø35.4"  <b>8047</b> 80W/Ø47.2"  <b>10059<sup>2</sup></b> 100W/Ø59.1"  <b>12079<sup>2&amp;3</sup></b> 120W <sup>2&amp;3</sup> /Ø78.8"  <b>16098<sup>2&amp;3</sup></b> 160W <sup>2&amp;3</sup> /Ø98.4"  <b>200118<sup>2&amp;3</sup></b> 200W <sup>2&amp;3</sup> /Ø118.1"  <b>300158<sup>2&amp;3</sup></b> 300W <sup>2&amp;3</sup> /Ø157.5"  <b>400197<sup>2&amp;3</sup></b> 400W <sup>2&amp;3</sup> /Ø196.9"	<b>30</b> 3000K  <b>35</b> 3500K  <b>40</b> 4000K  <b>50</b> 5000K	<b>90</b> 90Ra	<b>1</b> 120V-277V
		8. Installation	9. Control	10. Frame Finish	11. Acoustic Finish	
		<b>ACPMK<sup>4</sup></b> Central Canopy Aircraft Cable Suspended <sup>4</sup>  <b>DPMK<sup>4</sup></b> Direct Aircraft Cable Suspended <sup>4</sup>  <b>SMK<sup>4</sup></b> Surface Mount Kits <sup>4</sup>	<b>BLANK</b> 0-10V Dimming	<b>WH<sup>5</sup></b> White <sup>5</sup>  <b>BK<sup>5</sup></b> Black <sup>5</sup>	<b>BLANK</b> No Acoustic  <b>Acoustic Color Code<sup>6</sup></b> <i>Specify from the following table<sup>6</sup></i>	

# VRD VICKY RING LIGHT

Downward, Acoustic Light Available

## NOTE:

1. If choose acoustic, please choose the acoustic color in the following list.
2. Acoustic is not available for 100W, 120W, 160W, 200W, 300W and 400W.
3. 120W, 160W, 200W, 300W and 400W are shipped in sections and need to be installed in the field.
4. Central canopy pendant is standard for 40W/50W/80W/100W. Direct suspended is standard for 120W/160W/200W/300W/400W. Please contact Customer Service for special requirements.
5. White and black finish is standard. Custom finish colors are available at an additional charge. Please contact Customer Service for premium options.
6. There will be slight differences between the color of the acoustic image and the actual fabric because of computer display defects. The standard acoustic colors include: NSAC-021 130, NSAC-042 146, NSAC-028 110, NSAC-002 122, NSAC-033 103. Other acoustic colors might be available for an additional fee. Please check with Customer Service for more information.

## Acoustic Colors<sup>6</sup>



## PERFORMANCE DATA

Lumen values are measured by third party certified laboratories performed in accordance with IESNA LM-79-08 as well as Lighting Facts listed.

Wattage	Lumen Output	AC Input 120V	CCT	CRI	LPW
40W	3400lm	0.33A	4000K	90	85
50W	4250lm	0.42A	4000K	90	85
80W	6800lm	0.67A	4000K	90	85
100W	8500lm	0.83A	4000K	90	85
120W	10200lm	1.00A	4000K	90	85
160W	13600lm	1.33A	4000K	90	85
200W	17000lm	1.67A	4000K	90	85
300W	25500lm	2.50A	4000K	90	85
400W	34000lm	3.33A	4000K	90	85

### NOTE:

1. The lumen output is for the fixture without acoustic. The data for acoustic may vary based on different acoustic fiber colors. Please contact Customer Service if need the lumen output for acoustic version.
2. Lumen outputs for 100W/120W/160W/200W/300W/400W are calculated.

## WARRANTY

5 year limited warranty.

Specifications subject to change without notice.