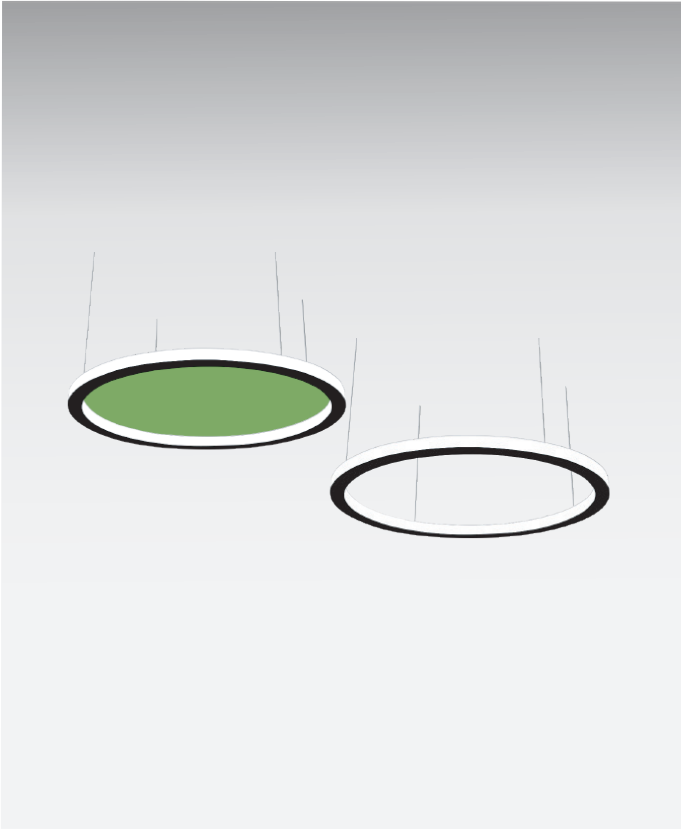


VRIO VICKY RING LIGHT

Inward & Outward, Acoustic Light Available



The Vicky Ring Light is a unique ring style light with an LED light source illuminating inward/outward. It is available in sizes ranging from 23.6" (dia.) up to 196.9" (dia.). This design features aluminum body construction and an optional acoustic system that maximizes surface area to absorb sound waves and improve harmony in the installed space, providing a perfect integration of lighting and acoustic control.

TECHNICAL DATA

Wattage	65W, 80W, 120W, 135W, 150W 200W, 300W, 400W, 480W
CCT	3000K, 3500K, 4000K, 5000K
Dimming	0-10V Dimming standard
CRI	90
Input Voltage	120-277V, 50/60Hz
Projected Lifetime	L70-50,000 Hours
Operating Temp.	-4°F to 104°F (-20°C to 40°C)
Certifications	cETLus conforms to UL Std. 1598 Cert. to CSA Std. C22.2 No.250.0 RoHS compliant Suitable for dry location
Power Factor	>0.9 at full load
Harmonic Distortion	<20% at full load

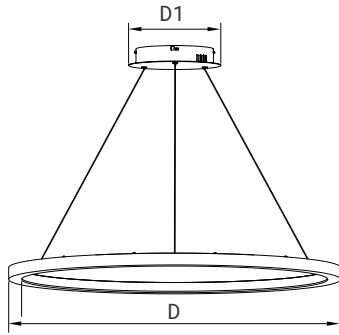
FEATURES

- Fixtures in diameters from 23.6" through 196.9".
- Available in standard light and acoustic w/light.
- Inward and outward illumination.
- 30+ acoustic felt colors available.

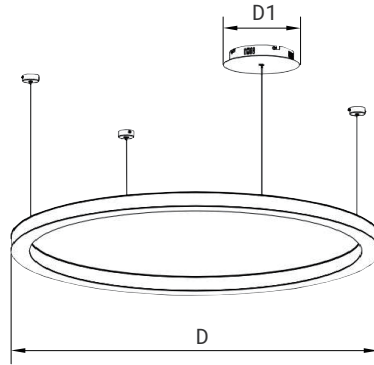
SPECIFICATION

Dimension

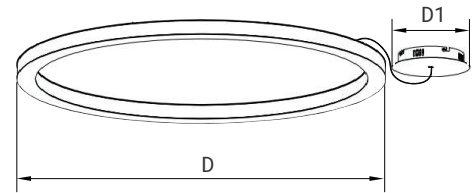
Cable and wire cord length: 59" (1.5m)



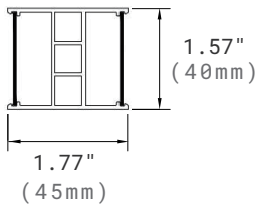
Central Canopy Suspended



Direct Suspended



Surface Mounted



Section

Central Canopy Suspended

Dimension		Driver Quantity	Section Quantity	Wattage/ Inward	Wattage/ Outward
D	D1				
23.6"(600mm)	9.8"(250mm)	2	1	32W	32W
35.4"(900mm)	9.8"(250mm)	2	1	40W	40W
47.2"(1200mm)	13.8"(350mm)	3	1	60W	60W
59.1"(1500mm)	13.8"(350mm)	3	1	65W	65W
78.8"(2000mm)	13.8"(350mm)	4	3	75W	75W
98.4"(2500mm)	17.7"(450mm)	5	4	100W	100W
118.1"(3000mm)	19.7"(500mm)	7	5	150W	150W
157.5"(4000mm)	23.6"(600mm)	8	6	200W	200W
196.9"(5000mm)	23.6"(600mm)	14	6	240W	240W

Direct Suspended

Dimension		Driver Quantity	Section Quantity	Wattage/ Inward	Wattage/ Outward
D	D1				
23.6"(600mm)	9.8" (250mm)*1	2	1	32W	32W
35.4"(900mm)	9.8" (250mm)*1	2	1	40W	40W
47.2"(1200mm)	13.8" (350mm)*1	3	1	60W	60W
59.1"(1500mm)	13.8" (350mm)*1	3	1	65W	65W
78.8"(2000mm)	9.8" (250mm)*2	4	3	75W	75W
98.4"(2500mm)	9.8" (250mm)*1 13.8" (350mm)*1	5	4	100W	100W
118.1"(3000mm)	9.8" (250mm)*2 13.8" (350mm)*1	7	5	150W	150W
157.5"(4000mm)	13.8" (350mm)*3	8	6	200W	200W
196.9"(5000mm)	9.8" (250mm)*4 13.8" (350mm)*3	14	6	240W	240W

Surface Mounted

Dimension		Driver Quantity	Section Quantity	Wattage/ Inward	Wattage/ Outward
D	D1				
23.6"(600mm)	9.8" (250mm)	2	1	32W	32W
35.4"(900mm)	9.8" (250mm)	2	1	40W	40W
47.2"(1200mm)	13.8" (350mm)	3	1	60W	60W
59.1"(1500mm)	13.8" (350mm)	3	1	65W	65W
78.8"(2000mm)	9.8" (250mm)	4	3	75W	75W

ORDERING INFORMATION

EXAMPLE: VRIO-8035-40901-ACPMK-WH-NSAC-021 130

VR						
1. Series	2. Light Emitting	3. Acoustic Configuration	4. Wattage/ Diameter	5. CCT	6. CRI	7. Voltage
VR Vicky Ring	IO Inward & Outward	BLANK Light without Acoustic LA¹ Light with Acoustic ¹ <i>Specify color from the following list.</i>	6524 65W/Ø23.6" 8035 80W/Ø35.4" 12047 120W/Ø47.2" 13559 135W/Ø59.1" 15079^{2&3} 150W ^{2&3} /Ø78.8" 20098^{2&3} 200W ^{2&3} /Ø98.4" 300118^{2&3} 300W ^{2&3} /Ø118.1" 400158^{2&3} 400W ^{2&3} /Ø157.5" 480197^{2&3} 480W ^{2&3} /Ø196.9"	30 3000K 35 3500K 40 4000K 50 5000K	90 90Ra	1 120V-277V
		8. Installation	9. Control	10. Frame Finish	11. Acoustic Finish	
		ACPMK⁴ Central Canopy Aircraft Cable Suspended ⁴ DPMK⁴ Direct Aircraft Cable Suspended ⁴ SMK⁴ Surface Mounted ⁴	BLANK 0-10V Dimming	WH⁵ White ⁵ BK⁵ Black ⁵	BLANK No Acoustic Acoustic Color Code⁶ <i>Specify from the following table⁶</i>	

NOTE:

1. If choose acoustic, please choose the acoustic color in the following list.
2. Acoustic is not available for 150W, 200W, 300W, 400W and 480W.
3. 150W, 200W, 300W, 400W and 480W are shipped in sections and need to be installed in the field.
4. Central canopy pendant is standard for 65W/80W/120W/135W. Direct suspended is standard for 150W/200W/300W/400W, 480W. Surface mounted is standard for 65W/80W/120W/135W/150W. Please contact Customer Service for special requirements.
5. White and black finish is standard. Custom finish colors are available at an additional charge. Please contact Customer Service for premium options.
6. There will be slight differences between the color of the acoustic image and the actual fabric because of computer display defects. The standard acoustic colors include: NSAC-021 130, NSAC-042 146, NSAC-028 110, NSAC-002 122, NSAC-033 103. Other acoustic colors might be available for an additional fee. Please check with Customer Service for more information.

Acoustic Colors⁶



PERFORMANCE DATA

Lumen values are measured by third party certified laboratories performed in accordance with IESNA LM-79-08 as well as Lighting Facts listed.

Wattage	Lumen Output	CCT	CRI	LPW
65W	4480lm	4000K	90	70
80W	5600lm	4000K	90	70
120W	8400lm	4000K	90	70
135W	9100lm	4000K	90	70
150W	10500lm	4000K	90	70
200W	14000lm	4000K	90	70
300W	21000lm	4000K	90	70
400W	28000lm	4000K	90	70
480W	33600lm	4000K	90	70

NOTE:

1. The lumen output is for the fixture without acoustic. The data for acoustic may vary based on different acoustic fiber colors. Please contact Customer Service if need the lumen output for acoustic version.
2. Lumen outputs for 150W, 200W, 300W, 400W and 480W are calculated.

WARRANTY

5 year limited warranty.

Specifications subject to change without notice.