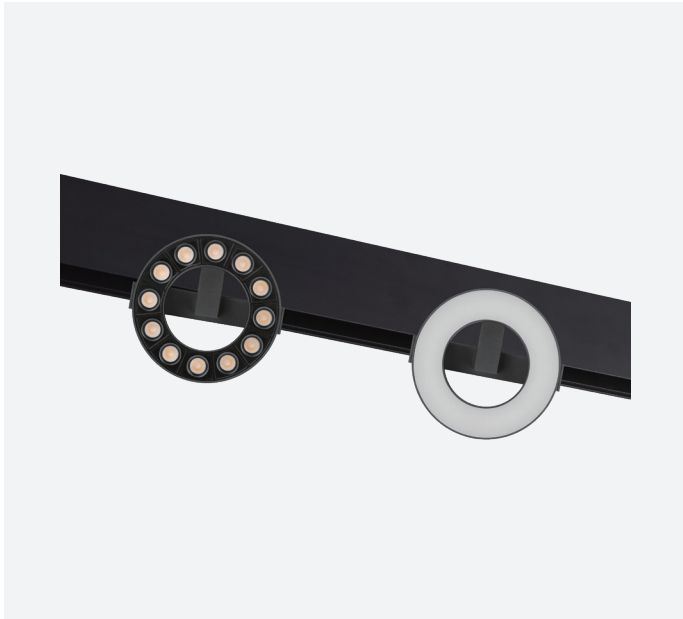


STRAIGHT MAGNETIC TRACK LIGHT

Adjustable Ring



With Spot Lens



With Diffused Lens



90 degree foldable and elegant circle design. Three different anti-glare spot lens and diffused glare lens to achieve multiple light beams.

TECHNICAL DATA

Wattage	12W, 18W
Input Voltage	24VDC
Lens	20°, 34°, 48°, Diffused
CCT	2700K, 3000K, 3500K, 4000K
CRI	90Ra
Driver	Triac, 0/1-10V
Certifications	cETL Listed RoHS compliant
Installation	Magnetic
Environment	Indoor

ORDERING INFORMATION

EXAMPLE: ADJR18-3090-24V-34-MTM-BK

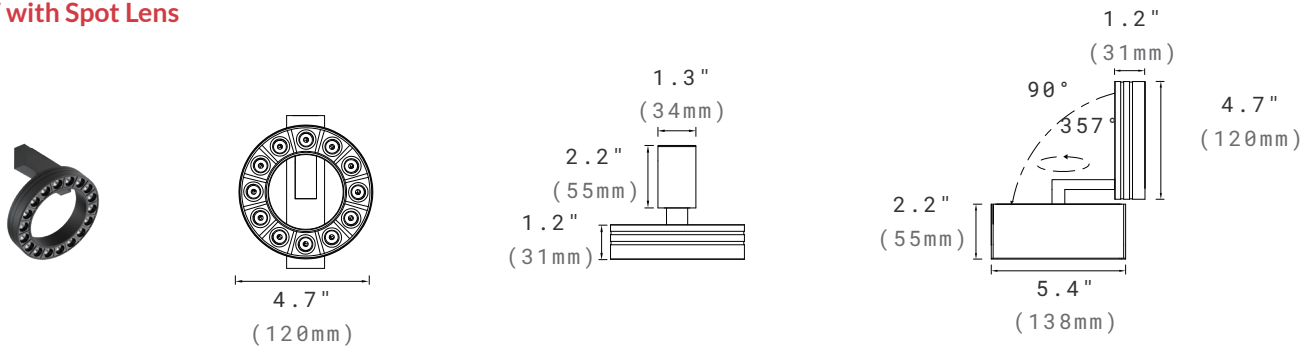
ADJR Series	Wattage	CCT&CRI	Voltage	Lens	Installation	Finish
ADJR	12 12W	2790 2700K/90Ra	24V ¹ 24VDC ¹	20 20 degree	MTM Magnetic Track Mount	BK ² Black ²
	18 18W	3090 3000K/90Ra		34 34 degree		WH ² White ²
		3590 3500K/90Ra		48 48 degree		
		4090 4000K/90Ra		DL Diffused Lens		

NOTE:

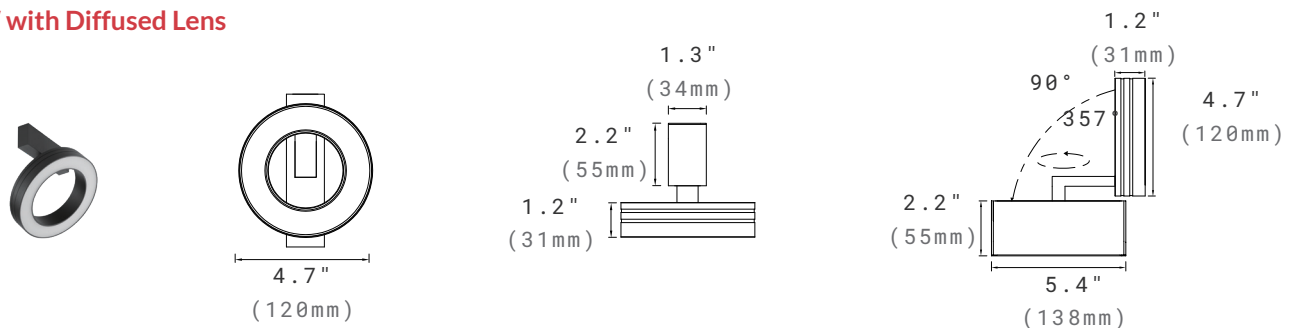
1. The fixture is used for 24V magnetic track system.
2. Black and white finish is standard. Custom finish colors are available at an additional charge. Please contact Customer Service for premium options.

DIMENSION

12W with Spot Lens



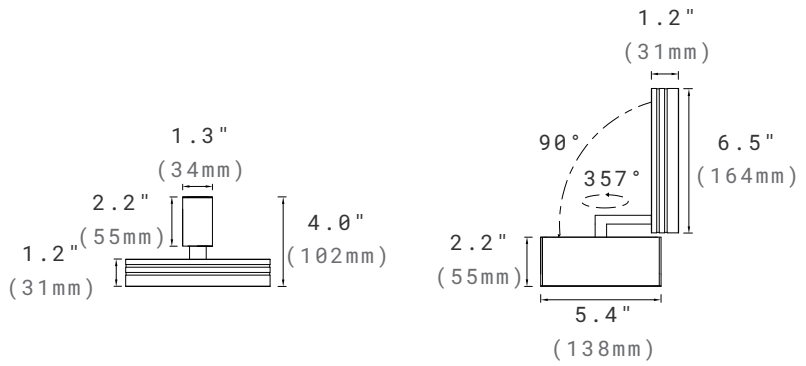
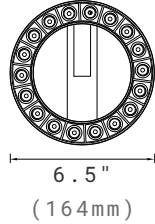
12W with Diffused Lens



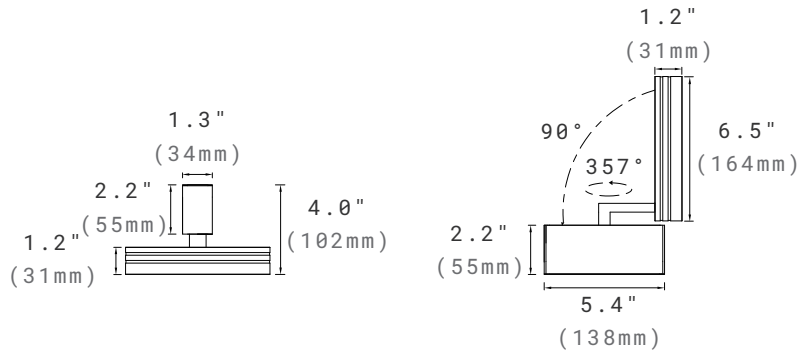
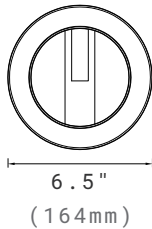
STRAIGHT MAGNETIC TRACK LIGHT

Adjustable Ring

18W with Spot Lens



18W with Diffused Lens



PERFORMANCE DATA

Lumen values are measured by third party certified laboratories performed in accordance with IESNA LM-79-08 as well as Lighting Facts listed.

Wattage	Lens	Lumen Output	CRI	CCT	LPW
12W	20°/34°/48°	1150lm	90	3000K	95
12W	Diffused	650lm	90	3000K	54
18W	20°/34°/48°	1750lm	90	3000K	97
18W	Diffused	950lm	90	3000K	53

WARRANTY

5 years limited warranty.

Specifications subject to change without notice.