



The COPL Column LED Light has elegant, slim and column design. It brings architectural style to any area or site, impacting pedestrian-scale for improved comfort and security. High quality aluminum body, polycarbonate shade, moulded silicone gasket and stainless steel screws. This pole light is an excellent choice for walkways, entrances, promenades, plazas, courtyards, driveways, bridges, and landscaped areas.

TECHNICAL DATA

Wattage	30W, 45W, 60W
CCT	3000K, 4000K
Driver	Non-Dimming (standard) 0-10V Dimming (optional)
CRI	70 (standard) 80 (optional)
Input Voltage	120-277V, 50/60Hz
Projected Lifetime	L70-100,000 Hours
Operating Temp.	-22°F to 104°F (-30°C to 40°C)
Certifications	cETL Listed RoHS compliant 3000K CCT and dimming control being DarkSky Approved.
Power Factor	>0.9
Harmonic Distortion	<20% at full load
IP Rating	IP65
EPA (pole is not included)	1.68ft ²
Wind Load	Poles are rated for 180 mph.

Notes:

1. The wind speed datas are based on allowable design wind speed (VASD).
2. Rated performance is dependant upon the pole being properly attached to a supporting foundation of adequate design.

PERFORMANCE DATA

Lumen values are measured by third party certified laboratories performed in accordance with IESNALM-79-08 as well as Lighting Facts listed.

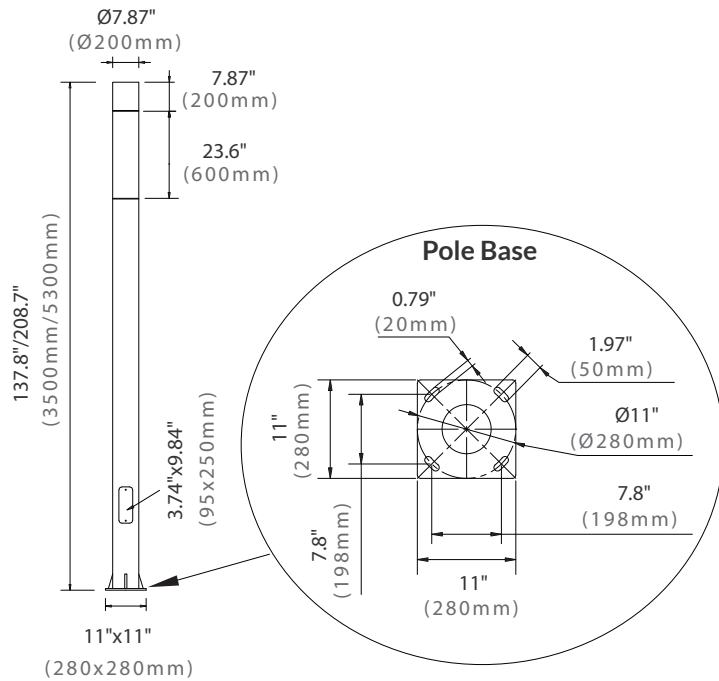
WATTAGE	LUMENS (lm)	CCT	CRI
30W	3400lm	4000K	70
45W	4880lm	4000K	70
60W	5700lm	4000K	70

DIMENSION

Projection Detail (Not to Scale)

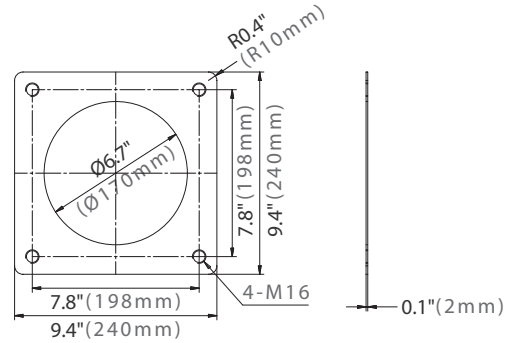
Over View

Pole Wall Thickness: 0.118" (3mm)



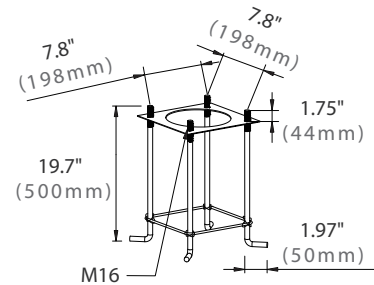
Anchor Bolt Plate

Use caution when setting anchor bolts. Bolts must be vertically straight and centered on dimensions shown.



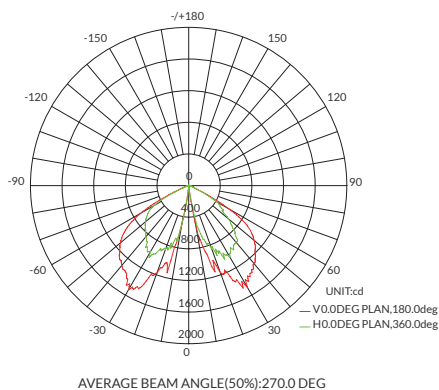
Note: Adequate drainage must be provided in concrete foundation.

Anchor Bolt Detail



PHOTOMETRY

All published luminaire photometric testing performed to IESNA LM-79-08 standards by a NVLAP certified laboratory. IESNA LM-79-08 specifies the entire luminaire as the source resulting in a fixture efficiency of 100%. Result may vary per actual order.



ORDERING INFORMATION

Standard Model

EXAMPLE: COPL-30301-BK

COPL						
Name	Wattage	CCT	Voltage	Distribution	Finish	Options
COPL	30 30W 45 45W 60 60W	30 3000K 40 4000K	1 120-277V	Blank Type V ¹	BK ² Black RAL#9005 BZ ² Bronze RAL#8019	Blank None D 0-10V Dimming Driver

NOTE:

- Type V is standard. Please contact Customer Service for type I/II/III/IV.
 - Black and bronze are standard. Custom finish colors are available at an additional charge. Please contact Customer Service for premium options.
- * The pole and anchor bolts need to be bought separately.

DarkSky-Approved Model

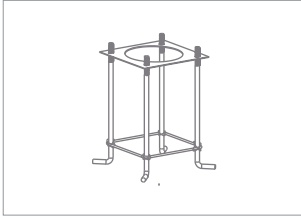
EXAMPLE: COPL-30301-BK-D

COPL						
Name	Wattage	CCT	Voltage	Distribution	Finish	Options
COPL	30 30W	30 3000K	1 120-277V	Blank Type V	BK ¹ Black RAL#9005 BZ ¹ Bronze RAL#8019	D 0-10V Dimming Driver

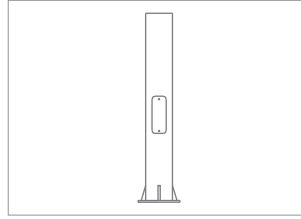
NOTE:

- Black and bronze are standard. Custom finish colors are available at an additional charge. Please contact Customer Service for premium options.
- * The pole and anchor bolts need to be bought separately.

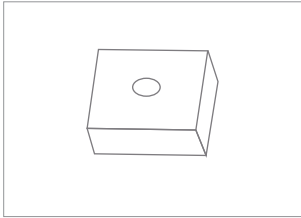
ACCESSORIES(ORDERED SEPARATELY)



ABMK-M16-7.8
 Galvanized Anchor bolts mounting kits for round pole up to 18FT. Mounting hole 7.8"x7.8", M16x19.7"(500mm)



COPL-2.7POLE-BK
 8.86ft (2.7m) aluminum Pole, Wall Thickness: 0.118" (3mm), black.



COPL-PBC-BK
 Pole Base Cover, Black.

COPL-4.5POLE-BK
 14.76ft (4.5m) aluminum Pole, Wall Thickness: 0.118" (3mm), black.

** The length is for pole only not including the top luminaire.
 * Pole length and finish color can be customized.*

BUG RATING TABLE

Performed to IESNA LM-79-08 standards by a NVLAP accredited laboratory.

Model	BUG Rating
COPL-30301	B2-U0-G1

WARRANTY

5 year limited warranty.

Specifications subject to change without notice.