



The Cone LED Post Top is supplied with a cast aluminum roof which includes optimized heat sinks, maximizing the life and performance of the LED light sources. Optical design, greatly improves the light efficiency and uniformity. It can be widely used for outdoor lighting applications such as landscape, courtyards, roadways.

TECHNICAL DATA

Wattage	60W, 100W
CRI	70-Standard
	80-Optional
CCT	3000K, 4000K, 5000K
Input Voltage	120-277VAC, 50/60Hz
Operating Temp.	-22°F to 104°F (-30°C to 40°C)
Driver	1-10V dimming
Certifications	cUL Listed
	RoHS compliant
Power Factor	>0.87 at full load
Harmonic Distortion	<20% at full load
Projected Lifetime	L70 - 100,000 Hours
IP Rating	IP65
Surge Protection	Integral 10KA

FEATURES

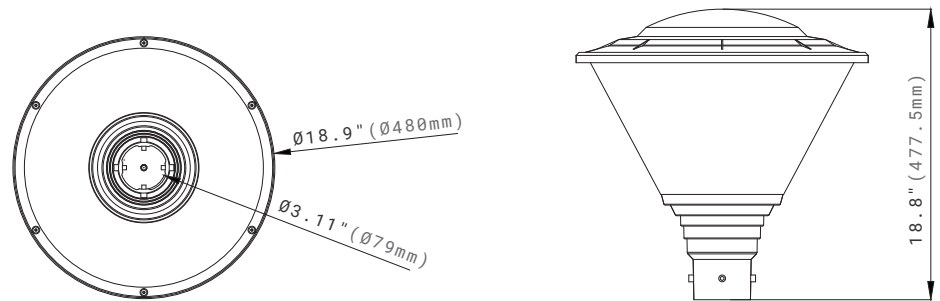
- **High Efficiency:** Up to 140 LPW for superior energy savings.
- **Optical Quality:** No shadows from brackets and improved light uniformity.
- **Smart Control Ready:** Optional microwave motion sensor with dimming and remote control settings.

SPECIFICATION

Effective Projected Area (EPA): 2.3ft²

Net Weight for 60W: 12.4lbs

Net Weight for 100 W: 14.2lbs



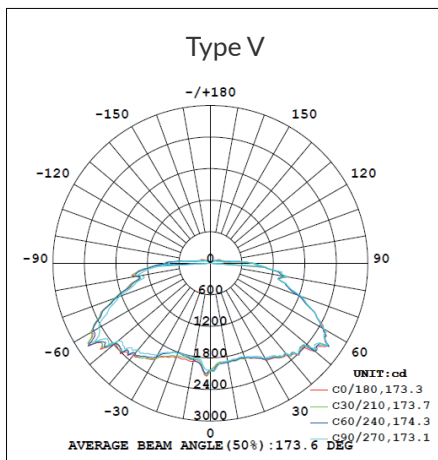
PERFORMANCE DATA

Lumen values are measured by third party certified laboratories performed in accordance with IESNA LM-79-08 as well as Lighting Facts listed.

Nominal Wattage	Measured Wattage	Lumen Output	CCT	Distribution Type	CRI	LPW
60W	57W	8000lm	5000K	Type V	>70	140
100W	97W	13200lm	5000K	Type V	>70	136

PHOTOMETRY

All published luminaire photometric testing performed to IESNA LM-79-08 standards by a NVLAP certified laboratory. IESNA LM-79-08 specifies the entire luminaire as the source resulting in a fixture efficiency of 100%. Results may vary per actual order.



ORDERING INFORMATION

EXAMPLE: CPT60401-V-BK

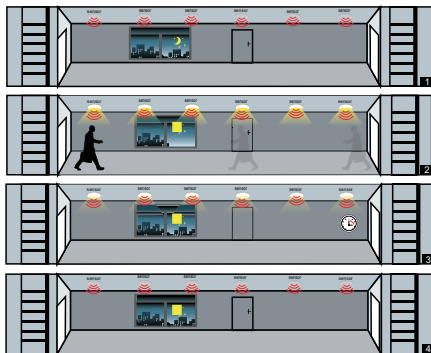
CPT							
Series	Wattage	CCT	Voltage	Control	Installation	Distribution	Finish
CPT	60 60W 100 100W	30 3000K 40 4000K 50 5000K	1 120-277V	BLANK 1-10V dimming MSW Microwave Motion Sensor ¹	BLANK 2 3/8" to 3" Tenon Pole	V Type V	BK Black ² RAL#9004 BZ Bronze ² RAL#8040

NOTE:

- Motion Sensor is for 120-277V only and recommended for a maximum mounting height of 20ft (6m). Default "stand-by" dimming level is 30% and none Cut Off. Besides, daylight sensor default setting is disable. The RC-100 Remote Control can operate all sensor functions. Please refer to more sensor setting details on the next page.
- Black and Bronze finish is standard. Additional charges will apply for all the other colors. Please contact customer service for premium adder.

PIR DIMMING SENSOR FUNCTION

The sensor is an innovative motion sensor, switch on the light on detection of movement, and switch off after a hold time when there is no motion detected.



- No motion detected, all lamps switch off.
- Any movement is detected from any direction, all lamps synchronously switch on.
- No motion is detected in detection area, all lamps synchronously dim to a low light level after hold time.
- After stand-by period, the lamps switch off if no movement is detected in the detection zone.

NOTE:

- If you choose STAND-BY DIM is 0, the stand-by period is 0, it is ON/OFF function.

PIR DIMMING SENSOR SETTING DBI810-B-M10 (120-277V)

By selecting the combination on the DIP switch, sensor data can be precisely set for each specific application.

The sensor setting also can be done by a remote control (RC-100) which need to be bought separately.

	1	2	
I	↓	↓	20%
II	↓	↑	50%
III	↑	↓	75%
IV	↑	↑	100%

Sensitivity

Sensitivity can be reduced by selecting the combination on the DIP switches to fit precisely each application.


Default Setting: 100%

	3	4	
I	↓	↓	10s
II	↓	↑	1min
III	↑	↓	5mins
IV	↑	↑	15mins

Hold time

Refers to the time period the lamp remains at 100% illumination after no motion detected.

Default Setting: 5 mins

	5	6	
I	↓	↓	
II	↓	↑	10 lux
III	↑	↓	30 lux
IV	↑	↑	50 lux

Daylight sensor

The sensor can be set to only allow the lamp to illuminate below a defined ambient brightness threshold.

Default Setting: Disable 

	7	8	
I	↓	↓	0%
II	↓	↑	10%
III	↑	↓	30%
IV	↑	↑	50%

Stand-by dimming level

The low light level you would like to have after the hold time in the long absence of people.

Default Setting: 30%

	9	10	
I	↓	↓	+∞
II	↓	↑	1min
III	↑	↓	30mins
IV	↑	↑	60mins

Stand-by time

Refers to the time period the lamp remains at a low light level before it completely switches off in the long absence of people. When set to " +∞ " mode, the low light is maintained until motion is detected.

Default Setting: +∞

BUG RATING TABLE

Performed to IESNA LM-79-08 standards by a NVLAP accredited laboratory.

Model	BUG Rating
CPT60401-V	B3-U3-G3
CPT60501-V	B3-U3-G3
CPT100401-V	B3-U4-G4
CPT100501-V	B3-U3-G4

WARRANTY

5 years limited warranty.

Specifications subject to change without notice.

Ref#: 20260427