

# CURVE MAGNETIC TRACK LIGHT

## Glowball



Our Curve Glowball Series Magnetic Track Light is designed for decorative and general lighting. The diffuse spherical glass lens yields a smooth uniform light output, and the fixture is available as both a pendant or surface mounted to our 24V magnetic track system.

### TECHNICAL DATA

<b>Wattage</b>	5W
<b>Input Voltage</b>	24VDC
<b>Lens</b>	Diffused
<b>CCT</b>	2700K, 3000K, 3500K, 4000K
<b>CRI</b>	90
<b>Driver</b>	Triac, 0/1-10V
<b>Certifications</b>	cETL Listed RoHS compliant
<b>Installation</b>	Magnetic
<b>Environment</b>	Indoor

**NOTE:**

Curve Magnetic Track Profile sold separately.

### ORDERING INFORMATION

EXAMPLE: CGBL05-3090-24V-SM-BK

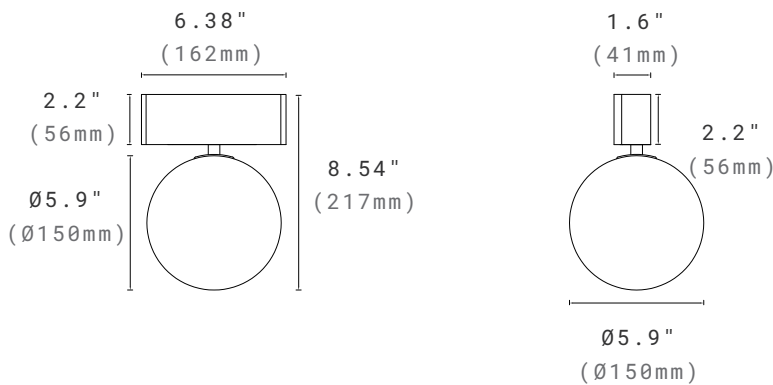
CGBL Series	Wattage	CCT&CRI	Voltage	Lens	Installation	Finish
CGBL	05 5W	2790 2700K/90Ra 3090 3000K/90Ra 3590 3500K/90Ra 4090 4000K/90Ra	24V <sup>1</sup> 24VDC <sup>1</sup>	BLANK Diffused	SM Surface Magnetic Track Mount	BK <sup>2</sup> Black <sup>2</sup> WH <sup>2</sup> White <sup>2</sup>

**NOTE:**

1. The fixture is used for 24V magnetic track system.
2. Black and white finish is standard. Custom finish colors are available at an additional charge. Please contact Customer Service for premium options.

### DIMENSION

**5W**

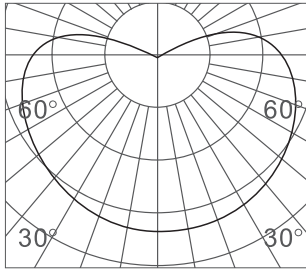


## PHOTOMETRY

All published luminaire photometric testing performed to IESNA LM-79-08 standards by a NVLAP certified laboratory. IESNA LM-79-08 specifies the entire luminaire as the source resulting in a fixture efficiency of 100%. Results may vary per actual order.

2700K 80Ra

**Diffuse**



h(m)	E(lx)	Φ(m)
1	24	Φ2
2	6	Φ4
3	2	Φ6
4	1	Φ8
5	0.9	Φ10

## PERFORMANCE DATA

Lumen values are measured by third party certified laboratories performed in accordance with IESNA LM-79-08 as well as Lighting Facts listed.

Wattage	Lens	Lumen Output	CRI	CCT	LPW
5W	Diffused	350lm	90	3000K	70

## WARRANTY

5 years limited warranty.

Specifications subject to change without notice.