

CURVE MAGNETIC TRACK LIGHT

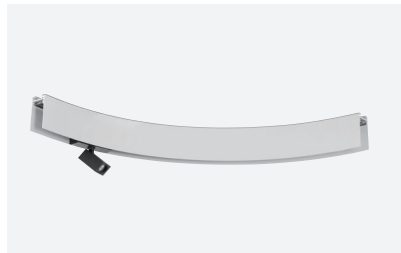
Square Spot



Square shape with three different beam angles. The junction arm is integrated in the Spots body, keeping the body centered on the track while allowing for 360° rotation along the horizontal plane and 90° rotation along the vertical plane.

TECHNICAL DATA

Wattage	10W
Input Voltage	24VDC
Beam Angle	18°, 24°, 36°
CCT	2700K, 3000K, 3500K, 4000K
CRI	90
Driver	Triac, 0/1-10V
Certifications	cETL Listed RoHS compliant
Installation	Magnetic
Environment	Indoor



NOTE:

Curve Magnetic Track Profile sold separately.

ORDERING INFORMATION

EXAMPLE: CSQ10-3090-24V-24-MTM-BK

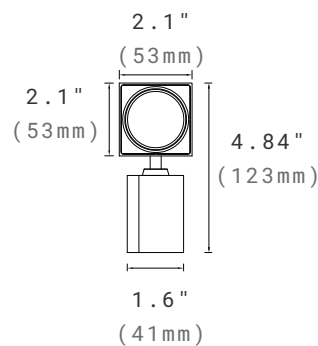
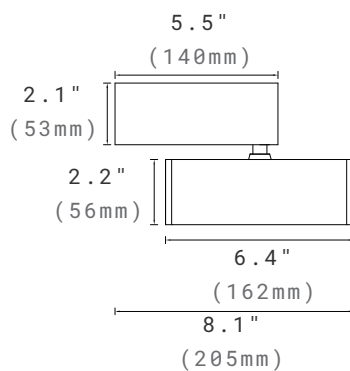
CSQ Series	Wattage	CCT&CRI	Voltage	Beam Angle	Installation	Finish
CSQ	10 10W	2790 2700K/90Ra 3090 3000K/90Ra 3590 3500K/90Ra 4090 4000K/90Ra	24V ¹ 24VDC ¹	18 18 degree 24 24 degree 36 36 degree	MTM Magnetic Track Mount	BK ² Black ² WH ² White ²

NOTE:

1. The fixture is used for 24V magnetic track system.
2. Black and white finish is standard. Custom finish colors are available at an additional charge. Please contact Customer Service for premium options.

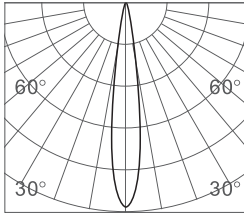
DIMENSION

10W

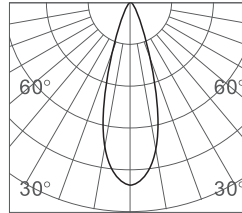


PHOTOMETRY

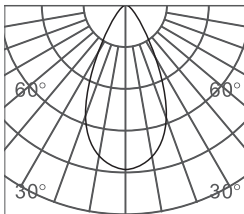
All published luminaire photometric testing performed to IESNA LM-79-08 standards by a NVLAP certified laboratory. IESNA LM-79-08 specifies the entire luminaire as the source resulting in a fixture efficiency of 100%. Results may vary per actual order.

18°


h(m)	E(lx)	Φ(m)
1	3011	Φ0.32
2	752	Φ0.64
3	334	Φ0.97
4	188	Φ1.29
5	120	Φ1.62

24°


h(m)	E(lx)	Φ(m)
1	3857	Φ0.40
2	964	Φ0.81
3	428	Φ1.22
4	241	Φ1.62
5	154	Φ2.03

36°


h(m)	E(lx)	Φ(m)
1	2154	Φ0.64
2	538	Φ1.28
3	239	Φ1.92
4	134	Φ2.56
5	86	Φ3.21

PERFORMANCE DATA

Lumen values are measured by third party certified laboratories performed in accordance with IESNA LM-79-08 as well as Lighting Facts listed.

Wattage	Beam Angle	Lumen Output	CRI	CCT	LPW
10W	18°/24°/36°	725lm	90	3000K	72

WARRANTY

5 year limited warranty.

Specifications subject to change without notice.