

The DSWP is a versatile, high-performance outdoor lighting solution engineered for functionality and efficiency. It features static 2700K, 3000K and field-selectable CCT; adjustable beam angles; and selectable wattage, delivering 3,300lm to 22,500lm for diverse applications. Built for durability with smart control compatibility, the DSWP ensures a reliable, future-ready solution for modern outdoor environments.

TECHNICAL DATA

Wattage	Selectable 25W/30W/40W
	Selectable 40W/50W/60W
	Selectable 60W/80W/100W
	Selectable 90W/120W/150W
CCT	Selectable 3000K/4000K/5000K
	Static 2700K, 3000K
CRI	80
Driver	0-10V Dimming
Input Voltage	120-347V
Projected Lifetime	L70-54,000 hours
Operating Temp.	-40°C to 45°C (-40°F to 113°F)
EBU(standard)	0°C to 35°C (32°F to 95°F)
EBU(optional)	-20°C to 35°C (-4°F to 95°F)
Certifications	UL/cUL listed
	DarkSky Approved for CCT of 3000K and below
Power Factor	>0.9 at full load
Harmonic Distortion	<20% at full load
IP Rating	IP65
IK Rating	IK10

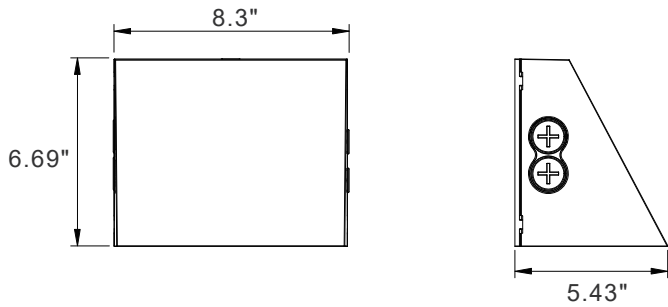
FEATURES

- **Adjustable & Customizable:** Selectable CCT, selectable wattage, and selectable light distribution.
- **Smart Compatibility:** Includes photocell and 0-10V dimming for enhanced control.
- **Optional Add-Ons:** Expand functionality with sensors or emergency backup.

DIMENSION

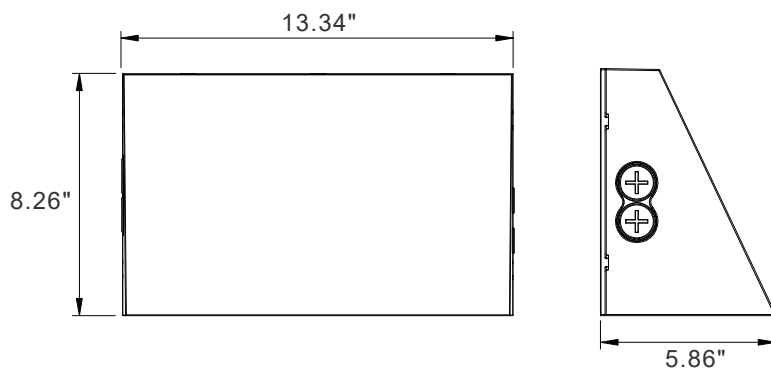
9 inch

Selectable 25W/30W/40W



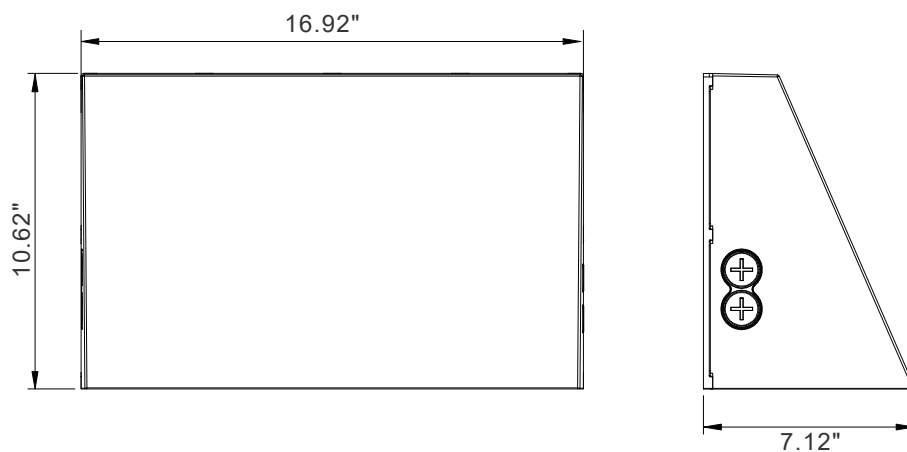
14 inch

Selectable 40W/50W/60W & Selectable 60W/80W/100W



17 inch

Selectable 90W/120W/150W



ORDERING INFORMATION

Standard Model

EXAMPLE: DSWP-40SP-SW8-SD-BK

DSWP						
Series	Wattage	CCT	Voltage	Control	Distribution	Finish
DSWP	40SP Selectable ¹ 25W 30W 40W	SW Selectable ² 3000K 4000K 5000K	8 120-347V	BLANK Photocell and Sensor Receptacle ³ EBU Emergency Battery Backup for 32°F to 95°F (0°C to 35°C) working temp.	SD Selectable ⁴ T2 Close wash T3 Mid reach T4 Far throw	BK Black ⁵
	60SP Selectable ¹ 40W 50W 60W					
DSWP	100SP Selectable ¹ 60W 80W 100W	27 2700K	1 120-277V	EBU1 Emergency Battery Backup for -4°F to 95°F (-20°C to 35°C) working temp.	SD Selectable ⁴ T2 Close wash T3 Mid reach T4 Far throw	BK Black ⁵
	150SP Selectable ¹ 90W 120W 150W					

NOTE:

1. The highest wattage is the default setting.
2. 3000K is the default setting. For DarkSky-Approved product, please specify from the following table.
3. Button photocell is the standard configuration. The default setting is OFF. The photocell can be turned ON by the DIP switch on the fixture. Sensor receptacle is pre-installed. The microwave motion sensor is ordered separately and field installed.
4. Type 4 is the default setting. Type 3 and Type 2 can be set by the DIP switch on the fixture.
5. Black is the standard finish. Custom colors are available at an additional charge.

ORDERING INFORMATION

DarkSky-Approved Model

EXAMPLE: DSWP-40SP-308-SD-BK

DSWP						
Series	Wattage	CCT	Voltage	Control	Distribution	Finish
DSWP	40SP Selectable ¹ 25W 30W 40W	27 2700K 30 3000K ²	8 120-347V	BLANK Photocell and Sensor Receptacle ³ EBU Emergency Battery Backup for 32°F to 95°F (0°C to 35°C) working temp.	SD Selectable ⁴ T2 Close wash T3 Mid reach T4 Far throw	BK Black ⁵
	100SP Selectable ¹ 60W 80W 100W		1 120-277V	EBU1 Emergency Battery Backup for -4°F to 95°F (-20°C to 35°C) working temp.		

NOTE:

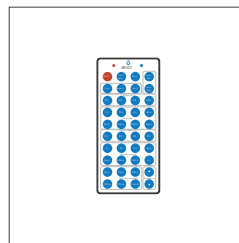
1. The highest wattage is the default setting.
2. DarkSky is available for 3000K and below.
3. Button photocell is the standard configuration. The default setting is OFF. The photocell can be turned ON by the DIP switch on the fixture. Sensor receptacle is pre-installed. The microwave motion sensor is ordered separately and field installed.
4. Type 4 is the default setting. Type 3 and Type 2 can be set by the DIP switch on the fixture.
5. Black is the standard finish. Custom colors are available at an additional charge.

ACCESSORIES



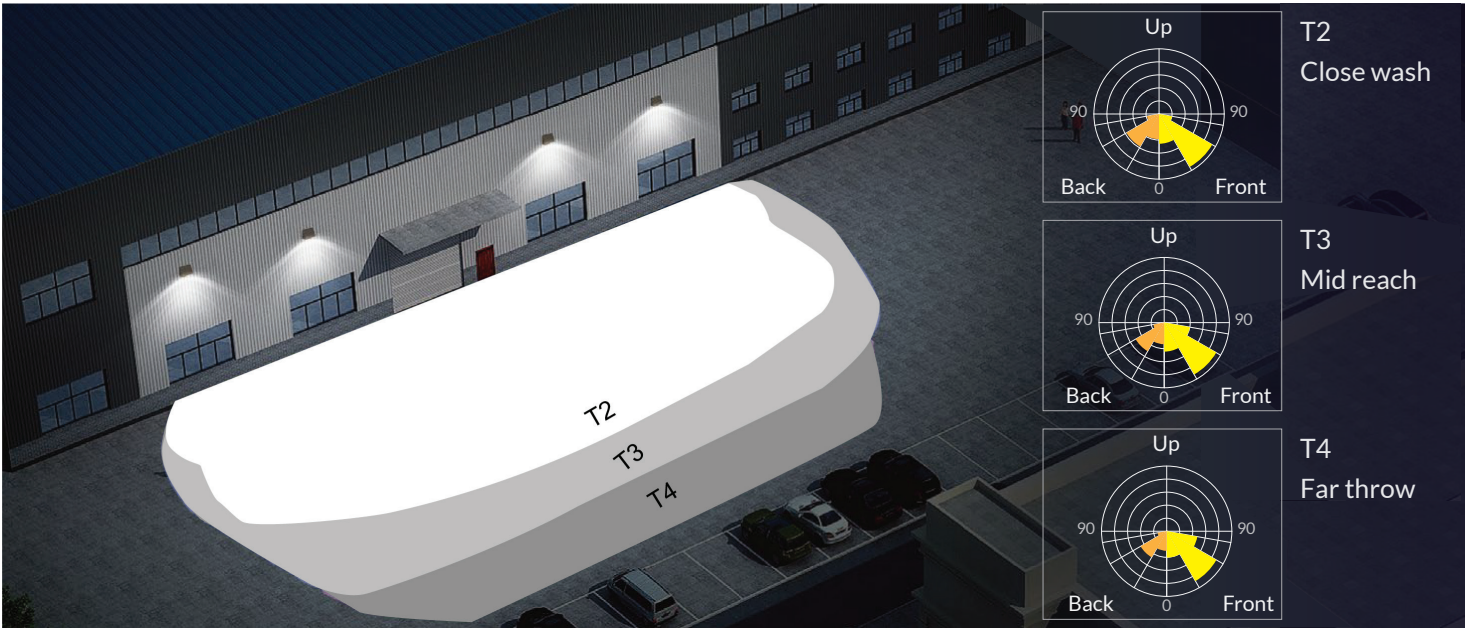
MS033C-H (with Type C Sensor Connection Bracket)

Microwave Motion Sensor with Type C Sensor Connection Bracket. **Sensor is white, bracket is black.**



MR003

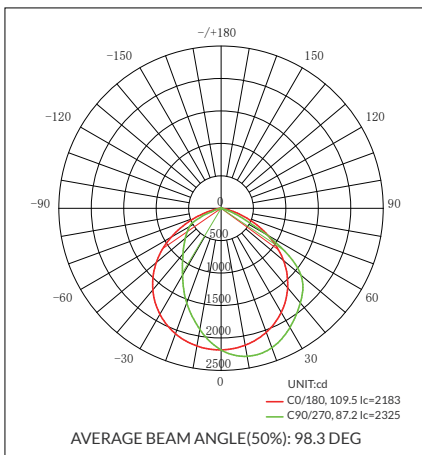
Remote Control for Sensor.



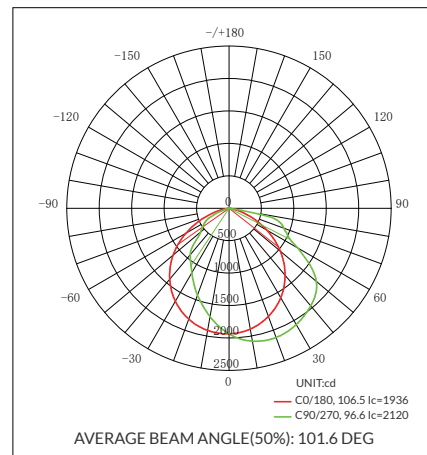
PHOTOMETRY

All published luminaire photometric testing performed to IESNA LM-79-08 standards by a NVLAP certified laboratory. IESNA LM-79-08 specifies the entire luminaire as the source resulting in a fixture efficiency of 100%. Result may vary per actual order.

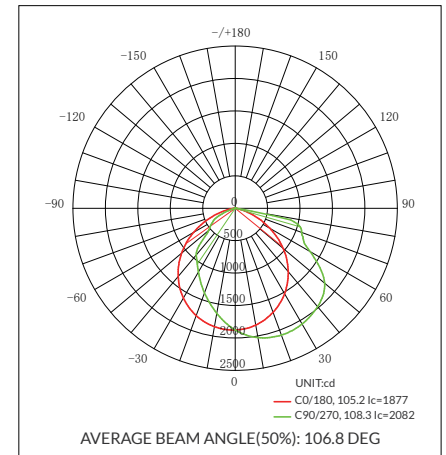
Selectable 25W/30W/40W - 3000K
40W - T2 Close wash



Selectable 25W/30W/40W - 3000K
40W - T3 Mid reach



Selectable 25W/30W/40W - 3000K
40W - T4 Far throw



PERFORMANCE DATA

Lumen values are measured by third party certified laboratories performed in accordance with IESNA LM-79-08 as well as Lighting Facts listed.

MODEL	WATTAGE	LIGHT DISTRIBUTION	CCT	LUMENS (lm)	CRI	Efficacy (lm/W)
Selectable 25W/30W/40W	25W	T2	3000K	3400 lm	80	139lm/W
	25W	T3	3000K	3300 lm	80	135lm/W
	25W	T4	3000K	3200 lm	80	131 lm/W
	30W	T2	3000K	4000 lm	80	136 lm/W
	30W	T3	3000K	4000lm	80	134 lm/W
	30W	T4	3000K	3800 lm	80	129 lm/W
	40W	T2	3000K	5200 lm	80	131lm/W
	40W	T3	3000K	5100 lm	80	128lm/W
	40W	T4	3000K	5000 lm	80	124 lm/W
Selectable 40W/50W/60W	40W	T2	3000K	5500 lm	80	143lm/W
	40W	T3	3000K	5500 lm	80	142 lm/W
	40W	T4	3000K	5400 lm	80	136 lm/W
	50W	T2	3000K	6800 lm	80	140 lm/W
	50W	T3	3000K	6700 lm	80	140 lm/W
	50W	T4	3000K	6500 lm	80	134 lm/W
	60W	T2	3000K	8300 lm	80	138 lm/W
	60W	T3	3000K	8100lm	80	136lm/W
	60W	T4	3000K	7900 lm	80	130 lm/W
Selectable 60W/80W/100W	60W	T2	3000K	8300 lm	80	140 lm/W
	60W	T3	3000K	8300 lm	80	142 lm/W
	60W	T4	3000K	8200 lm	80	137 lm/W
	80W	T2	3000K	10700 lm	80	127 lm/W
	80W	T3	3000K	10700 lm	80	134 lm/W
	80W	T4	3000K	10500 lm	80	126 lm/W
	100W	T2	3000K	12700 lm	80	127lm/W
	100W	T3	3000K	13400 lm	80	134 lm/W
	100W	T4	3000K	12600 lm	80	126lm/W
Selectable 90W/120W/150W	90W	T2	3000K	15000 lm	80	168lm/W
	90W	T3	3000K	15000 lm	80	168lm/W
	90W	T4	3000K	14500 lm	80	157lm/W
	120W	T2	3000K	19900lm	80	162 lm/W
	120W	T3	3000K	19000 lm	80	159 lm/W
	120W	T4	3000K	18600 lm	80	152 lm/W
	150W	T2	3000K	23000 lm	80	157 lm/W
	150W	T3	3000K	22500lm	80	155 lm/W
	150W	T4	3000K	22000 lm	80	147 lm/W

BUG RATING TABLE

Performed to IESNA LM-79-08 standards by a NVLAP accredited laboratory.

MODEL	WATTAGE	LIGHT		
		DISTRIBUTION	BUG RATING	CCT
Selectable 25W/30W/40W	25W	T2	B2-U0-G1	3000K
	25W	T3	B1-U1-G1	3000K
	25W	T4	B1-U1-G1	3000K
	30W	T2	B2-U0-G1	3000K
	30W	T3	B2-U1-G1	3000K
	30W	T4	B1-U1-G1	3000K
	40W	T2	B2-U0-G1	3000K
	40W	T3	B2-U1-G1	3000K
	40W	T4	B2-U1-G1	3000K
Selectable 40W/50W/60W	40W	T2	B2-U0-G1	3000K
	40W	T3	B2-U1-G1	3000K
	40W	T4	B2-U1-G1	3000K
	50W	T2	B2-U1-G1	3000K
	50W	T3	B2-U1-G1	3000K
	50W	T4	B2-U1-G1	3000K
	60W	T2	B3-U1-G2	3000K
	60W	T3	B3-U1-G1	3000K
	60W	T4	B2-U2-G1	3000K
Selectable 60W/80W/100W	60W	T2	B3-U1-G2	3000K
	60W	T3	B3-U1-G1	3000K
	60W	T4	B2-U2-G1	3000K
	80W	T2	B3-U1-G2	3000K
	80W	T3	B3-U2-G2	3000K
	80W	T4	B3-U2-G1	3000K
	100W	T2	B3-U0-G2	3000K
	100W	T3	B3-U2-G2	3000K
	100W	T4	B3-U2-G2	3000K
Selectable 90W/120W/150W	90W	T2	B3-U1-G2	3000K
	90W	T3	B3-U2-G2	3000K
	90W	T4	B2-U2-G2	3000K
	120W	T2	B4-U1-G3	3000K
	120W	T3	B3-U2-G2	3000K
	120W	T4	B3-U4-G2	3000K
	150W	T2	B4-U1-G3	3000K
	150W	T3	B4-U4-G3	3000K
	150W	T4	B4-U4-G2	3000K

SENSOR TECHNICAL DATA (MS033C-H)

Input	Operating voltage	11-15V DC	
	Operating current	≤22mA	
Output	Output	0-10V	
Sensor Parameters	Microwave frequency	5.8GHz±75MHz	
	Microwave power	<0.3mW	
	Sensitivity	100%/75%/50%/25%	Refer to Remote Controller MR003
	Hold time	3s/30s/90s/3min/5min/15min /20min/30min	
	Daylight threshold	300Lux/100Lux/50Lux/15Lux /5Lux/Disable	
	Stand-by period	0s/5s/30s/3min/5min/15min /45min/+∞	
	Stand-by dimming level	10%/20%/30%/50%	
	Mounting height	Max. 56ft (17m) (Ceiling mounted)	
	Detection range	Max. Radius 20ft (6m) (Ceiling mounted 17m)	
	Detection Angle	30°-150°	
	Operating temperature	-31°F -158°F (-35°C~70°C)	
	IP rating	IP65	
	Warranty	5 years	
Default Setting	Sensitivity 100%, Hold time 3min, Stand-by Dimming Level 30%, Daylight threshold 50Lux, Stand-by period +∞.		

WARRANTY

Five year limited warranty.

Specifications subject to change without notice.