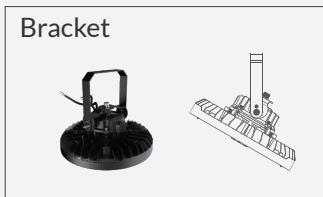
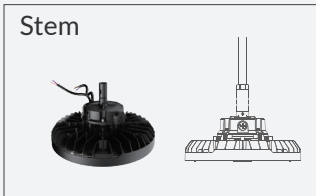
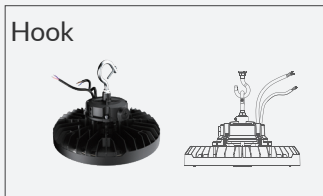




The HBG7 UFO is a versatile and durable LED high bay light designed for industrial and commercial spaces. Built to withstand harsh environments, it offers selectable wattage and color temperature to suit various lighting needs. With high efficiency, robust construction, and easy installation, it provides reliable illumination for warehouses, factories, and large facilities.

TECHNICAL DATA

Wattage	selectable 100W/120W/150W selectable 150W/200W/240W
CCT	selectable 3000K/4000K/5000K
CRI	80
Dimming	1-10V dimming (10% - 100%)
Input Voltage	120-277V/347-480V
Projected Lifetime	L70-54,000 hours
Operating Temperature	-40°C to 40°C (-4°F to 104°F)
Certifications	ETL Listed
Power Factor	>0.9 at full load
Harmonic Distortion	<20% at full load
IP Rating	65
IK Rating	08(lens)

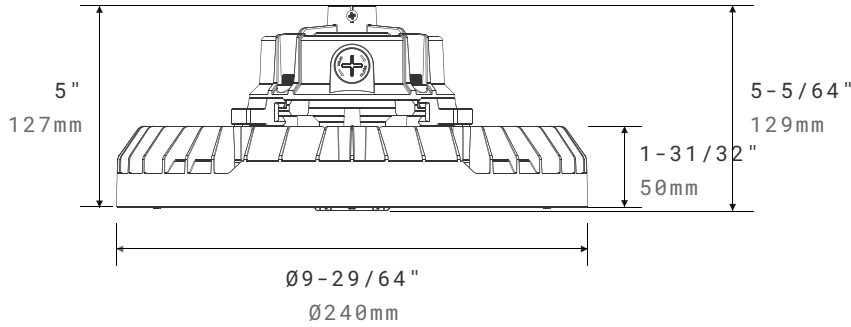


FEATURES

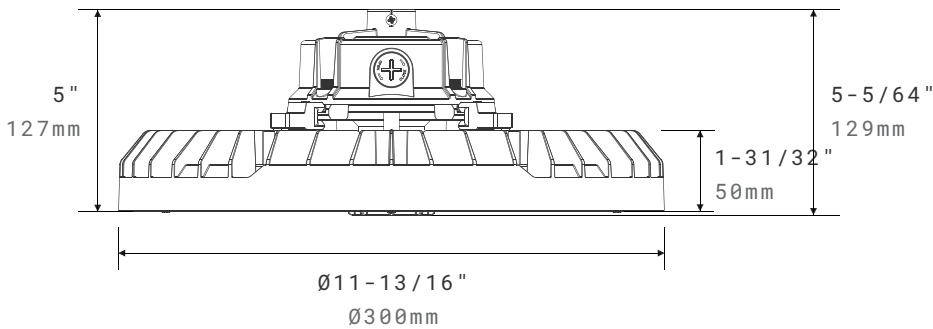
- **Dual-adjustable Settings:** Switchable wattage and CCT for flexible application tuning.
- **Robust Construction:** Die-cast aluminum housing, IK08-rated polycarbonate lens. Suitable for diverse locations and climates.
- **Optional Add-ons:** Sensors, emergency backup, and mounting accessories for enhanced functionality.
- Optional 90° or 110° beam angles with PC reflectors for precise control.

DIMENSION

Selectable 100W/120W/150W

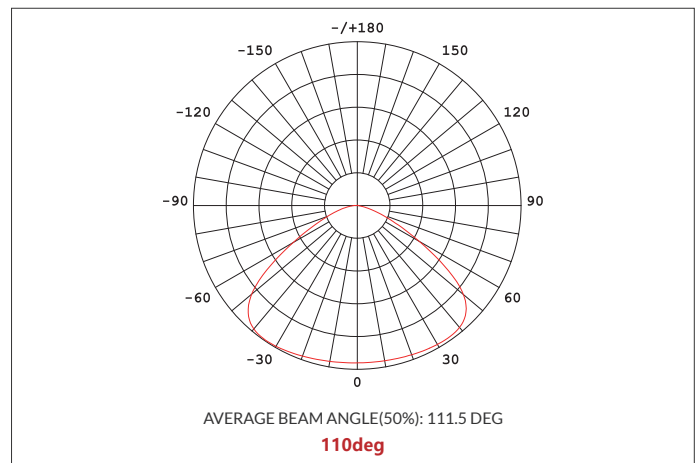
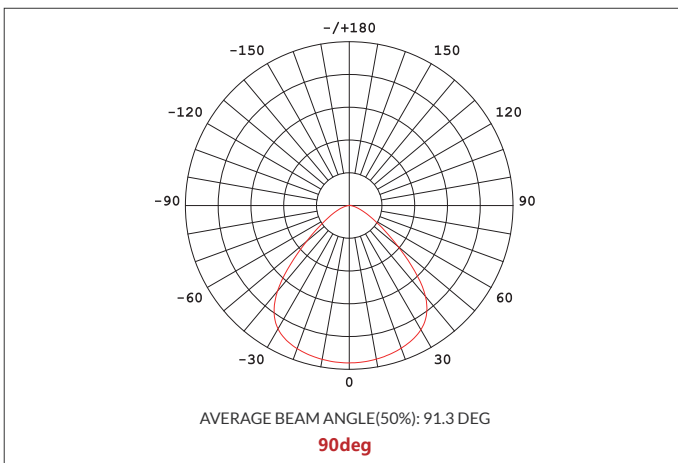


Selectable 150W/200W/240W



PHOTOMETRY

All published luminaire photometric testing performed to IESNA LM-79-08 standards by a NVLAP certified laboratory. IESNA LM-79-08 specifies the entire luminaire as the source resulting in a fixture efficiency of 100%. Results may vary per actual order.



ORDERING INFORMATION

EXAMPLE: HBG7-150SP-SW1-HK-90-BK

HBG7							
Series	Wattage	CCT	Voltage	Control	Installation	Light Distribution	Finish Color
HBG7	150SP Selectable ¹ 100W 120W 150W 240SP Selectable ² 150W 200W 240W	SW Selectable ³ 3000K 4000K 5000K	1 120-277V 6 347-480V	BLANK With sensor Receptacle ⁴	HK Hook ⁵	90 90° Standard ⁶ 110 110° Optional ⁶	BK Black ⁷

NOTE:

- 150W is default setting.
- 240W is default setting.
- 4000K is default setting.
- Please choose the desired standalone sensors in the following accessories list.
- Hook is standard. Please choose other mounting options in the following accessories list.
- 90° is standard. Please contact Customer Service for 110°. It may take long lead time.
- Black is standard. Custom color is available at an additional charge.

ACCESSORIES



HBG7-TR-BK
Trunion Mount Bracket.



HBG7-M10-PMK-BK
3/4" rigid stem pendant mount adapter.



HBG7-PCR-S
PC Reflector for 150SP.
HBG7-PCR-L
PC Reflector for 240SP.

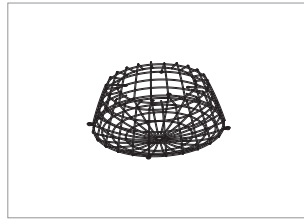


HD09VR-PH-1
Stand Alone PIR Occupancy Sensor.

ACCESSORIES



HD06R
Remote Control for sensor.



HBG7-WG-BK
Wire Guard, Black.



BLD-RM40X-YYY
40W 100-347V AC
Emergency Battery
Backup.



RN1
Remote Control
for Emergency Battery
Backup.



BMS-S6-PIR-DC1-BLE-SR-PPM
Wireless bluetooth PIR Occupancy
Sensor.

PERFORMANCE DATA

Lumen values are measured by third party certified laboratories performed in accordance with IESNA LM-79-08 as well as Lighting Facts listed.

MODEL	WATTAGE	CCT	BEAM ANGLE	LUMENS (lm)	CRI
Selectable 100W/120W/150W	150W	3000K	90°	19751lm	80
	150W	4000K	90°	21186lm	80
	150W	5000K	90°	20286lm	80
Selectable 100W/120W/150W	150W	3000K	110°	19756lm	80
	150W	4000K	110°	21191lm	80
	150W	5000K	110°	20292lm	80
Selectable 150W/200W/240W	240W	3000K	90°	31379lm	80
	240W	4000K	90°	33715lm	80
	240W	5000K	90°	32692lm	80
Selectable 150W/200W/240W	240W	3000K	110°	31385lm	80
	240W	4000K	110°	33719lm	80
	240W	5000K	110°	32695lm	80

BLUETOOTH PIR OCCUPANCY SENSOR



BMS-S6-PIR-DC1-BLE-SR-PPM

Wireless bluetooth PIR occupancy sensor with daylight harvesting capability.

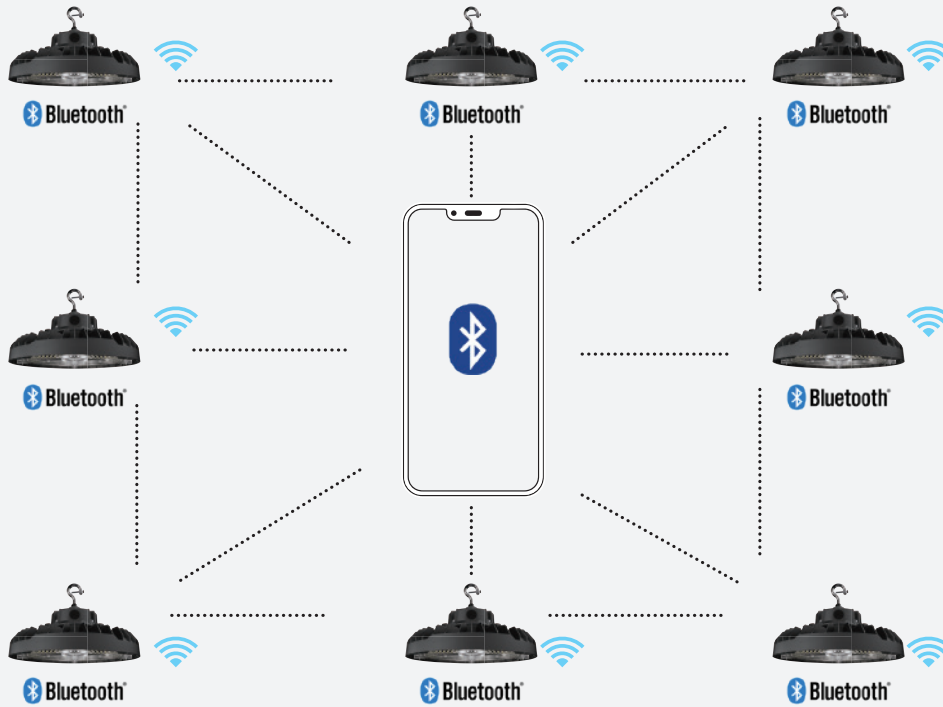


BMWS-S-D-2BT-BLE-SR

Wireless switch.

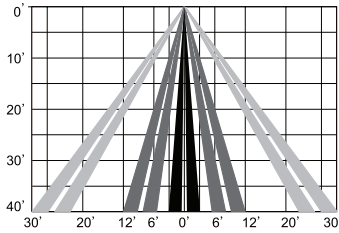
* Gateway is required for industry applications.

Bluetooth Mesh Control



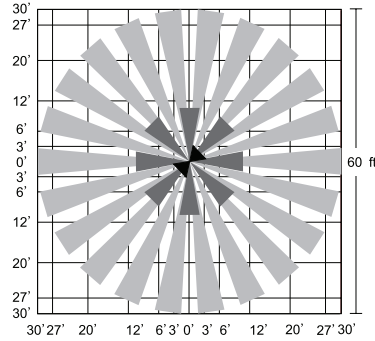
Detection Area

Coverage Side View



Max. Mounting Height 40ft

Coverage Plan View



WARRANTY

5 years limited warranty.

Specifications subject to change without notice.

Ref#: 20260408