



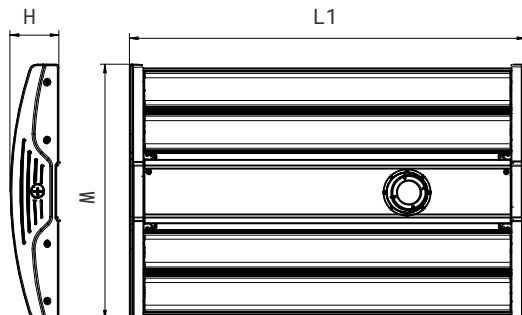
The Heavenly Linear High Bay is an attractive, durable and high efficiency solution for a variety of industrial and commercial applications. The extruded aluminum construction enables optimal thermal control and longer system life in high temperature environments as high as 150°F (65°C) ambient temperature.

FEATURES

- Textured lens options minimizes high glare.
- Achieves 150 °F (65 °C) ambient rating.
- Performs at up to 180 lm/W.
- Wattstopper sensor option available.
- 10kV surge suppression protection optional.
- Polycarbonate lens is IK10 rated.

SPECIFICATION

2FT HLHB	3FT HLHB	4FT HLHB
L1: 24.33"	L1: 34.0"	L1: 45.43"
W: 16.25"	W: 16.25"	W: 16.25"
H: 3.15"	H: 3.15"	H: 3.15"



TECHNICAL DATA

Length	2ft, 3ft, 4ft
Wattage	
2ft	65W, 100W, 135W, 175W, 210W
3ft	210W, 270W, 350W, 420W
4ft	210W, 270W, 350W, 420W
CRI	80
CCT	3000K, 3500K, 4000K, 5000K
Driver	0-10V Dimming Standard
Input Voltage	120-277V, 347/480V, 50/60Hz
Operating Temp.	-4°F to 150°F (-20°C to 65°C)
Certifications	cETLus
	Damp location
	DLC Premium ¹
	RoHs compliant
Power Factor	> 0.98 at 120Vac
Harmonic Distortion	<20%
Projected Lifetime	L70 - 144,000 Hours
IK Rating	IK10 rated
Surge Protection	Integral 6kV surge suppression protection standard
Note:	1. DLC is only for 2ft.

ORDERING INFORMATION

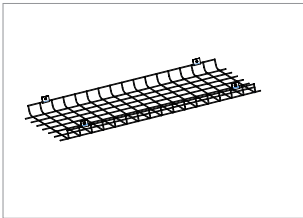
EXAMPLE: HLHB02-175501-G

HLHB								
1. Series	2. Length	3. Wattage	4. CCT	5. Voltage	6. Control	7. Distribution	8. Lens	
HLHB	02 2ft	65 65W	30 3000K	1 120-277V 6 347/480V	BLANK None MS-L7W Wattstopper Sensor with White L7 Lens ¹ EBU Emergency Battery Backup ² SRP Bluetooth Sensor Receptacle ⁶	G General ³	<i>Ordered and shipped separately⁴</i>	
		95 100W	35 3500K					PCL Polycarbonate Clear Lens ⁵ PFL Polycarbonate Frosted Lens AFL Acrylic Frosted Len ACL Acrylic Clear Lens
		135 135W	40 4000K					
		175 175W	50 5000K					
		220 210W						
		220 210W						
	03 3ft	220 210W						
		270 270W						
		350 350W						
		420 420W						
04 4ft	220 210W			N Narrow ⁴	PCL Polycarbonate ClearLens			
	270 270W							
	350 350W							
	420 420W							

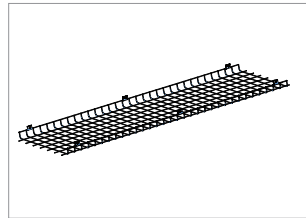
NOTE:

1. Dimming default setting is Bi-Level dim, 30% on vacancy and 100% on Occupancy. Daylight sensor is disabled by default. Bi-Level dimming levels, occupancy and daylight sensor settings are field programming.
2. Emergency battery backup is available in 16W with 2800lm and works for a minimum of ninety (90) minutes. At ambient temperatures of 32°F to 104°F (0°C to 40°C). The emergency test button is pre-installed on fixture. The EBU is Title 20 compliant. Emergency battery backup is not available for 3ft. Emergency battery backup is not available for 480V.
3. General distribution is standard. Narrow distribution is available but has MOQ requirement, please contact Customer Service if needed. Different lens for General distribution need to be ordered separately and field installed. Narrow Distribution only has PCL which will be installed on the fixture in factory.
4. Lens for general distribution are ordered and shipped separately. Please refer to the accessory table for details
5. Polycarbonate clear lens is standard. For polycarbonate frosted lens, acrylic clear and frosted lens, please contact customer service for lead time.
6. The Bluetooth PIR sensor need to be ordered separately and field installed. It is suitable for a max mounting height of 40ft Max.
7. White end cap and aluminum finish body is standard. Custom colors are available for a premium setup fee. Consult customer service for additional information.

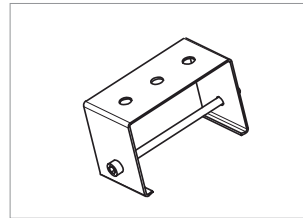
ACCESSORIES (ORDERED SEPARATELY)



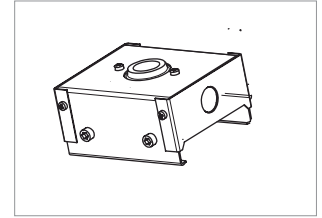
90205
 HLHB02-WG
 Wire guard for 2ft
 Heavenly linear high bay.



90206
 HLHB04-WG
 Wire guard for 4ft Heavenly
 linear high bay.



90207
 HLHB-CMK (a pair)
 Channel mounting kits for
 Heavenly linear high bay.



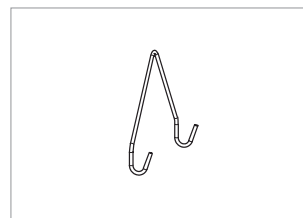
90208
 HLHB-PMK
 Pendant mounting kits for
 Heavenly linear high bay.



90308
 AC10-HK-300YF
 Aircraft cable 10' with
 lock and hook, Y-fit (a pair).



**BMS-S823-PIR-1-BLE-
 SR-O**
 Bluetooth PIR Motion
 Sensor.



N/A
 V-clip pair¹
 A pair of V-clips for
 Heavenly linear high bay.

Note:

1. V-clip mounting kits is standard and shipped together. All the other Accessories need to be ordered separately.

ACCESSORIES (ORDERED SEPARATELY)



Picture is for Twist Lock Plug

90097

L5-15P 125V 15A
Straight Plug 10ft white
(18AWGx3).

90098

L7-15P 277V 15A Twist
Lock Plug 10ft white
(18AWGx3).

90582

L24-20P 347V 20A Twist
Lock Plug 10ft white
(18AWGx3).

90583

L6-15P 250V 15A Twist
Lock Plug 10ft white
(18AWGx3).

91033

L8-20P 480V 20A Twist
Lock Plug 10ft white
(18AWGx3).



90252

HLHB04-G-PFL
4 pieces of polycarbonate
frosted lens for 4ft HLHB,
general distribution.

90255

HLHB04-G-PCL
4 pieces of polycarbonate
clear lens for 4ft HLHB,
general distribution.

90256

HLHB04-G-AFL
4 pieces of acrylic frosted
lens for 4ft HLHB, general
distribution.

90257

HLHB04-G-ACL
4 pieces of acrylic clear
lens for 4ft HLHB, general
distribution.



HLHB03-G-PFL

4 pieces of polycarbonate
frosted lens for 3ft HLHB,
general distribution.

HLHB03-G-PCL

4 pieces of polycarbonate
clear lens for 3ft HLHB ,
general distribution.

HLHB03-G-AFL

4 pieces of acrylic frosted
lens for 3ft HLHB , general
distribution.

HLHB03-G-ACL

4 pieces of acrylic clear lens
for 3ft HLHB , general
distribution.



90258

HLHB02-G-PFL
4 pieces of polycarbonate
frosted lens for 2ft HLHB,
general distribution.

90259

HLHB02-G-PCL
4 pieces of polycarbonate
clear lens for 2ft HLHB ,
general distribution.

90260

HLHB02-G-AFL
4 pieces of acrylic frosted
lens for 2ft HLHB , general
distribution.

90261

HLHB02-G-ACL
4 pieces of acrylic clear
lens for 2ft HLHB , general
distribution.

AMBIENT TEMPERATURE RATINGS

With Lens

2ft	
Nominal Wattage	Maximum Ambient
65W	150 °F (65 °C)
95W	150 °F (65 °C)
135W	150 °F (65 °C)
175W	150 °F (65 °C)
220W	140 °F (60 °C)

3ft	
Nominal Wattage	Maximum Ambient
220W	140 °F (60 °C)
270W	140 °F (60 °C)
350W	131 °F (55 °C)
420W	113 °F (45 °C)

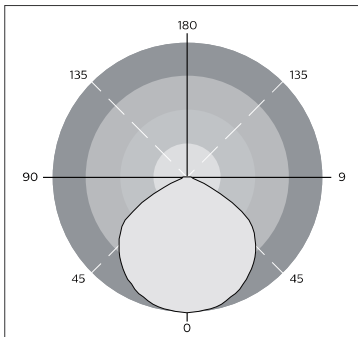
4ft	
Nominal Wattage	Maximum Ambient
220W	150 °F (65 °C)
270W	150 °F (65 °C)
350W	150 °F (65 °C)
420W	140 °F (60 °C)

PHOTOMETRY

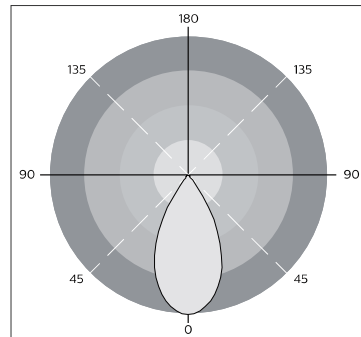
All published luminaire photometric testing performed to IESNA LM-79-08 standards by a NVLAP certified laboratory. IESNA LM-79-08 specifies the entire luminaire as the source resulting in a fixture efficiency of 100%. Results may vary per actual order.

Distribution types for reference only.

General



Narrow



PERFORMANCE DATA

Lumen values are measured by third party certified laboratories performed in accordance with IESNA LM-79-08. Lumen efficacy is based on the ambient temperature of 77°F.

Lumen Ambient Temperature (LAT) Multipliers

Use these factors to determine relative lumen output for average ambient temperature from -4°F to 150°F (-20°C to 65°C).

Ambient		Multiplier
Celsius	Fahrenheit	
0	32	1.02
25	77	1.00
40	104	0.98
50	122	0.97
60	140	0.95
65	150	0.94

Projected LED Lumen Maintenance

Data references the extrapolated performance projections for the Heavenly Linear High Bay in a 77°F ambient, (tested per IESNA LM-80-08 and projected per IESNA TM-21-11).

Operating Hours	10,000hrs	18,000hrs	35,000hrs	144,000hrs
Lumen Maintenance Factor	0.98(L98)	0.96(L96)	0.92(L92)	0.70(L70)

PERFORMANCE DATA

Lumen values are measured by third party certified laboratories performed in accordance with IESNA LM-79-08. Lumen efficacy is based on the ambient temperature of 77°F.

Lens	Lumen Multiplier
None	1
Clear Polycarbonate (PCL)	0.91
Acrylic Clear (ACL)	0.93
Polycarbonate Frosted (PFL)	0.88
Acrylic Frosted (AFL)	0.89

Without Lens

Series	Nominal Wattage	Measured Wattage	Lumen Output	CCT, Ra	Distribution	Lens	Efficacy
2FT HLHB	65W	65W	11400lm	5000K, 80	General	None	175
2FT HLHB	95W	100W	17500lm	5000K, 80	General	None	175
2FT HLHB	135W	135W	23600lm	5000K, 80	General	None	175
2FT HLHB	175W	175W	31500lm	5000K, 80	General	None	180
2FT HLHB	220W	210W	37800lm	5000K, 80	General	None	180
3FT HLHB	220W	210W	37800lm	5000K, 80	General	None	180
3FT HLHB	270W	270W	47300lm	5000K, 80	General	None	175
3FT HLHB	350W	350W	61250lm	5000K, 80	General	None	175
3FT HLHB	420W	420W	73500lm	5000K, 80	General	None	175
4FT HLHB	220W	210W	37800lm	5000K, 80	General	None	180
4FT HLHB	270W	270W	47300lm	5000K, 80	General	None	175
4FT HLHB	350W	350W	63000lm	5000K, 80	General	None	180
4FT HLHB	420W	420W	75600lm	5000K, 80	General	None	180

With Polycarbonate Clear Lens

Series	Nominal Wattage	Measured Wattage	Lumen Output	CCT, Ra	Distribution	Lens	Efficacy
2FT HLHB	65W	65W	10340lm	5000K, 80	General	PCL	159
2FT HLHB	95W	100W	15900lm	5000K, 80	General	PCL	159
2FT HLHB	135W	135W	21470lm	5000K, 80	General	PCL	159
2FT HLHB	175W	175W	28700lm	5000K, 80	General	PCL	164
2FT HLHB	220W	210W	34440lm	5000K, 80	General	PCL	164
3FT HLHB	220W	210W	34440lm	5000K, 80	General	PCL	164
3FT HLHB	270W	270W	42930lm	5000K, 80	General	PCL	159
3FT HLHB	350W	350W	55650lm	5000K, 80	General	PCL	159
3FT HLHB	420W	420W	66780lm	5000K, 80	General	PCL	159
4FT HLHB	220W	210W	34440lm	5000K, 80	General	PCL	164
4FT HLHB	270W	270W	42930lm	5000K, 80	General	PCL	159
4FT HLHB	350W	350W	57400lm	5000K, 80	General	PCL	164
4FT HLHB	420W	420W	68880lm	5000K, 80	General	PCL	164

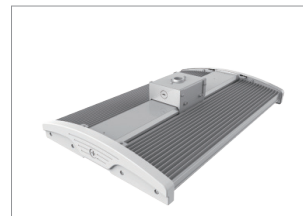


Wattstopper

Multi-level Motion Sensor.



V Hook Mounting



Pendant Mounting



Channel Mounting

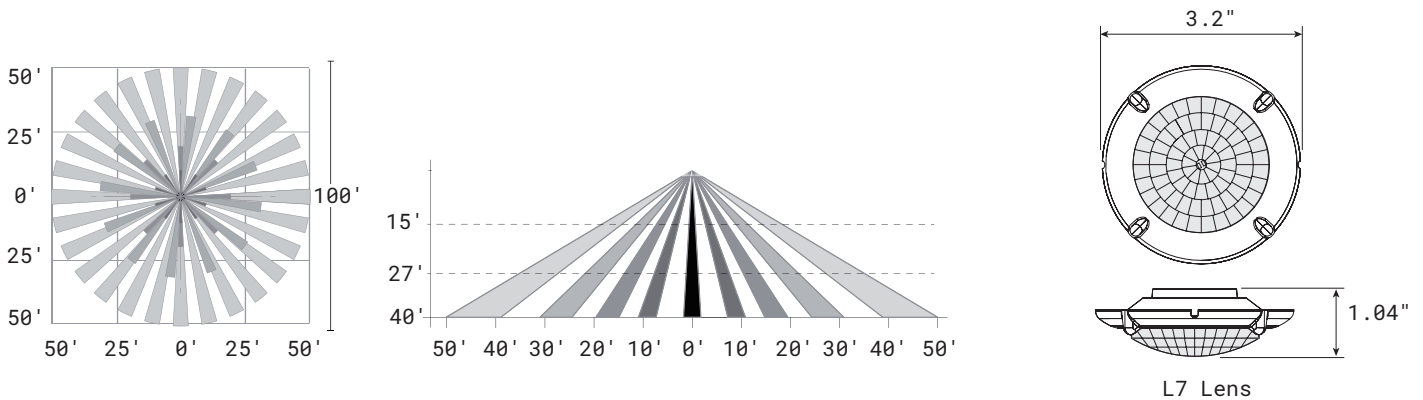
Bluetooth

Wireless PIR sensor.

MULTI-LEVEL MOTION SENSOR (MS-L7W)

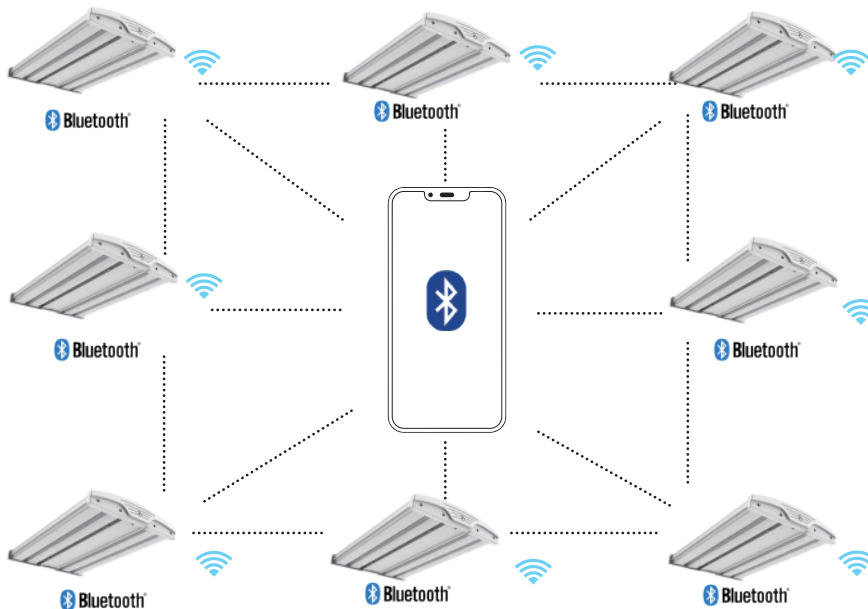
The fixture with occupancy sensor raises or lowers the electric lighting level to high, low or off based on motion and/or daylight contribution. Typical once the sensor stops detecting movement and the time delay elapses, lights will first fade to low mode, and eventually switch off. When motion is detected, the sensor ramps the light level to high mode unless the daylight contribution is sufficient. The integral photocell can also switch the lights on and off for dusk to dawn control, so that lighting remains on overnight even without motion detection.

The L7 lens provides maximum coverage of 100 feet diameter mounted at 40 feet height. Please see below drawing for lens side and top coverage and dimensionn.



BLUETOOTH PIR MOTION SENSOR

Model No.	Description
BMS-S823-PIR-1-BLE-SR-O	Wireless Bluetooth PIR occupancy sensor with daylight harvesting capability.



WIRELESS SWITCH OPTIONS



BMWS-L-D-1-3BT-
BLE-KL-WH



BMWS-L-D-5BT-
BLE-KL-WH

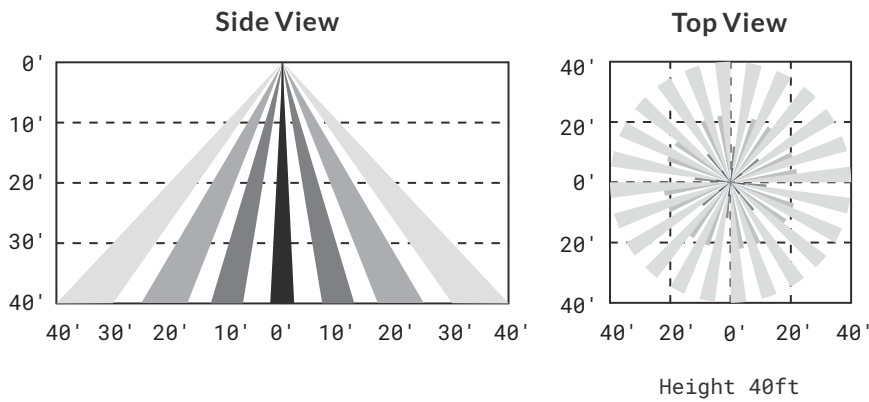


BMWS-L-D-1-7
BT-BLE-KL-WH



BMWS-L-D-8BT-
BLE-KL-WH

Detection Area



WARRANTY

5 years limited warranty.

Specifications subject to change without notice

Note:

Please refer to the instruction manual for motion sensor default setting.