



The Latitude architecture LED Troffer comes in 2ftx2ft, 1ftx4ft, and 2ftx4ft. Special vertical light guide plate design and decorative color strip option available to add visual character. Ideal for standard T-bar and narrow grid drop ceiling to replace the fluorescent troffer in offices, supermarkets, schools and other indoor applications.

TECHNICAL DATA

Wattage

2ftx2ft	Selectable 24W, 35W, 40W
1ftx4ft	Selectable 24W, 35W, 40W
2ftx4ft	Selectable 30W, 35W, 40W, 50W Selectable 50W, 60W, 72W

CCT

Selectable
3000K, 3500K, 4000K, 5000K

Driver

0-10V Dimming

CRI

80

Input Voltage

120-277V, 50/60Hz

Projected Lifetime

L70-100,000 Hours

Operating Temp.

-4°F to 104°F (-20°C to 40°C)

Certifications

ETL Listed
RoHS compliant
Suitable for damp locations

Power Factor

>0.9 at 120V

Harmonic Distortion

<20% at 120V

FEATURES

- Vertical light guide plate design.
- Wattage and CCT selectable.
- Decorative color strip option available.
- Internal motion sensor available.
- Emergency back up optional.

DIMENSION

2'X2'

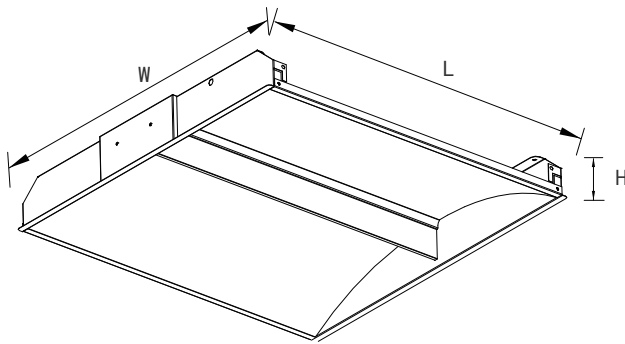
L23.74" x W23.74" x H4.13"

1'X4'

L47.76" x W11.93" x H4.13"

2'X4'

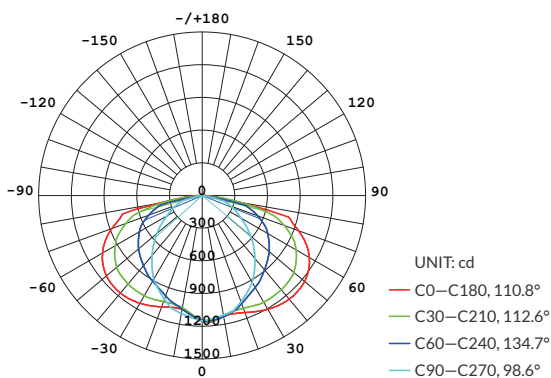
L47.76" x W23.74" x H4.13"



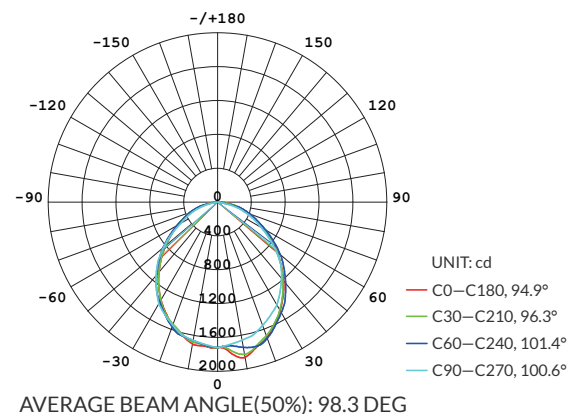
PHOTOMETRY

All published luminaire photometric testing performed to IESNA LM-79-08 standards by a NVLAP certified laboratory. IESNA LM-79-08 specifies the entire luminaire as the source resulting in a fixture efficiency of 100%. Results may vary per actual order.

With Decorative Strip



Without Decorative Strip



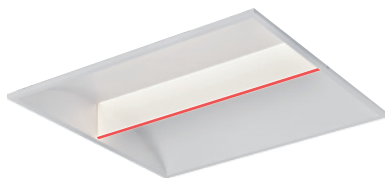
ORDERING INFORMATION

EXAMPLE: LATR-22D-40SP-SW1

LATR							
Series	Size	Dimmable	Wattage	CCT	Voltage	Control	Options
LATR	22 2'x2'	D 0-10V Driver	40SP Selectable 24W/35W/40W ¹	SW Selectable 3000K 3500K 4000K ⁴ 5000K	1 120-277V	BLANK None MS PIR Sensor EBU Emergency Battery Backup ⁵	BLANK None
	14 1'x4'	D 0-10V Driver	40SP Selectable 24W/35W/40W ¹				RS Red Strip ⁵
	24 2'x4'	D 0-10V Driver	50SP Selectable 30W/35W/40W/50W ² 72SP Selectable 50W/60W/72W ³				GS Green Strip ⁵ BS Blue Strip ⁵

NOTE:

1. 40W is default setting for 40SP.
2. 50W is default setting for 50SP.
3. 72W is default setting for 72SP.
4. 4000K is default setting.
5. Without decorative strip comes standard. Colored decorative strips have minimum order quantity. Please contact Customer Service for more details.
6. White finish is standard. Custom finish colors are available at an additional charge. Please contact Customer Service for premium options.



Red Strip



Green Strip



Blue Strip

PERFORMANCE DATA

Lumen values are measured by third party certified laboratories performed in accordance with IESNA LM-79-08 as well as Lighting Facts listed.

2'x2'

Wattage	Lumen Output	Size	CRI	CCT	LPW
24W	2500lm	2'x2'	>80	4000K	110
35W	3750lm	2'x2'	>80	4000K	110
40W	4400lm	2'x2'	>80	4000K	110

1'x4'

Wattage	Lumen Output	Size	CRI	CCT	LPW
24W	2500lm	1'x4'	>80	4000K	110
35W	3750lm	1'x4'	>80	4000K	110
40W	4400lm	1'x4'	>80	4000K	110

2'x4'

Wattage	Lumen Output	Size	CRI	CCT	LPW
30W	3300lm	2'x4'	>80	4000K	110
35W	3750lm	2'x4'	>80	4000K	110
40W	4400lm	2'x4'	>80	4000K	110
50W	5500lm	2'x4'	>80	4000K	110
60W	6900lm	2'x4'	>80	4000K	110
72W	8200lm	2'x4'	>80	4000K	110

WARRANTY

5 year limited warranty.

Specifications subject to change without notice.