



The Mack LIN Pole Light has modern rectilinear design. Pleasing to the eye, it adds architectural structure to any outdoor space. Single head or twin heads can be combined on a single pole. This impressive pole light is an excellent choice for cycling paths, walkways, entrances, promenades, plazas, courtyards, driveways, bridges, and landscaped areas.

TECHNICAL DATA

Wattage	LIN1: 30W, 40W, 50W, 60W
	LIN2: 70W, 80W, 100W, 120W
CCT	3000K, 3500K, 4000K, 5000K
Driver	0-10V Dimming
CRI	80
Input Voltage	120-277V, 50/60Hz
Projected Lifetime	L70-100,000 Hours
Operating Temp.	-40°F to 104°F (-40°C to 40°C)
Certifications	cETL Listed
	RoHS compliant
Power Factor	>0.9
Harmonic Distortion	<20% at full load
Surge protection	10KV
IP Rating	IP65
EPA (pole is not included)	1.76ft ² (Single head)
	3.52ft ² (Double head)
Net Weight	LIN1: 12.4lbs (5.64kg)
	LIN2: 15.1lbs (6.85kg)

Mack Bollard Series



MBD



MBD-LB



MBD-WB



MBD-STB

FEATURES

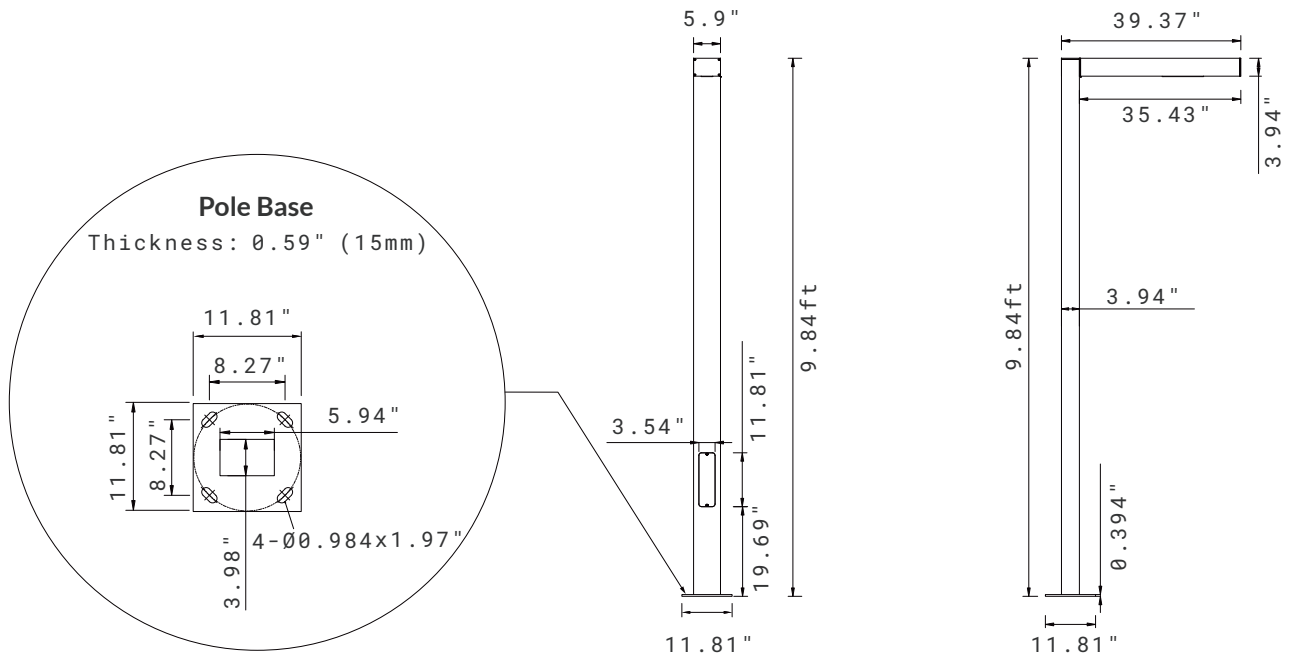
- Modern rectilinear design.
- Aluminum extrusion head and pole.
- Galvanized iron anchor bolts.
- Vandal resistant polycarbonate clear lens.
- Single head or twin heads mounted.
- IP65 rated for wet location.
- Photocontrol & PIR sensors available.

DIMENSION

H: 9.84ft Side View

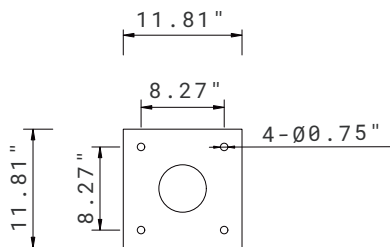
Single Head Mount

Pole Wall Thickness: 0.118" (3mm)



Anchor Bolt Plate

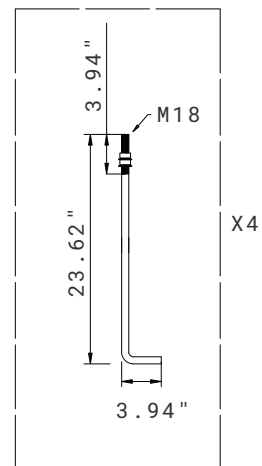
Use caution when setting anchor bolts. Bolts must be vertically straight and centered on dimensions shown.



Thickness: 0.06" (1.5mm)

Note: Adequate drainage must be provided in concrete foundation.

Anchor Bolt Detail

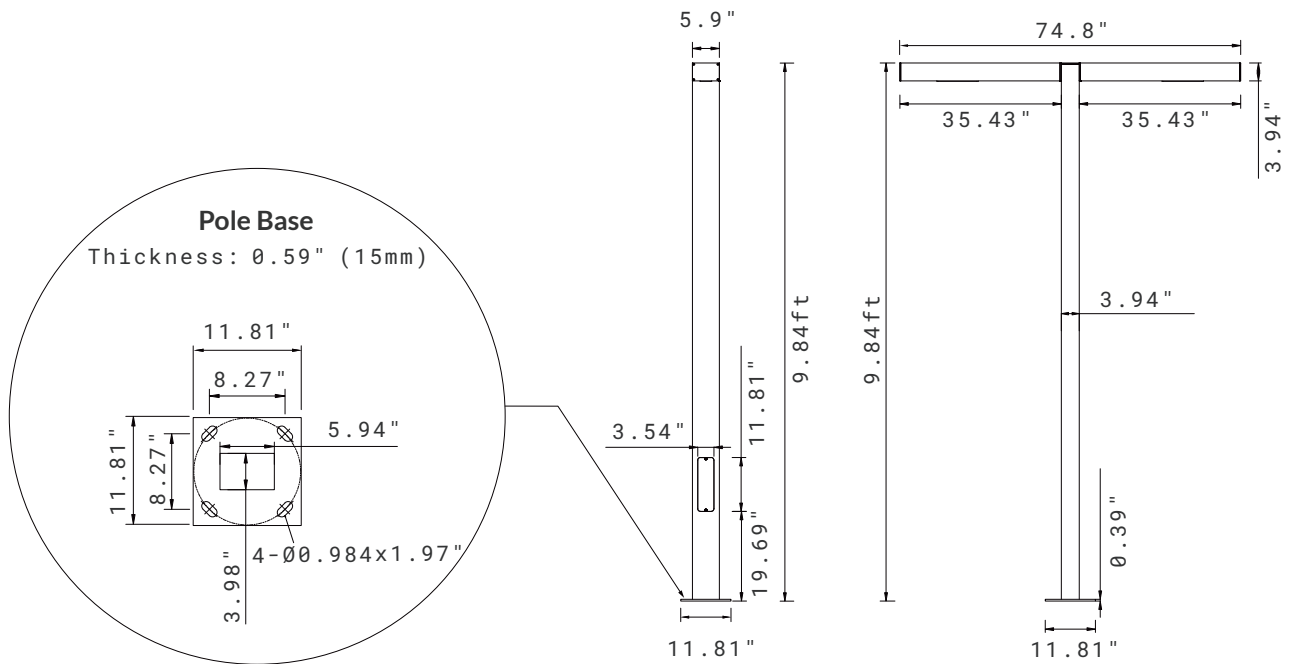


DIMENSION

H: 9.84ft Side View

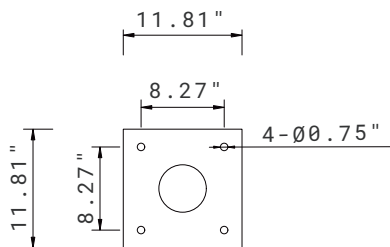
Double Heads Mount

Pole Wall Thickness: 0.118" (3mm)



Anchor Bolt Plate

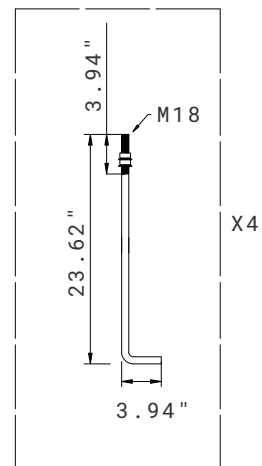
Use caution when setting anchor bolts. Bolts must be vertically straight and centered on dimensions shown.



Thickness: 0.06" (1.5mm)

Note: Adequate drainage must be provided in concrete foundation.

Anchor Bolt Detail

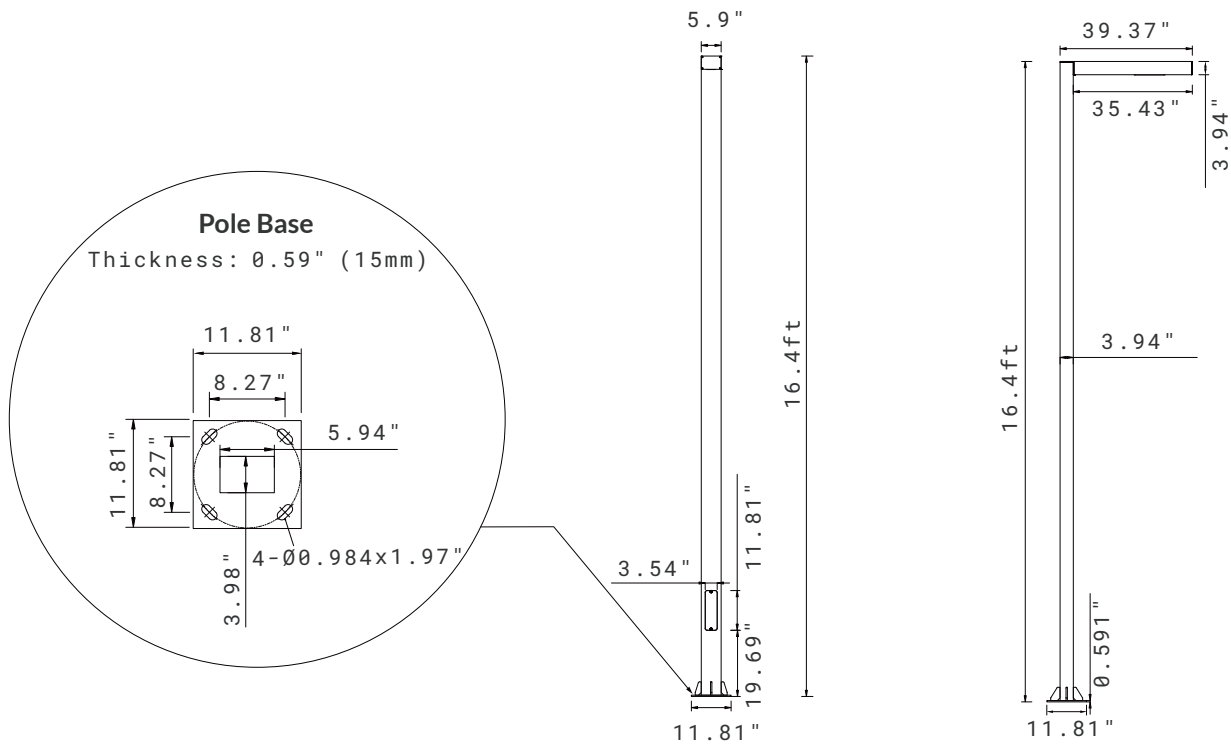


DIMENSION

H: 16.4ft Side View

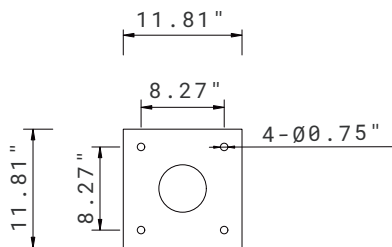
Single Head Mount

Pole Wall Thickness: 0.118" (3mm)



Anchor Bolt Plate

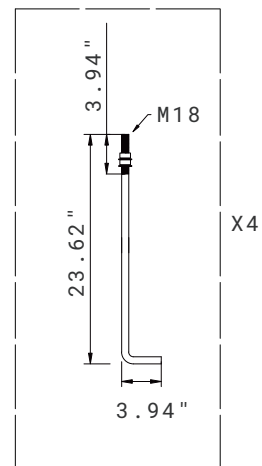
Use caution when setting anchor bolts. Bolts must be vertically straight and centered on dimensions shown.



Thickness: 0.06" (1.5mm)

Note: Adequate drainage must be provided in concrete foundation.

Anchor Bolt Detail

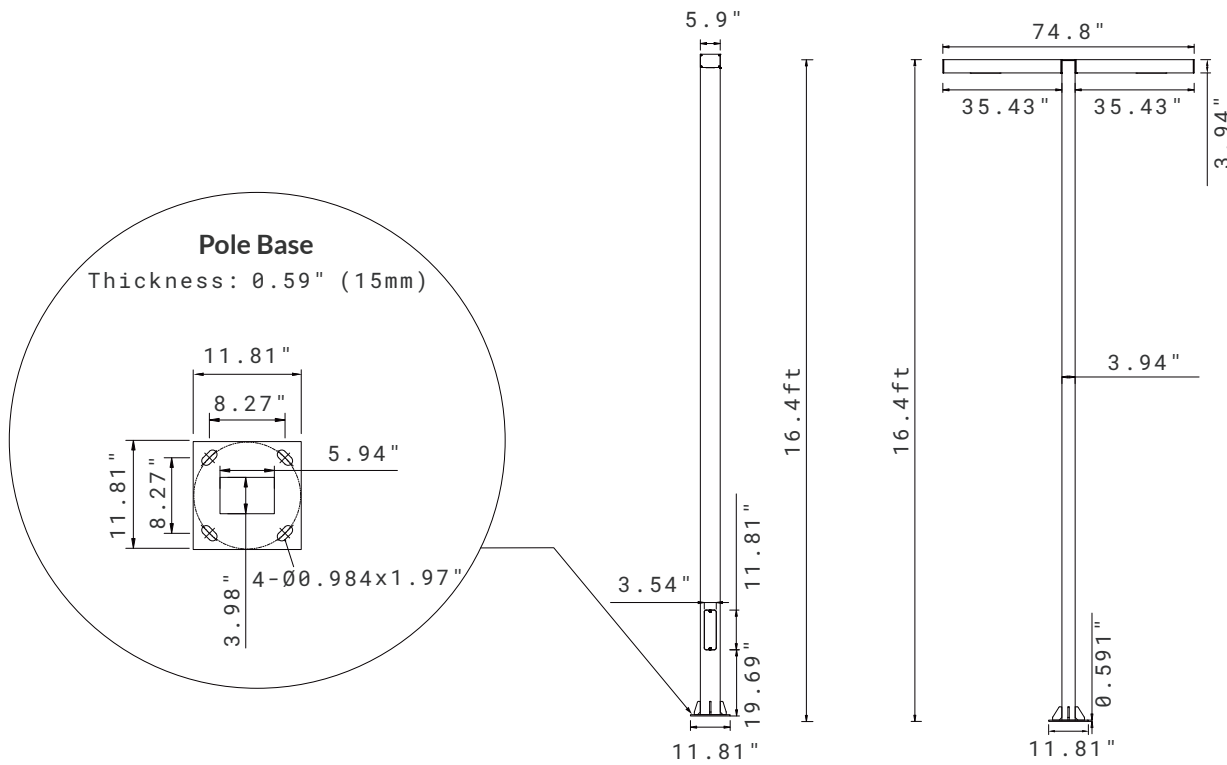


DIMENSION

H: 16.4ft Side View

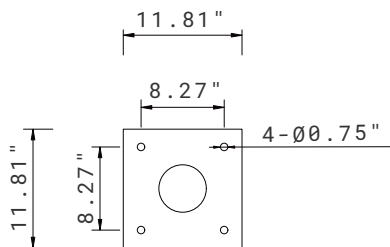
Double Heads Mount

Pole Wall Thickness: 0.118" (3mm)



Anchor Bolt Plate

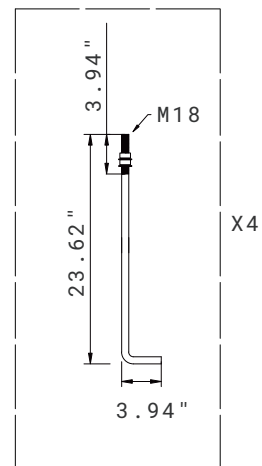
Use caution when setting anchor bolts. Bolts must be vertically straight and centered on dimensions shown.



Thickness: 0.06" (1.5mm)



Note: Adequate drainage must be provided in concrete foundation.

Anchor Bolt Detail



ORDERING INFORMATION

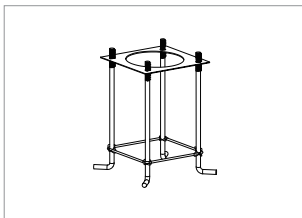
EXAMPLE: LIN1-3030801-V-BK

LIN1							
Series	Wattage	CCT	CRI	Driver ¹	Options	Distribution	Finish
LIN1 	30 30W	30 3000K	80 80Ra	1 120-277V 0-10V Dimming 10KV SPD	BLANK None	II Type II	BK² Black ² RAL#9005
	40 40W	35 3500K			PC Photocontrol	III Type III	BR² Bronze ² RAL#8019
	50 50W	40 4000K			7P 7Pin Receptacle	IV Type IV	
	60 60W	50 5000K			MS PIR Sensor	V Type V	
LIN2 	70 80W	30 3000K	80 80Ra	1 120-277V 0-10V Dimming 10KV SPD	BLANK None	II Type II	BK² Black ² RAL#9005
	80 80W	35 3500K			PC Photocontrol	III Type III	BR² Bronze ² RAL#8019
	100 100W	40 4000K			7P 7Pin Receptacle	IV Type IV	
	120 120W	50 5000K			MS PIR Sensor	V Type V	

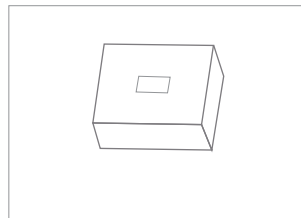
NOTES:

- 347V is available. Please contact Customer Service for it. Drivers need to be installed inside the pole at the top on site. Please refer to the instruction manual for more details.
- Standard finish is black and bronze. Custom colors available at an additional fee. Please check with Customer Service for more information.

ACCESSORIES (ORDERED SEPARATELY)

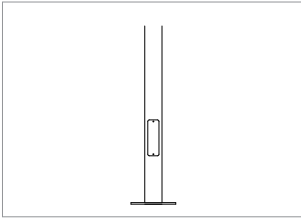


ABMK-LIN-M18-8.27
Galvanized Anchor bolts mounting kits for Mack Lin Pole. Mounting hole 8.27"x8.27", M18x23.62"(600mm)



LIN-PCB-BK
Pole Base Cover for 5.9" x 3.94" square pole, Black.

ACCESSORIES (ORDERED SEPARATELY)



LIN1-ALSP-10FT-0.118-BK
 Aluminum square pole for Single Head,
 0.118" (3mm) thickness, 9.84ft height, Black.
 Pole Base 11.81"x11.81"

LIN2-ALSP-10FT-0.118-BK
 Aluminum square pole for Double Heads,
 0.118" (3mm) thickness, 9.84ft height, Black.
 Pole Base 11.81"x11.81"

LIN1-ALSP-16FT-0.118-BK
 Aluminum square pole for Single Head,
 0.118" (3mm) thickness, 16.4ft height, Black.
 Pole Base 11.81"x11.81"

LIN2-ALSP-16FT-0.118-BK
 Aluminum square pole for Double Heads,
 0.118" (3mm) thickness, 16.4ft height, Black.
 Pole Base 11.81"x11.81"

**Pole height and finish color can be customized.*

POLE DATA CHART

Pole Height	Wall Thickness	Pole Dimension(LxW)	Pole Material	Pole EPA	Max Basic Wind Speed
9.84ft	0.118" (3mm)	5.9" x 3.94"	Aluminum	5.17ft ²	180 mph
16.4ft	0.118" (3mm)	5.9" x 3.94"	Aluminum	8.59ft ²	170 mph

NOTE:

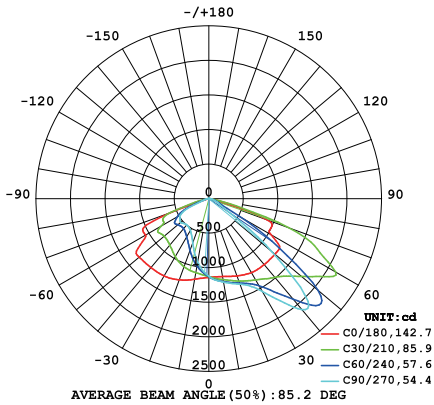
1. The wind speed datas are based on allowable design wind speed (VASD).
2. Rated performance is dependant upon the pole being properly attached to a supporting foundation of adequate design.

FIXTURE HEAD CONFIGURATIONS

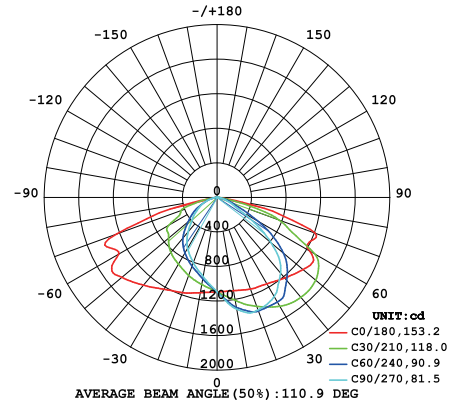


PHOTOMETRY (LIN1)

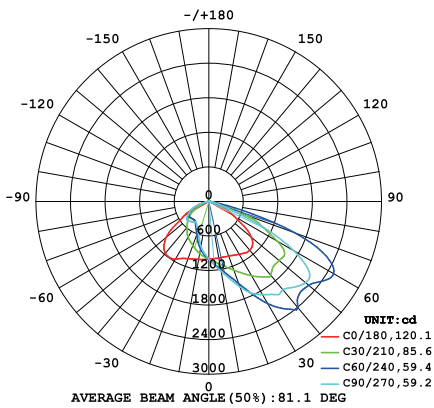
All published luminaire photometric testing performed to IESNA LM-79-08 standards by a NVLAP certified laboratory. IESNA LM-79-08 specifies the entire luminaire as the source resulting in a fixture efficiency of 100%. Results may vary per actual order.



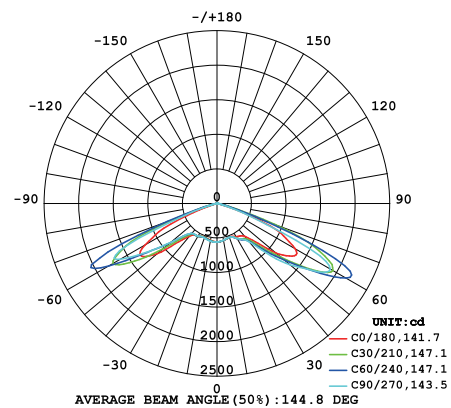
Type II



Type III



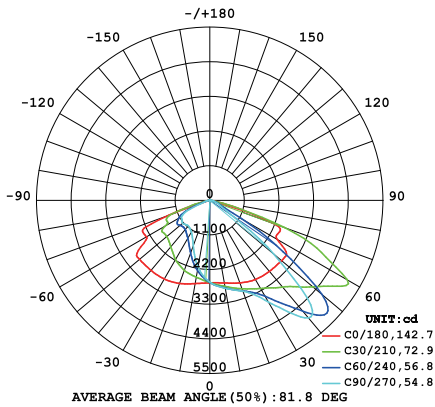
Type IV



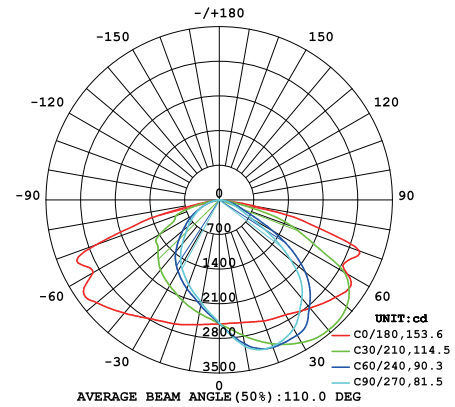
Type V

PHOTOMETRY (LIN2)

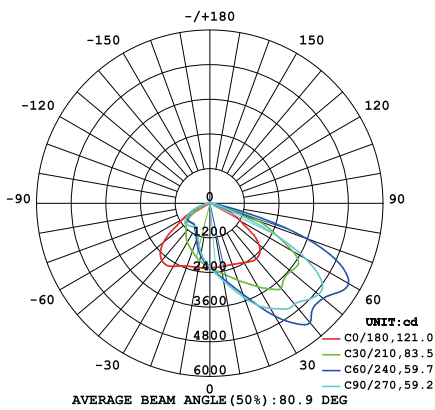
All published luminaire photometric testing performed to IESNA LM-79-08 standards by a NVLAP certified laboratory. IESNA LM-79-08 specifies the entire luminaire as the source resulting in a fixture efficiency of 100%. Results may vary per actual order.



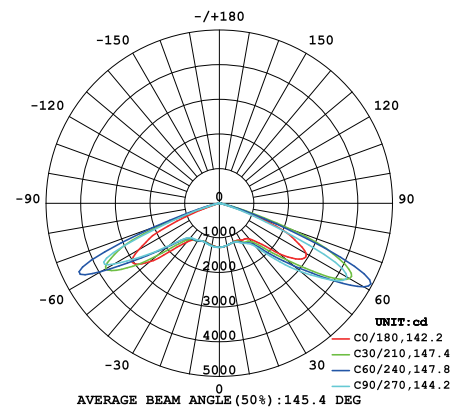
Type II



Type III



Type IV



Type V

PERFORMANCE DATA

Lumen values are measured by third party certified laboratories performed in accordance with IESNA LM-79-08 as well as Lighting Facts listed.

LIN1

Nominal Wattage	Lumen Output	CCT	Distribution Type	CRI
30W	4493lm	3000K	Type II	80
30W	4077lm	3000K	Type III	80
30W	4599lm	3000K	Type IV	80
30W	4422lm	3000K	Type V	80
40W	5659lm	3000K	Type II	80
40W	5212lm	3000K	Type III	80
40W	5832lm	3000K	Type IV	80
40W	5612lm	3000K	Type V	80
50W	6726lm	3000K	Type II	80
50W	6132lm	3000K	Type III	80
50W	6961lm	3000K	Type IV	80
50W	6720lm	3000K	Type V	80
60W	7888lm	3000K	Type II	80
60W	7145lm	3000K	Type III	80
60W	7935lm	3000K	Type IV	80
60W	7699lm	3000K	Type V	80

LIN2

Nominal Wattage	Lumen Output	CCT	Distribution Type	CRI
70W	10227lm	3000K	Type II	80
70W	9274lm	3000K	Type III	80
70W	10288lm	3000K	Type IV	80
70W	9975lm	3000K	Type V	80
80W	11156lm	3000K	Type II	80
80W	10222lm	3000K	Type III	80
80W	11496lm	3000K	Type IV	80
80W	11174lm	3000K	Type V	80
100W	13478lm	3000K	Type II	80
100W	12156lm	3000K	Type III	80
100W	13796lm	3000K	Type IV	80
100W	13453lm	3000K	Type V	80
120W	15515lm	3000K	Type II	80
120W	13933lm	3000K	Type III	80
120W	15535lm	3000K	Type IV	80
120W	15611lm	3000K	Type V	80

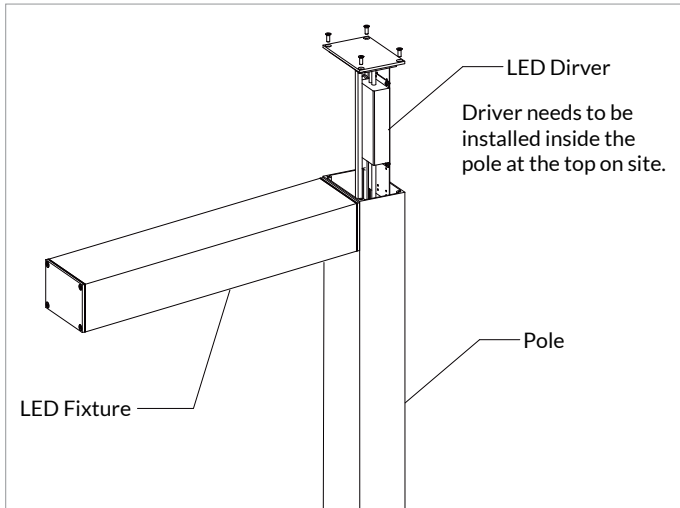
BUG RATING TABLE

Performed to IESNA LM-79-08 standards by a NVLAP accredited laboratory.

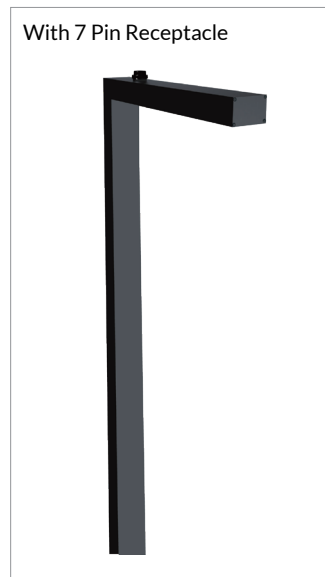
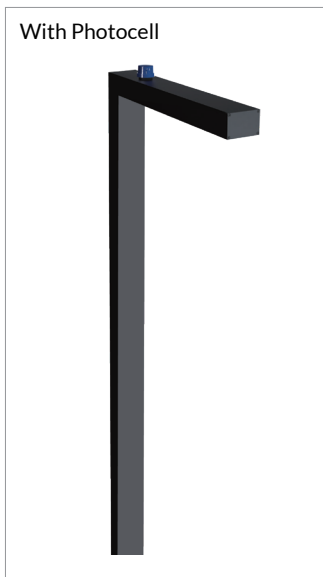
Model	BUG Rating
LIN1-3030801-II-BK	B1-U0-G0
LIN1-3030801-III-BK	B1-U0-G1
LIN1-3030801-IV-BK	B1-U0-G1
LIN1-3030801-V-BK	B2-U0-G1
LIN1-4030801-II-BK	B2-U0-G0
LIN1-4030801-III-BK	B2-U0-G1
LIN1-4030801-IV-BK	B1-U0-G1
LIN1-4030801-V-BK	B3-U0-G1
LIN1-5030801-II-BK	B2-U0-G1
LIN1-5030801-III-BK	B2-U0-G1
LIN1-5030801-IV-BK	B1-U0-G1
LIN1-5030801-V-BK	B3-U0-G1
LIN1-6030801-II-BK	B2-U0-G1
LIN1-6030801-III-BK	B2-U0-G1
LIN1-6030801-IV-BK	B2-U0-G1
LIN1-6030801-V-BK	B3-U0-G1

Model	BUG Rating
LIN2-7030801-II-BK	B2-U0-G1
LIN2-7030801-III-BK	B2-U0-G1
LIN2-7030801-IV-BK	B2-U0-G2
LIN2-7030801-V-BK	B3-U0-G2
LIN2-8030801-II-BK	B2-U0-G1
LIN2-8030801-III-BK	B2-U0-G1
LIN2-8030801-IV-BK	B2-U0-G2
LIN2-8030801-V-BK	B3-U0-G2
LIN2-10030801-II-BK	B3-U0-G1
LIN2-10030801-III-BK	B3-U0-G1
LIN2-10030801-IV-BK	B2-U0-G2
LIN2-10030801-V-BK	B4-U0-G2
LIN2-12030801-II-BK	B3-U0-G1
LIN2-12030801-III-BK	B3-U0-G2
LIN2-12030801-IV-BK	B3-U0-G2
LIN2-12030801-V-BK	B4-U0-G2

DRIVER MOUNT SKETCH



CONTROL OPTIONS



WARRANTY

5 years limited warranty.

Specifications subject to change without notice.